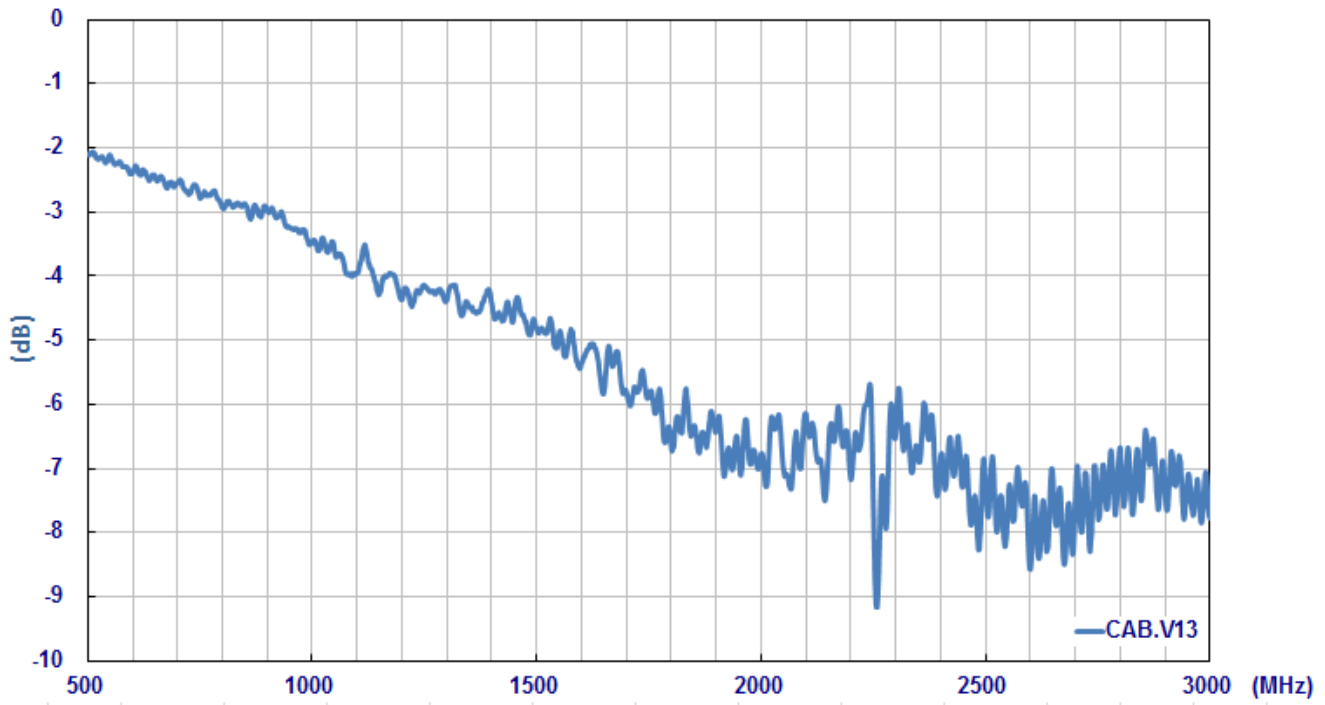


## SPECIFICATION

- Part No. : **CAB.V13**
- Product Name : Taoglas Cable Assembly  
NMO Direct Mount - 3/4 inch Hole Brass Mount type to  
FME(F) Straight Jack  
with 17ft(5182mm) RG-58U cable
- Photo :

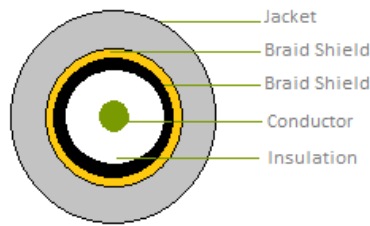


## 1. Cable Insertion Loss

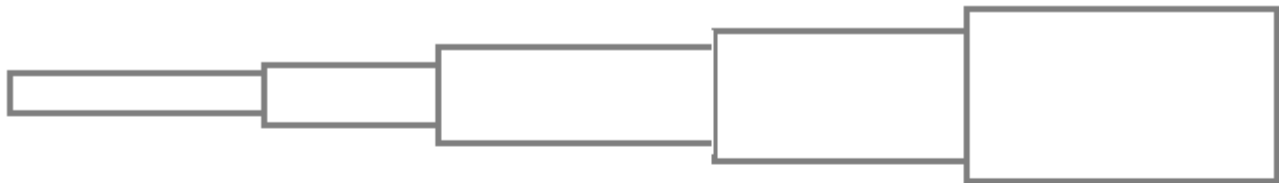


## 2. RG-58 Cable Specification

### 2.1 Drawing – Cross Section



### 2.2 Structure and Dimensions



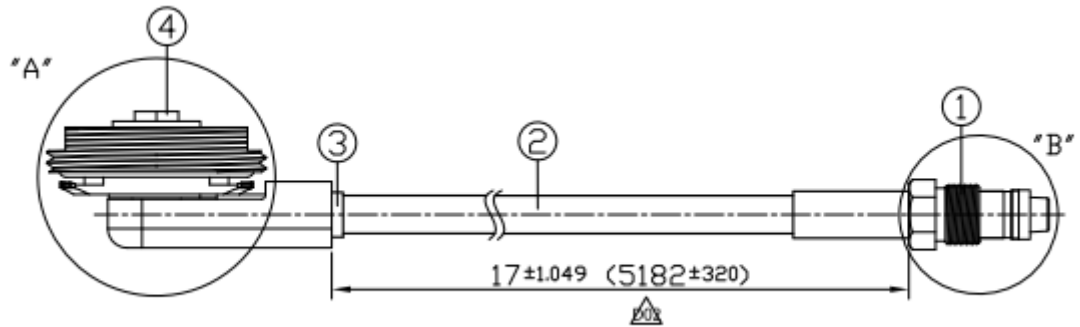
Conductor	Insulation	Braid Shield	Braid Shield	Jacket
<ul style="list-style-type: none"> <li>Material – Bare Copper Wire</li> <li>Composition (1/1.02 mm)</li> <li>Diameter – 1.02mm</li> </ul>	<ul style="list-style-type: none"> <li>Material – Foam Polyethylene</li> <li>Avg. Thickness- 0.95mm</li> <li>Diameter – 2.9 ± 0.1mm</li> </ul>	<ul style="list-style-type: none"> <li>Material–Aluminium Foil</li> <li>Construction – 0.020mm</li> </ul>	<ul style="list-style-type: none"> <li>Material–Tinned-Copper Wire</li> <li>Structure – 16/6/0.12mm</li> <li>Coverage – 87%</li> <li>Diameter – 3.4 ± 0.05mm</li> </ul>	<ul style="list-style-type: none"> <li>Material – RoHS PVC</li> <li>Diameter – 5.0 ± 0.15mm</li> <li>Colour – Black</li> </ul>

### 2.3 Electrical & Physical Specification

Insulation Resistance:	1000 MΩ-Km (Min)				
Capacitance	83 ± 3 pF/m				
Nom. Impedance	53 ± 3 Ω				
Attenuation (dB/100ft)	200MHz	400MHz	700MHz	900MHz	1000MHz
	4.66	6.32	8.45	9.67	10.2

### 3. Technical Drawing

#### 3.1 CAB.V13



	Name	Material	Finish	QTY
1	FME(F) ST	Brass	Ni Plated	1
2	RG58 Coaxial Cable	PVC	Black	1
3	Heat Shrink Tube	PE	Black	1
4	NMO(DM)	Brass	Gold	1

### 3.2 Connectors

