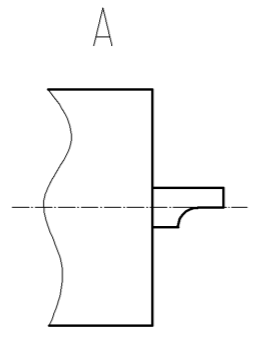
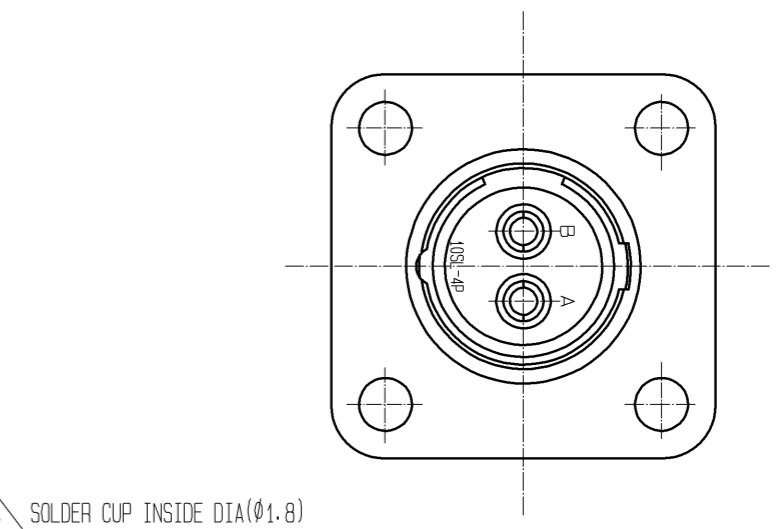
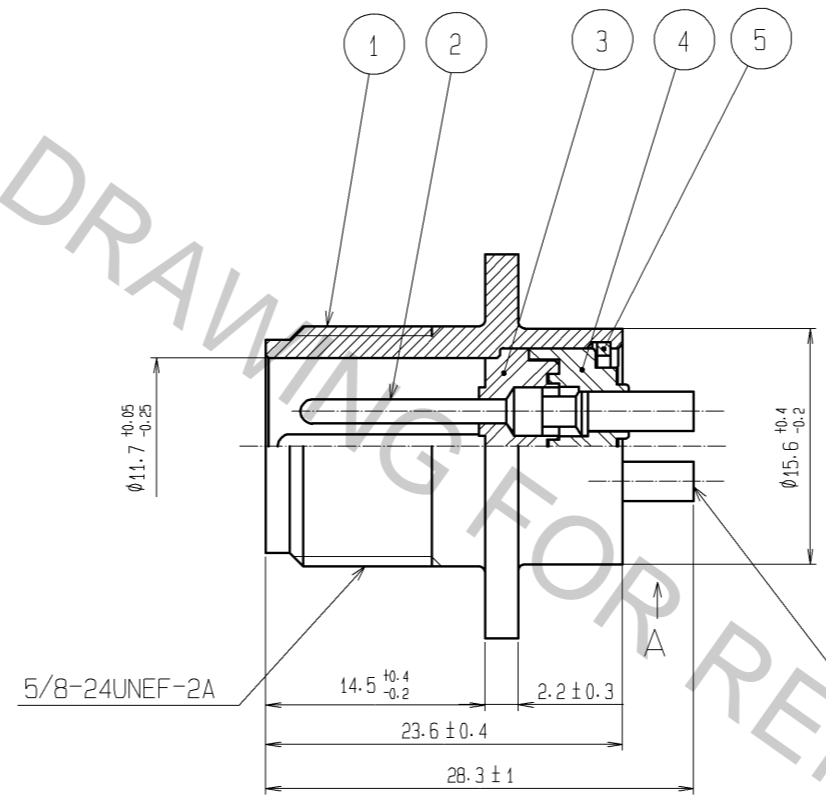
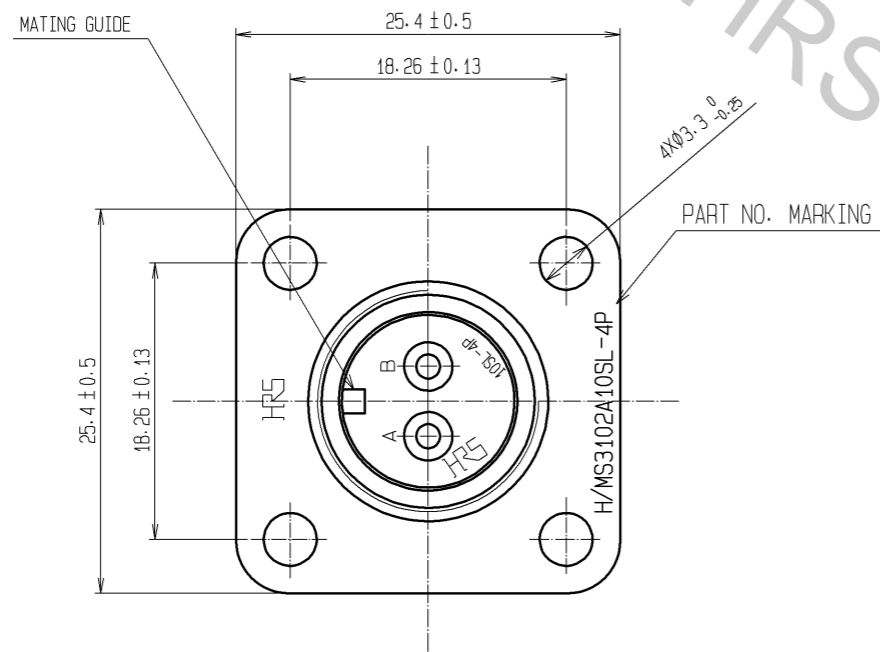


Aug.1.2018 Copyright 2018 HIROSE ELECTRIC CO., LTD. All Rights Reserved.  
 In case that the application demands a high level of reliability, such as automotive,  
 please contact a company representative for further information.



3	SILICONE RUBBER	(BLACK)						
2	BRASS	SILVER PLATING 2#m min.	5	PHOSPHOR BRONZE	NICKEL PLATING			
1	ALUMINUM ALLOY	BLACK CHROMATE TREATMENT(Cr3)	4	POLYBUTYLENE TEREPHTHALATE	(BLACK) UL94V-0			
NO.	MATERIAL	FINISH . REMARKS	NO.	MATERIAL	FINISH . REMARKS			
UNITS mm			SCALE 2 : 1	COUNT 	DESCRIPTION OF REVISIONS	DESIGNED	CHECKED	DATE
<b>HRS</b> HIROSE ELECTRIC CO., LTD.		APPROVED : SU. OBARA	11. 01. 06	DRAWING NO. EDC3-041890-73				
		CHECKED : HY. KISHI	11. 01. 06	PART NO. H/MS3102A10SL-4P(73)				
		DESIGNED : WR. AJIRO	11. 01. 06	CODE NO. CL120-0111-4-73				
		DRAWN : WR. AJIRO	11. 01. 06					