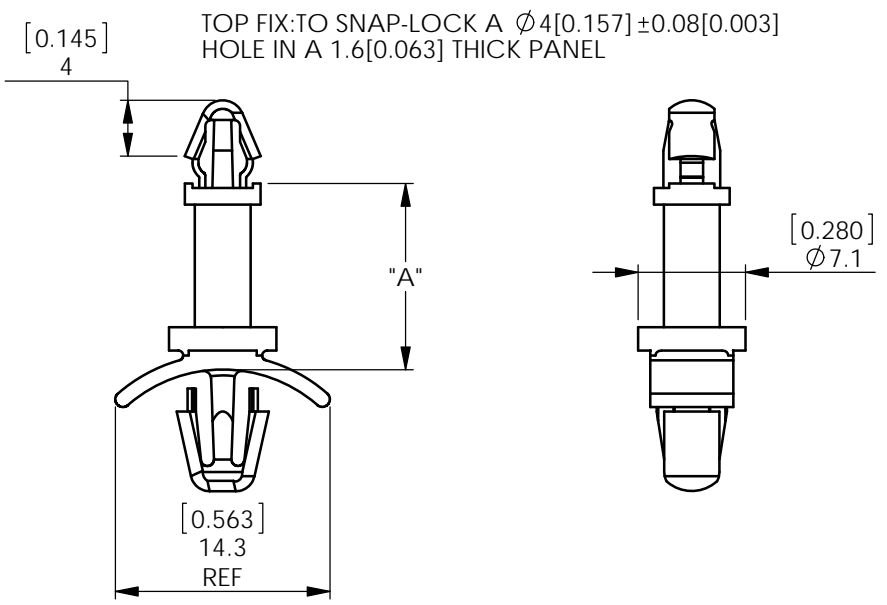


REV.	MODIFICATION.	DATE	DRN
05	CO2011093	24/02/11	SF
06	CO2011219	07/12/11	SF



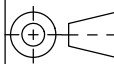
TOP FIX: TO SNAP-LOCK A $\phi 4[0.157] \pm 0.08[0.003]$
HOLE IN A 1.6[0.063] THICK PANEL

BOTTOM FIX: TO SNAP-LOCK A $\phi 4.75[0.187] \pm 0.08[0.003]$
HOLE IN A 0.8-2.0 [0.031-0.079] THICK PANEL

PART NUMBER		DIM "A"
NYLON 6/6 UL94-V2(RMS-01) COLOUR: NATURAL	NYLON 6/6 UL94-V0(RMS-19) COLOUR: NATURAL	
LCBS-7-3-01	LCBS-7-3-19	4.8[.189]
LCBS-7-4-01	LCBS-7-4-19	6.4[.252]
LCBS-7-5-01	LCBS-7-5-19	7.9[.311]
LCBS-7-6-01	LCBS-7-6-19	9.5[.374]
LCBS-7-7-01	LCBS-7-7-19	11.1[.437]
LCBS-7-8-01	LCBS-7-8-19	12.7[.500]
LCBS-7-10-01	LCBS-7-10-19	15.9[.626]
LCBS-7-12-01	LCBS-7-12-19	19.1[.752]
LCBS-7-14-01	LCBS-7-14-19	22.2[.874]
LCBS-7-16-01	LCBS-7-16-19	25.4[1.00]
LCBS-7-18-01	LCBS-7-18-19	28.6[1.126]
LCBS-7-20-01	LCBS-7-20-19	31.8[1.252]
LCBS-7-22-01	LCBS-7-22-19	34.9[1.374]
BLACK AVAILABLE BY SPECIAL ORDER ADD -BK TO END OF PART NUMBER		

ALTERNATE UNITS FOR REFERENCE ONLY

INFORMATION CONTAINED IN THIS DOCUMENT IS CONFIDENTIAL TO RICHCO INTERNATIONAL Co. Ltd. AND MAY NOT BE DISCLOSED OR REPRODUCED IN WHOLE OR PART WITHOUT THEIR WRITTEN CONSENT.

RICHCO, INC. WWW.RICHCO-INC.COM	ALL DIMENSIONS IN mm[inches] GENERAL TOLERANCES ± 0.25 UNLESS OTHERWISE STATED 1 DECIMAL PLACE \pm 2 DECIMAL PLACES \pm ANGULAR $\pm 1^\circ$	THIRD ANGLE 
	MATERIAL: SEE TABLE	

COLOUR: SEE TABLE

DESCRIPTION: LOCKING CIRCUIT BOARD SUPPORT	PART No: SEE TABLE
-----------------------------------------------	-----------------------

DRG No: 100-0701	NPR No: N/A	SHEET SIZE A4
---------------------	----------------	------------------

DRN SF	DATE 23/02/11	CHKD JK	DATE 24/02/11	SCALE NTS	SHEET No. 1 OF 1
-----------	------------------	------------	------------------	--------------	---------------------