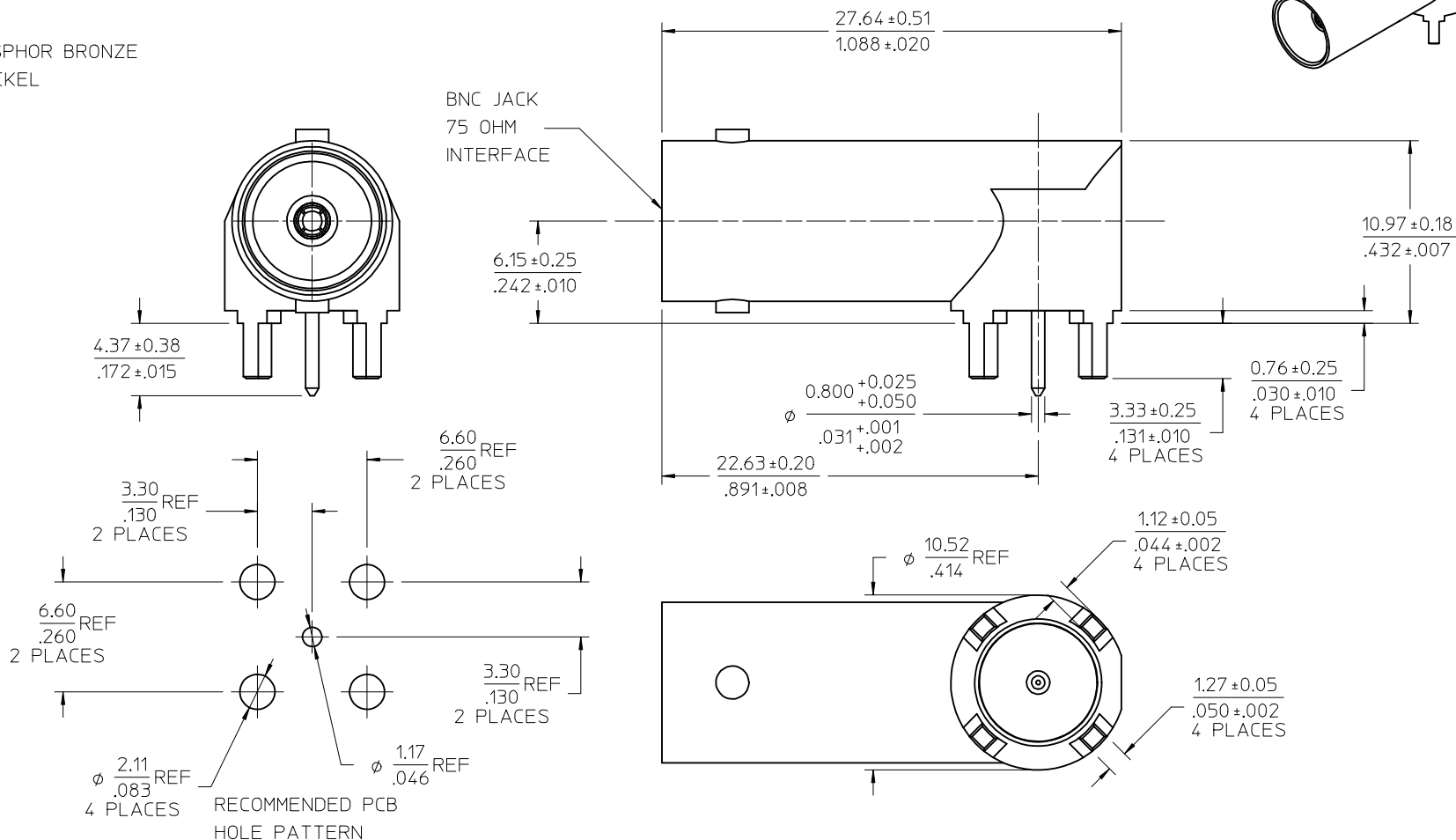
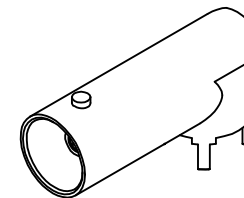


MATERIALS AND FINISHES

BODY ZINC
PLATED SEE TABLE

CENTER CONTACT PHOSPHOR BRONZE
PLATED GOLD OVER NICKEL

INSULATOR TEFLON



PS-89675-2020	PRODUCT SPECIFICATION
SPECIFICATION	DESCRIPTION

73171-1641	NICKEL
73171-1640	BRIGHT TIN OVER NICKEL
PART NO.	PLATING

CHG: ADDED 3GHZ TO TITLE BLOCK	EC NO: URF2009-0340	2008/12/19
DRWN: WIENER	2008/12/19	
CHKD: SSHAH	2008/12/19	
APPR: WIENER	2008/12/19	
REV	A3	

QUALITY SYMBOLS	$\nabla=0$ $\nabla=0$
DESCRIPTION	

GENERAL TOLERANCES (UNLESS SPECIFIED)	<table border="1"> <tr> <th></th> <th>mm</th> <th>INCH</th> </tr> <tr> <td>4 PLACES</td> <td>$\pm .005$</td> <td>$\pm .0005$</td> </tr> <tr> <td>3 PLACES</td> <td>$\pm .005$</td> <td>$\pm .0005$</td> </tr> <tr> <td>2 PLACES</td> <td>$\pm .005$</td> <td>$\pm .0005$</td> </tr> <tr> <td>1 PLACE</td> <td>$\pm .005$</td> <td>$\pm .0005$</td> </tr> </table>		mm	INCH	4 PLACES	$\pm .005$	$\pm .0005$	3 PLACES	$\pm .005$	$\pm .0005$	2 PLACES	$\pm .005$	$\pm .0005$	1 PLACE	$\pm .005$	$\pm .0005$
	mm	INCH														
4 PLACES	$\pm .005$	$\pm .0005$														
3 PLACES	$\pm .005$	$\pm .0005$														
2 PLACES	$\pm .005$	$\pm .0005$														
1 PLACE	$\pm .005$	$\pm .0005$														
ANGULAR	$\pm 2^\circ$															
DRAFT WHERE APPLICABLE	MUST REMAIN WITHIN DIMENSIONS															

DIMENSION STYLE	MM/IN
DRAWN BY	SSS
DATE	2001/10/18
CHECKED BY	TEF
DATE	2001/10/18
APPROVED BY	GMH
DATE	2001/10/18
MATERIAL NO.	SEE TABLE
SIZE	C

SCALE	DESIGN UNITS	THIRD ANGLE PROJECTION
	METRIC	
TITLE		
BNC JACK R/A PCB		
75 OHMS 3GHZ		
BNC-J/RA/PCB EWR-1520		
MOLEX INCORPORATED		
DOCUMENT NO.	SD-73171-164	SHEET NO.
		1 OF 1
THIS DRAWING CONTAINS INFORMATION THAT IS PROPRIETARY TO MOLEX INCORPORATED AND SHOULD NOT BE USED WITHOUT WRITTEN PERMISSION		