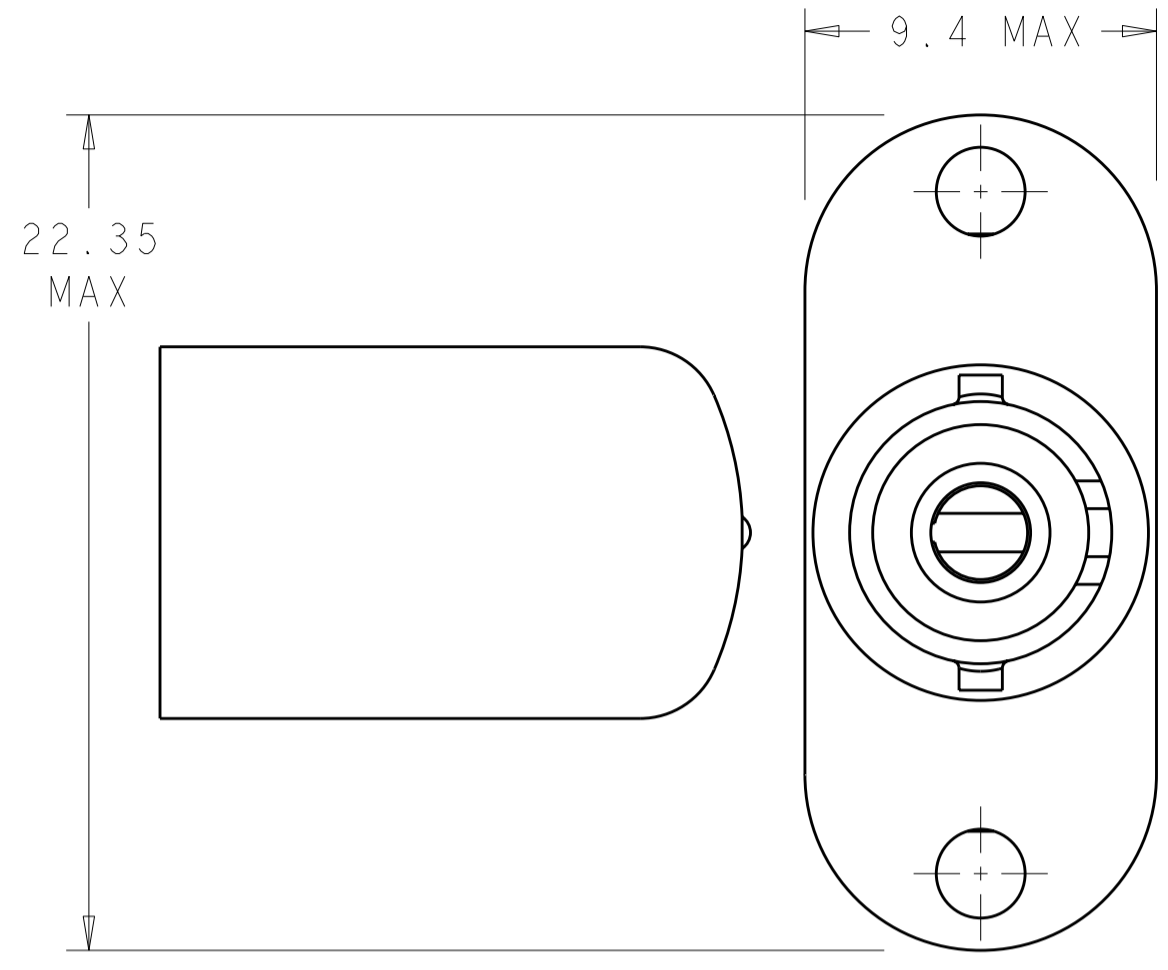
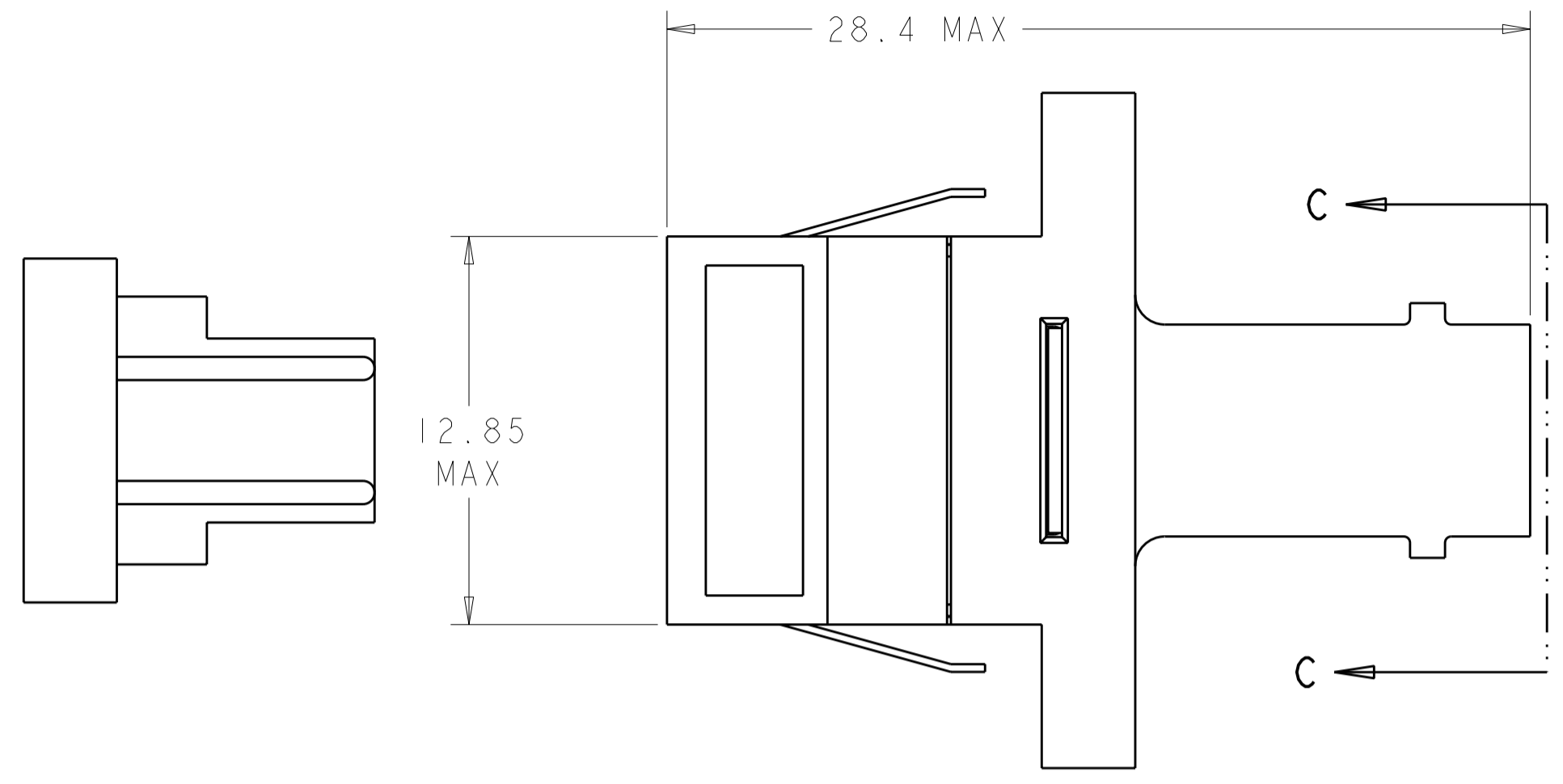


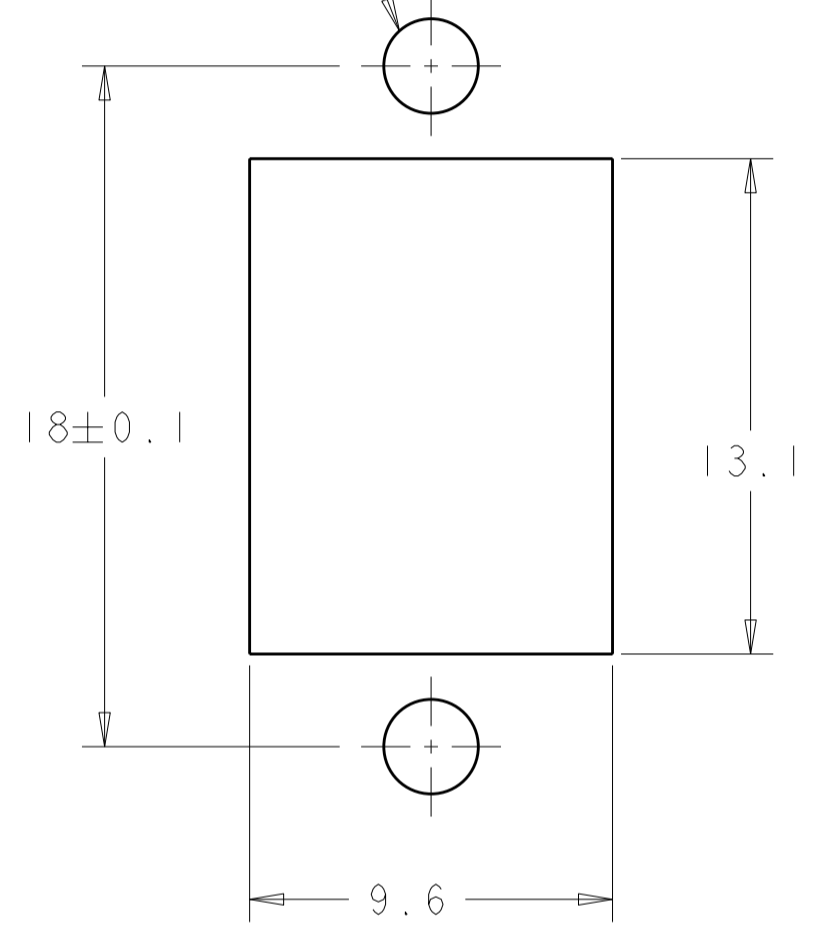
THIS DRAWING IS UNPUBLISHED. RELEASED FOR PUBLICATION 20  
 © COPYRIGHT 20 ALL RIGHTS RESERVED.

LOC CE DIST 00

REVISIONS				
P	LTR	DESCRIPTION	DATE	APVD
	CI	REVISED PER ECO-11-005027	17MAY2011	RK HMR

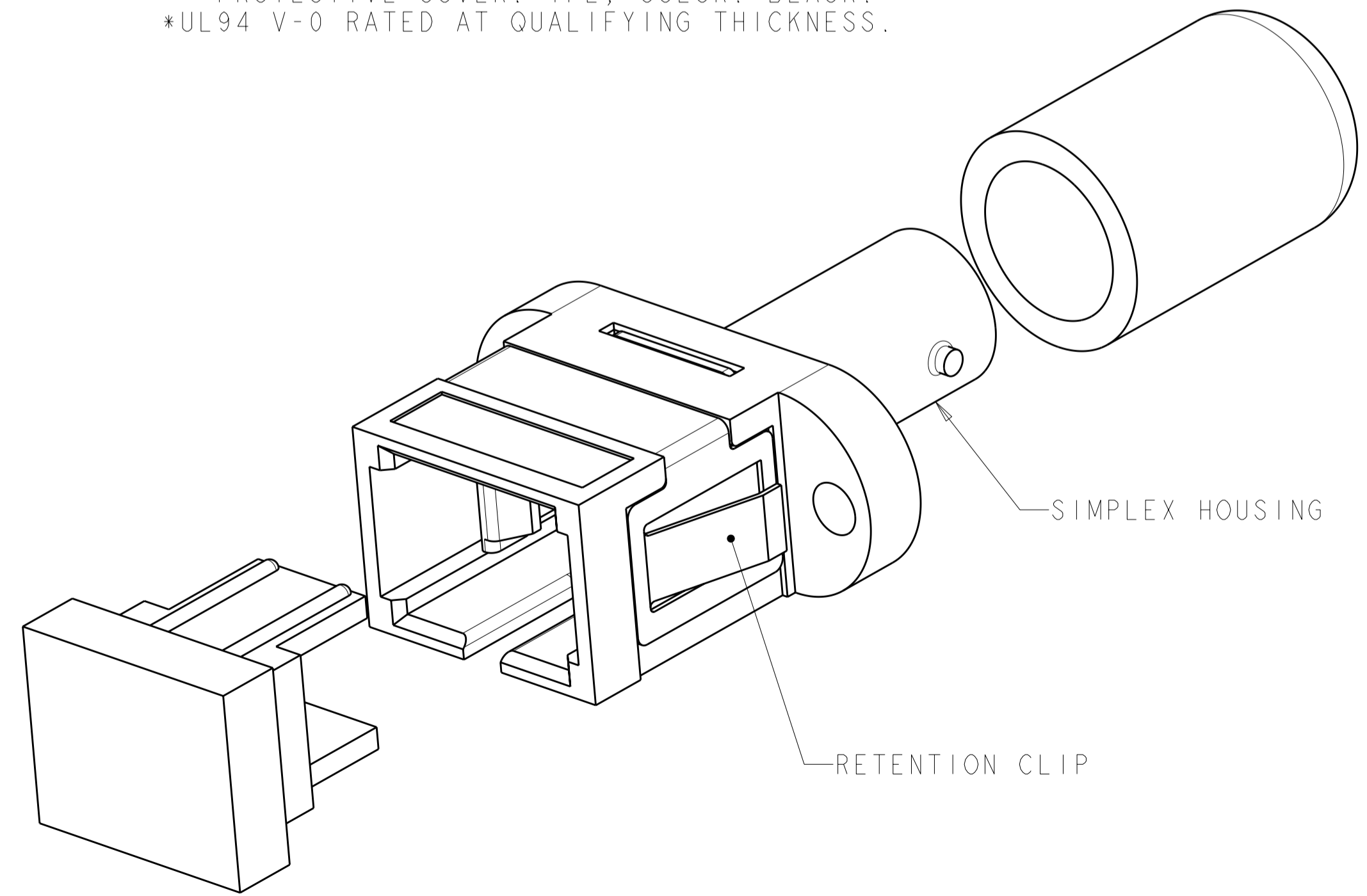


#2-56UNC-2B  
2 x



SUGGESTED PANEL CUTOUT  
MAX PANEL THICKNESS 1.7

**MATERIAL:**  
 HOUSING: PBT-GF30, SEE DASH NUMBERS FOR COLOR.\*  
 RETAINER: PEI-GF30, COLOR: BLACK.\*  
 RETENTION CLIP: STAINLESS STEEL.  
 ALIGNMENT SLEEVE: SEE DASH NUMBERS.  
 PROTECTIVE CAP: VINYL.  
 PROTECTIVE COVER: TPE, COLOR: BLACK.\*  
 \*UL94 V-0 RATED AT QUALIFYING THICKNESS.



CERAMIC	AQUA	2-5502780-1
METAL	AQUA	2-5502780-0
CERAMIC	BEIGE	5502780-6
CERAMIC	BLUE	5502780-5
CERAMIC	BLACK	5502780-4
METAL	BEIGE	5502780-3
METAL	BLUE	5502780-2
METAL	BLACK	5502780-1
ALIGNMENT SLEEVE	COLOR	PART NUMBER

THIS DRAWING IS A CONTROLLED DOCUMENT.		DWN B. BRIGGS 13MAY2005	<b>STE</b> TE Connectivity	
DIMENSIONS: mm		CHK S. MILLER 13MAY2005		
TOLERANCES UNLESS OTHERWISE SPECIFIED:		APVD S. BUCHTER 13MAY2005	NAME RECEPTACLE ASSEMBLY, AMP SC TO BAYONET	
0 PLC ±		PRODUCT SPEC	SIZE CAGE CODE DRAWING NO RESTRICTED TO	
1 PLC ±0.1		APPLICATION SPEC	A200779C-5502780	
2 PLC ±0.05		WEIGHT	SCALE 5:1 SHEET OF 1 REV CI	
3 PLC ±		CUSTOMER DRAWING		
4 PLC ±				
ANGLES ±				
FINISH				