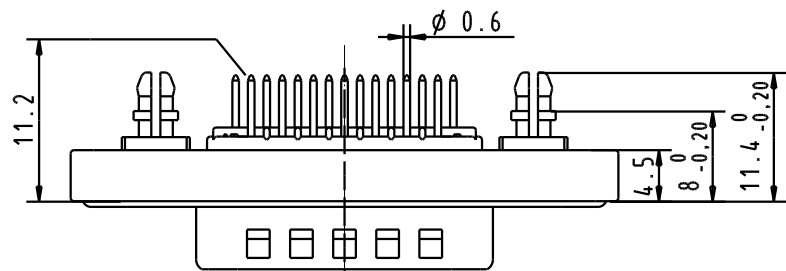
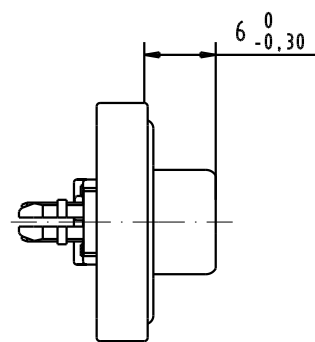
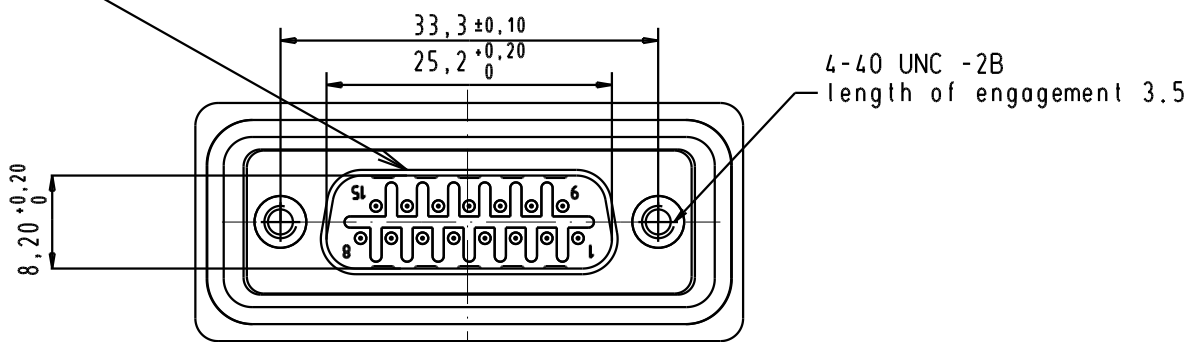


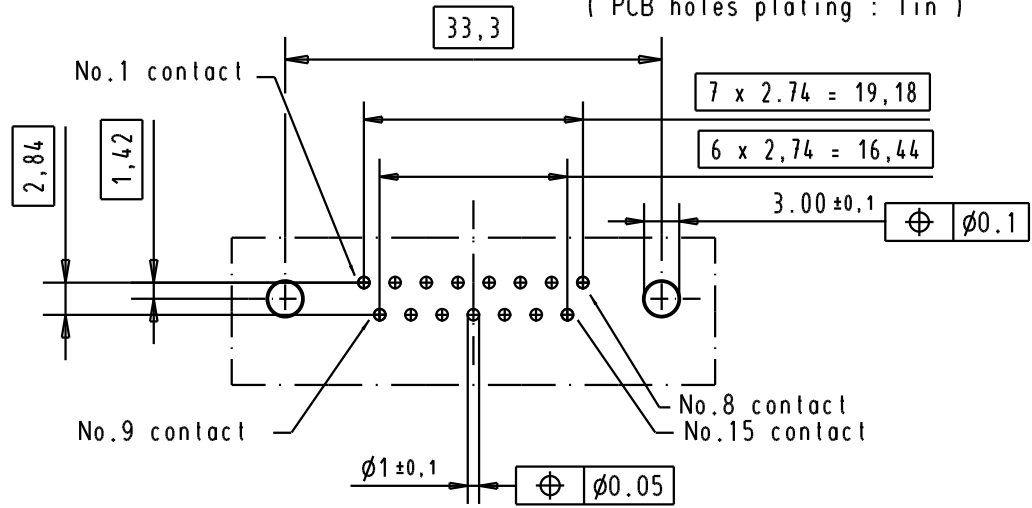
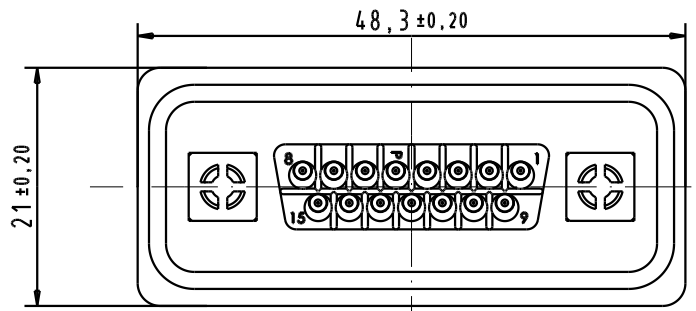
5 4 3 2 1

Mating face according to : MIL-C-24308 / DIN 41652 / CECC 75.01-802



1) Protection standard IP 67 according to IEC 529 / DIN 40050.

PCB layout hole component side (PCB holes plating : Tin)



D

C

B

A

09 67 515 7675	Au plating 0,76 µm mini
Part Number	Performance Level

			Dat.	Name
			07/01/04	S.H.
31587	07/01/04	S.H.	HARTING ELEKTRONIK F-95972 Paris	
Mod.	Dat.	Name		

<p>All Dim. in mm Orig. Size DIN A 4</p>	D-SUB IP67 male 15 Poles straight solder pin with 4-40 UNC Spacer and clip	Moßstab/ Scale
	TB 09 67 515 7675	Blatt/ Page
Sub.		

