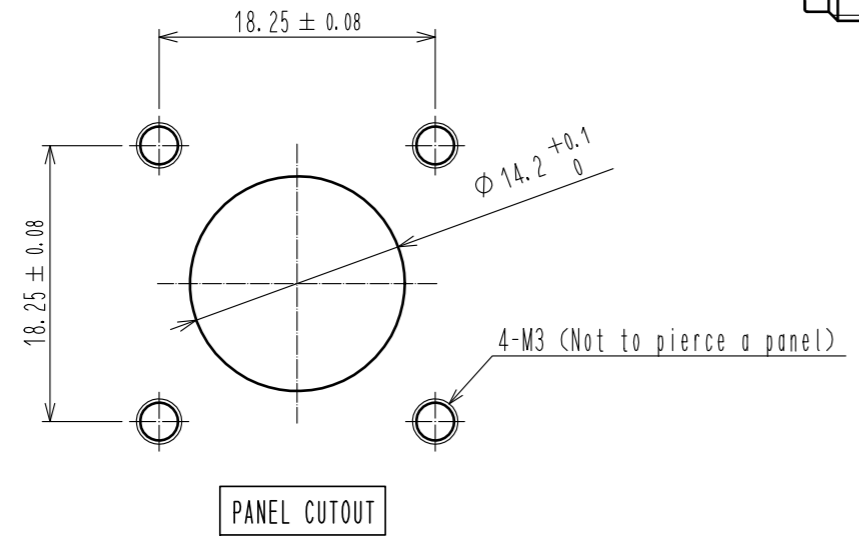
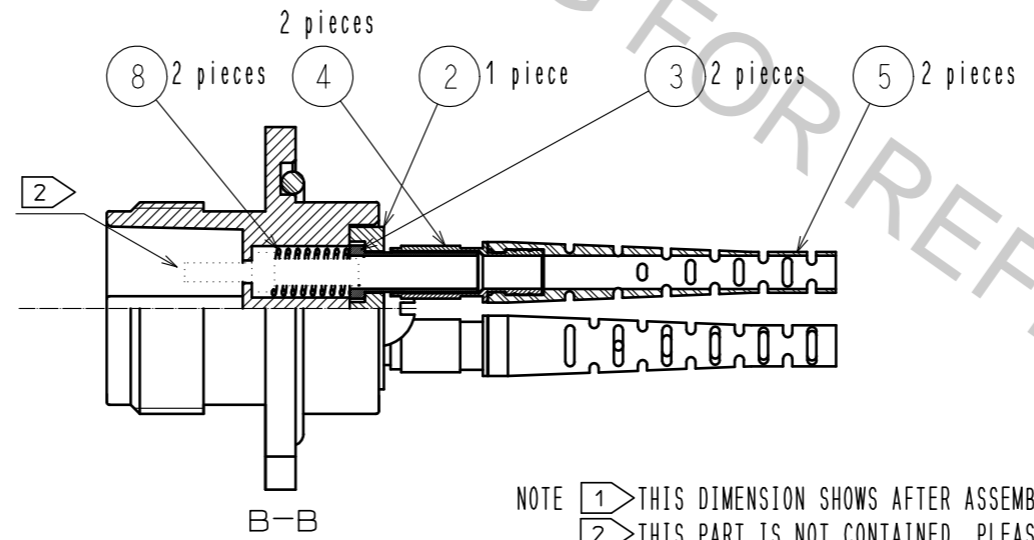
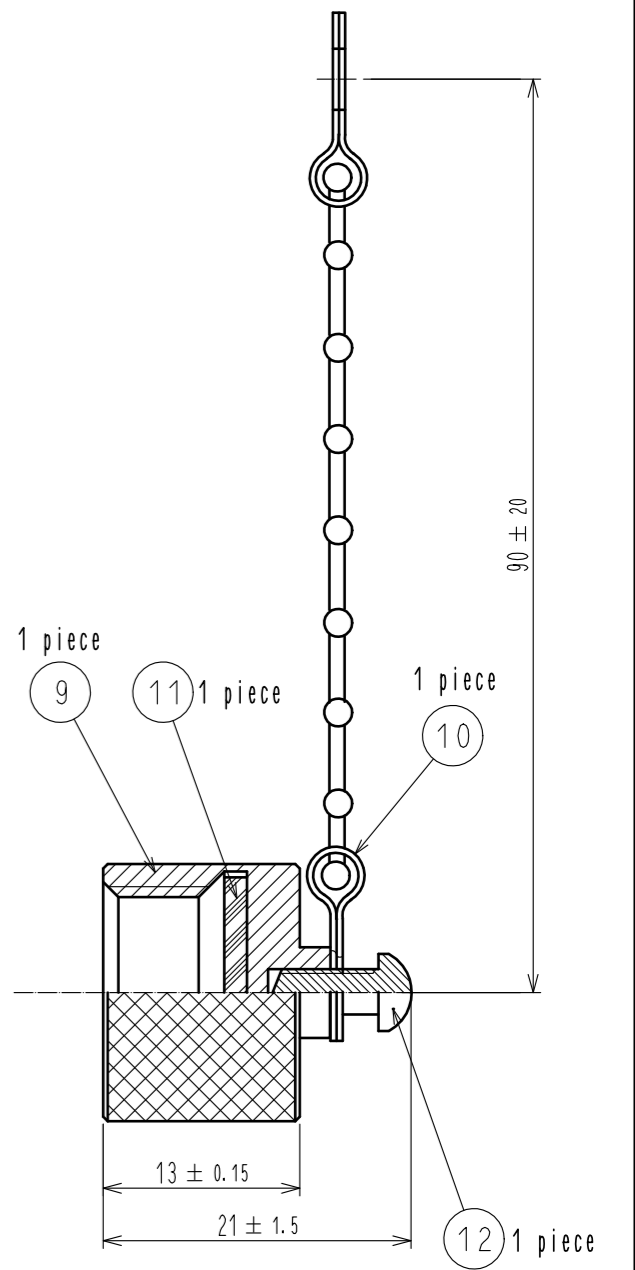
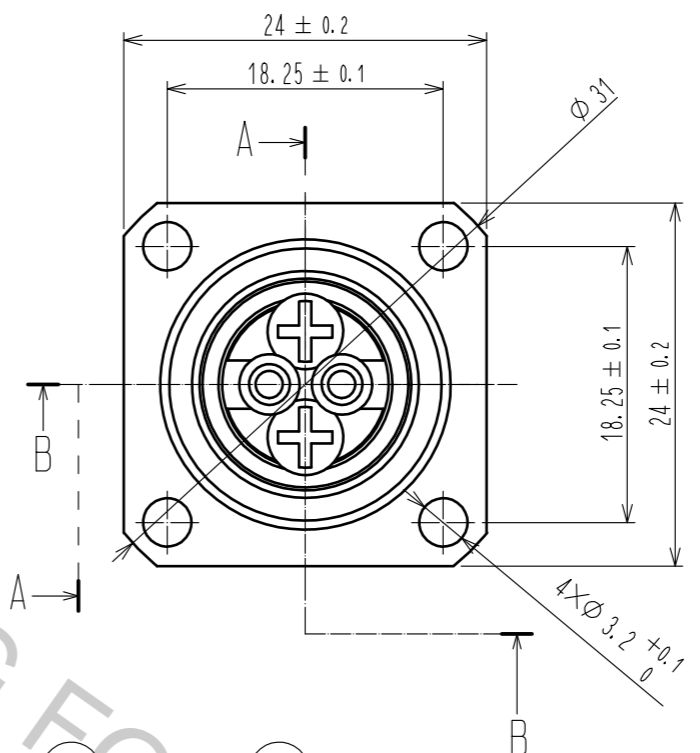
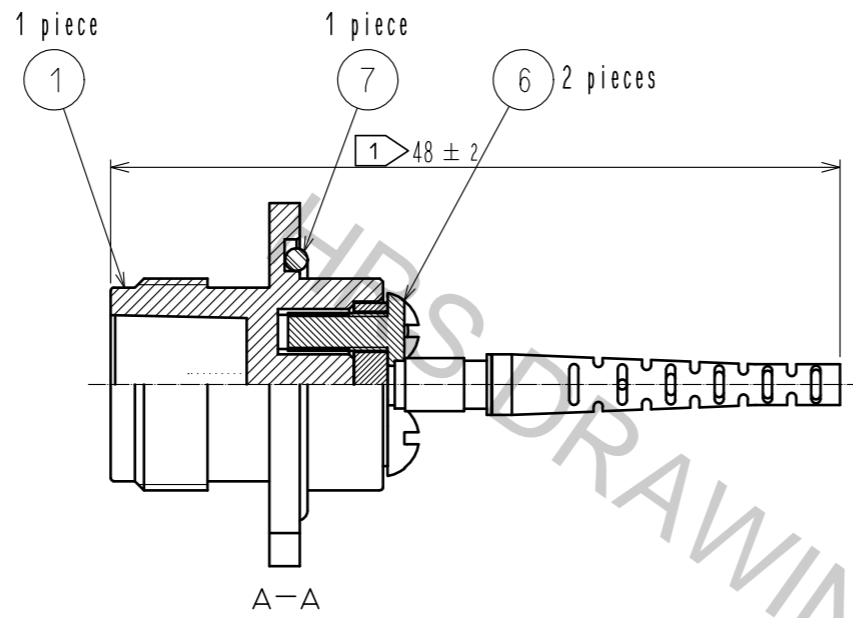
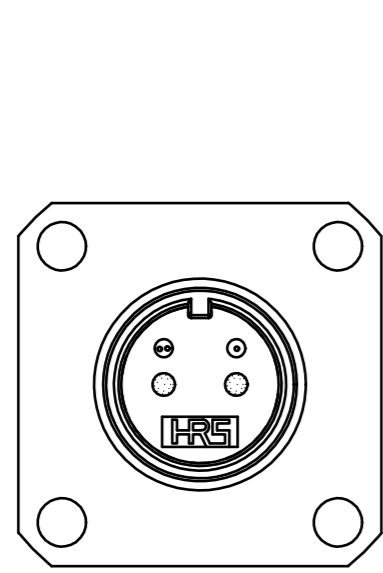


Aug.1.2018 Copyright 2018 HIROSE ELECTRIC CO., LTD. All Rights Reserved.  
 In case that the application demands a high level of reliability, such as automotive,  
 please contact a company representative for further information.



NOTE 1 THIS DIMENSION SHOWS AFTER ASSEMBLING.  
 2 THIS PART IS NOT CONTAINED. PLEASE USE AN OPTIONAL MU FERRULE.

6	STAINLESS STEEL		12	STAINLESS STEEL	NYELOCK
5	TPEE RESIN	COLOR:LAVENDER	11	SIR RUBBER	COLOR:NATURAL
4	BRASS	NICKEL PLATING	10	STAINLESS STEEL	
3	BRASS	NICKEL PLATING	9	ALUMINIUM ALLOY	ANODIC OXIDE COATING (BLACK)
2	BRASS	NICKEL PLATING	8	PIANO WIRE	ZINC PLATING
1	ZINC DIECAST	CHROME PLATING (BLACK)	7	EPR RUBBER	COLOR:BLACK
NO.	MATERIAL	FINISH . REMARKS	NO.	MATERIAL	FINISH . REMARKS

UNITS mm		SCALE 2 : 1	COUNT 	DESCRIPTION OF REVISIONS	DESIGNED	CHECKED	DATE
HIROSE ELECTRIC CO., LTD.				APPROVED : MT. SHIBUTANI 18.02.02 CHECKED : FS. YOSHIDA 18.02.02 DESIGNED : TY. SATO 18.02.02 DRAWN : MK. INOUE 18.02.02	DRAWING NO. EDC-176813-31-00 PART NO. MF10S-WDRFGC01-0200(31) CODE NO. CL709-0579-8-31		