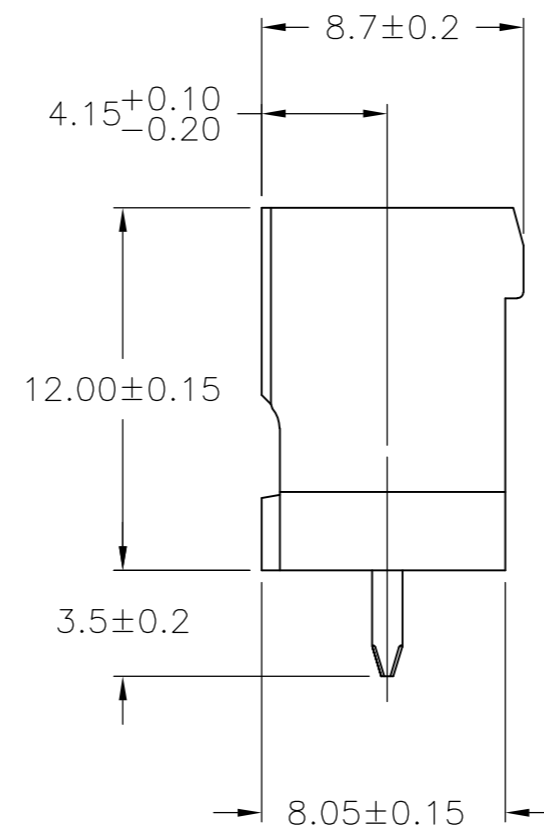
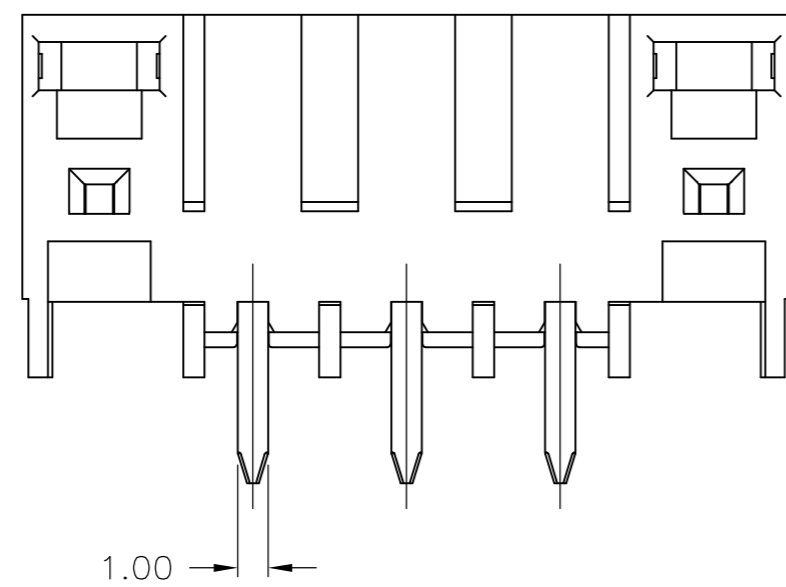
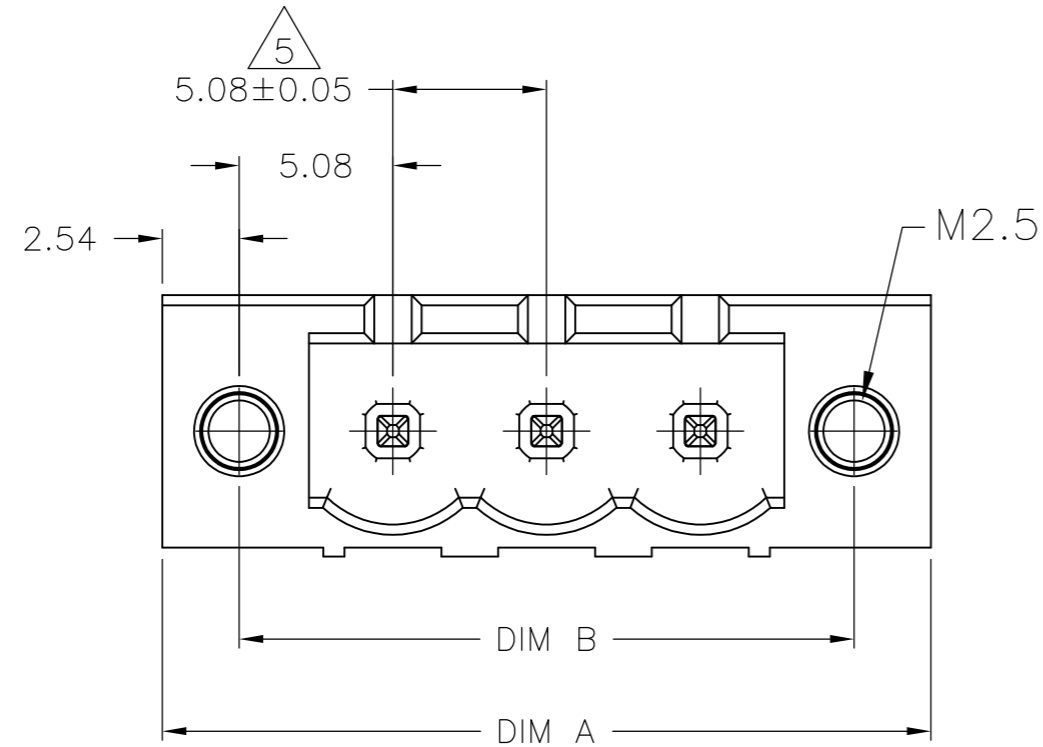


THIS DRAWING IS UNPUBLISHED. RELEASED FOR PUBLICATION  
 © COPYRIGHT - By - ALL RIGHTS RESERVED.

LOC		DIST		REVISIONS			
P	LTR	DESCRIPTION		DATE	DWN	APVD	
3		REVISED PER ECO-12-007711		26APR12	KH	MS	

- 1 MATERIAL:  
HOUSING: PA 6-6, UL 94V-0, COLOR: BLACK  
TERMINAL: COPPER ALLOY, TIN PLATED.
- 2 SUITABLE FOR 1.6 - 2.4mm BOARD THICKNESS
- 3 RECONGNIZED UNDER THE COMPONENT PROGRAM OF UNDERWRITERS LABORATORIES INC. FILE NO. E60677.
- 4 MQ CERTIFICATE WITH SURVEILLANCE ON CONFORMITY WITH IEC 998-1/998-2-1.
- 5 NOT CUMULATIVE TOLERANCE.
- 6 BUCHANAN LOGO TO APPEAR ON HOUSING, LOCATION OPTIONAL WHERE SPACE PERMITS.
- 7 TAPE AND REEL PACKAGED



THIS PRINT IS  
**PRELIMINARY**  
 PRIOR TO CUSTOMER ORDER  
 CONTACT PRODUCT ENGINEERING  
 BEFORE USING THIS PRINT

15.24	25.40	3	2-1986479-3
60.96	71.12	12	1-1986479-2
55.88	66.04	11	1-1986479-1
50.80	60.96	10	1-1986479-0
45.72	55.88	9	1986479-9
40.64	50.80	8	1986479-8
35.56	45.72	7	1986479-7
30.48	40.64	6	1986479-6
25.40	35.56	5	1986479-5
20.32	30.48	4	1986479-4
15.24	25.40	3	1986479-3
10.16	20.32	2	1986479-2
DIM B	DIM A	NO OF POS	PART NUMBER

THIS DRAWING IS A CONTROLLED DOCUMENT.

DWN	S SCHLEGEL	17OCT2008
CHK	C RICHARD	10/17/108
APVD	C RICHARD	10/17/08

TE Connectivity  
**PRELIMINARY**  
 TERMINAL BLOCK, HEADER ASSEMBLY, VERTICAL  
 WITH LOCKING SCREW FLANGE, 5.08mm, HIGH TEMP

SIZE	CAGE CODE	DRAWING NO	RESTRICTED TO
A2	00779	C=1986479	-

CUSTOMER DRAWING SCALE NTS SHEET 1 OF 1 REV 3