

H G F E D C B A

4

3

2

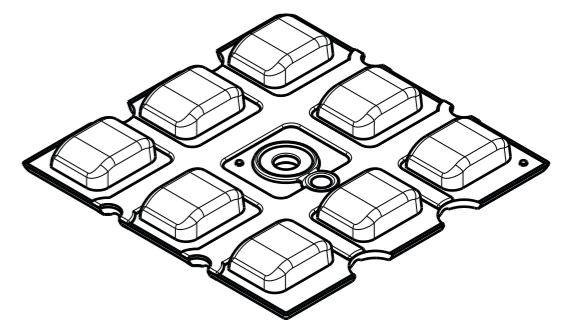
1

4

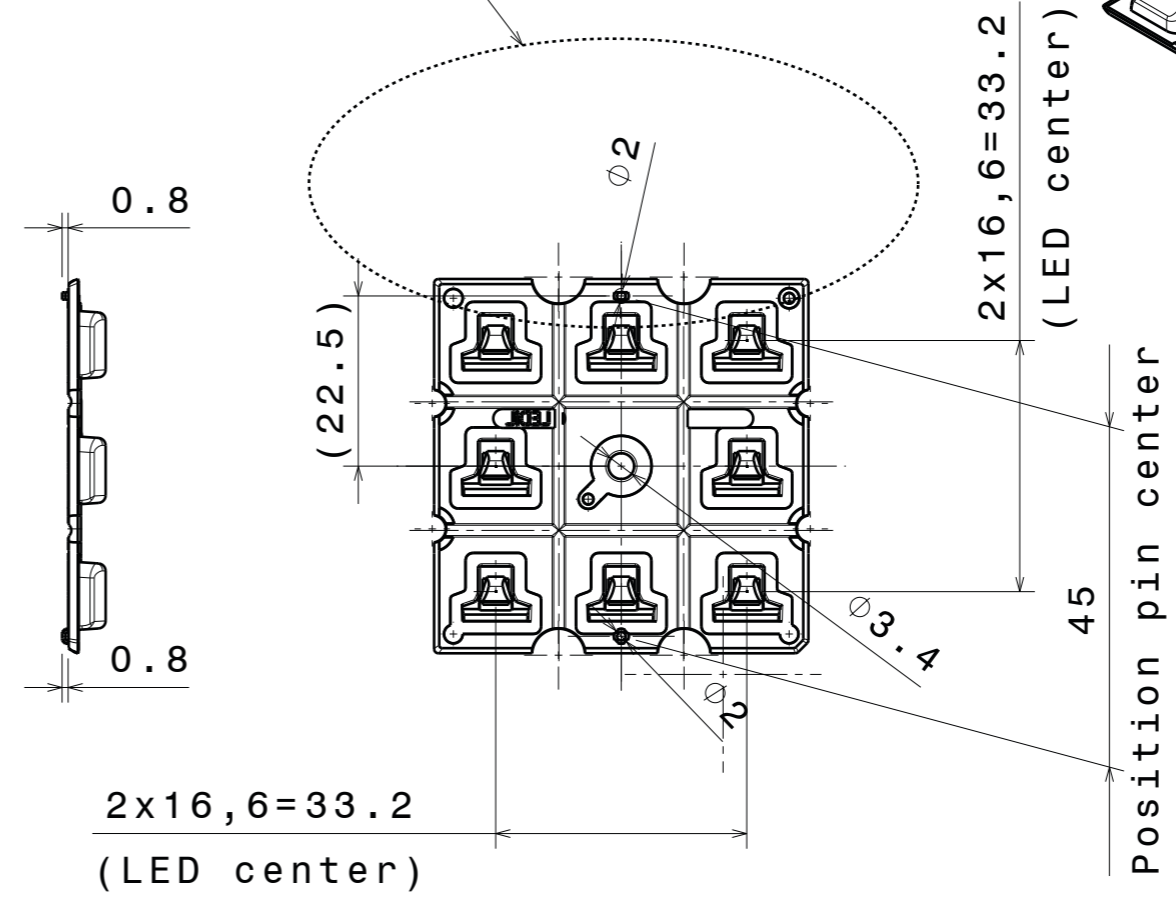
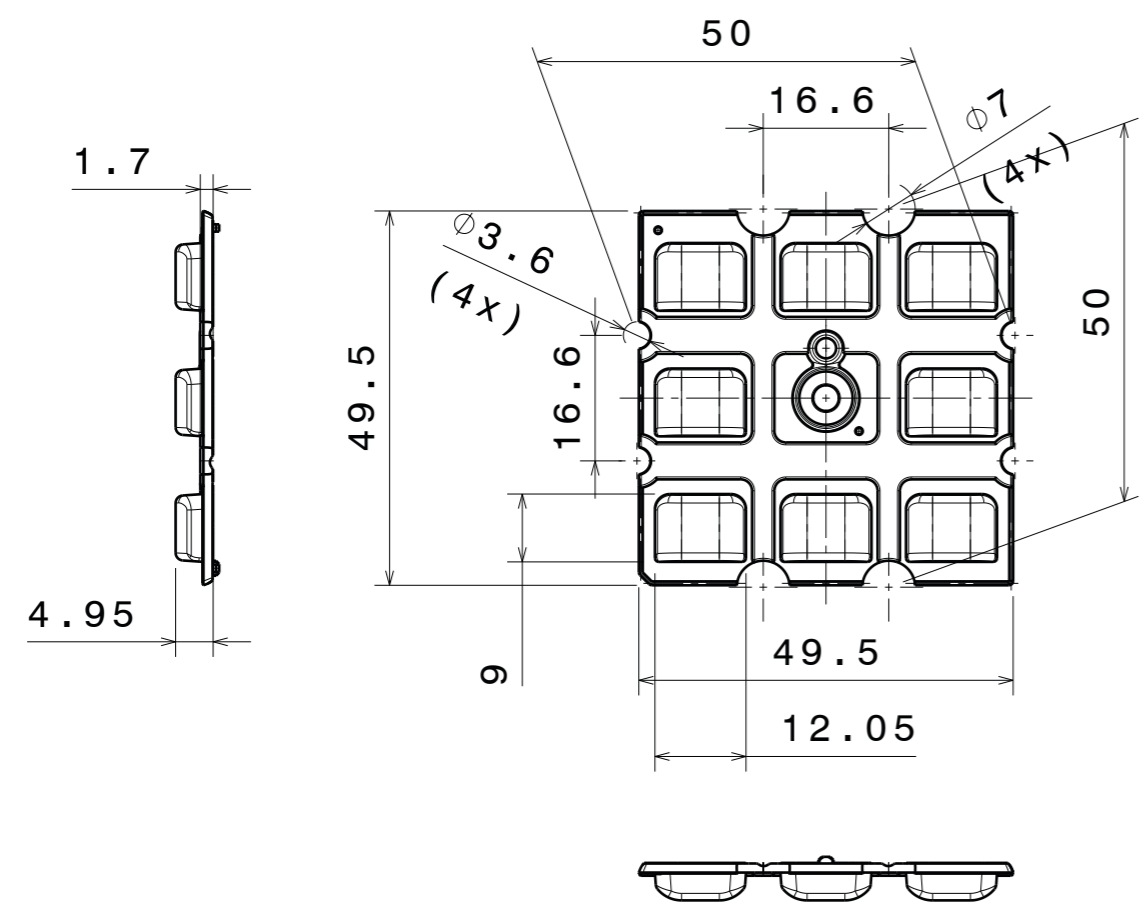
3

2

1



Light direction



Note: Recommended fixing screw torque 0,6Nm

INDEX	PART NO	DESCRIPTION	MATERIAL	COLOUR
1	C15034	STRADELLA-8-T2	PMMA	Clear

Tolerances if not otherwise shown
According to DIN ISO 2768-1
Linear measures:
up to 30mm class M, otherwise class C
According to DIN ISO 2768-2
Form and position: class L

LEDiL LediL Oy
Salorankatu 10
FIN 24240 SALO
Finland

THIRD ANGLE PROJECTION:

DRAWING TITLE
C15034_STRADELLA-8-T2

This drawing is the property of LEDiL Oy. It may not be reproduced, copied or communicated without a written agreement with LEDiL Oy.

SIZE PART NUMBER
A3 C15034

SCALE 1:1 WEIGHT 5,56 g SHEET 1/1

H G B A