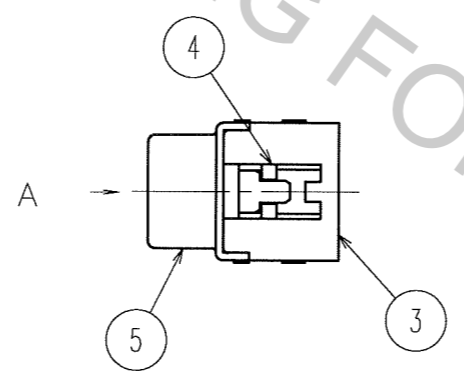
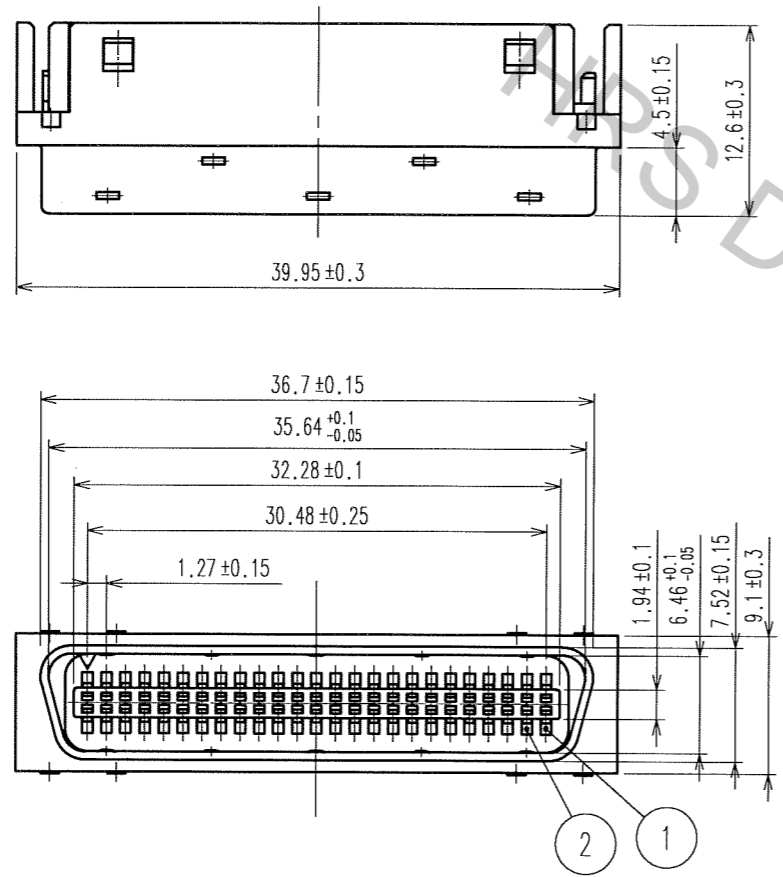
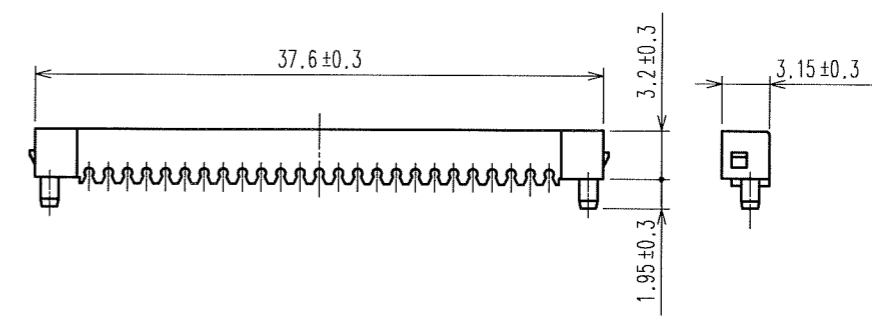


Apr.1.2017 Copyright 2017 HIROSE ELECTRIC CO., LTD. All Rights Reserved.

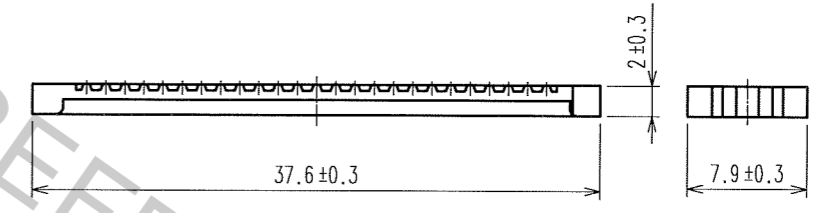
COUNT	DESCRIPTION OF REVISIONS	BY	CHKD	DATE	COUNT	DESCRIPTION OF REVISIONS	BY	CHKD	DATE
2	DIS-E-000197	Y.S.Y.E		05.08.29					



7 APPENDED PRODUCT



6 APPENDED PRODUCT



NOTE 1 FIXING FORCE OF REF. NO ③ TO BE 100N MIN TO DIRECTION A.

4	PBT	(GLASS CONTAINED) UL94V-0			
3	PBT	(GLASS CONTAINED) UL94V-0	7	PBT (GLASS CONTAINED) UL94V-0	
2	BERYLLIUM COPPER ALLOY	CONTACT SECTION GOLD PLATED IDC SECTION GOLD FLASH PLATING	6	PBT (GLASS CONTAINED) UL94V-0	
1	BERYLLIUM COPPER ALLOY	CONTACT SECTION GOLD PLATED IDC SECTION GOLD FLASH PLATING	5	STEEL NICKEL PLATED	
NO.	MATERIAL	FINISH, REMARKS	NO.	MATERIAL	FINISH, REMARKS

CODE NO. (OLD)	DRAWN	DESIGNED	CHECKED	APPROVED	RELEASED
	T.MIURA	K. ICHIKAWA	H. TANAKA	H. TANAKA	
	99.03.05	99.03.08	99.03.08	99.03.08	

	DRAWING NO. EDC3-042475	PART NO. DX30AM-50P
SCALE 2 : 1 UNITS mm	HIROSE ELECTRIC CO., LTD	CODE NO. CL230-5028-5

TO  
Q1  
USA