

4

3

2

1

THIS DRAWING IS UNPUBLISHED.

RELEASED FOR PUBLICATION

AUG ,2006.

© COPYRIGHT - BY TYCO ELECTRONICS CORPORATION. ALL RIGHTS RESERVED.

LOC
DWDIST
/

REVISIONS

P	LTR	DESCRIPTION	DATE	DWN	APVD
	C	REVISED (ECR-09-006150)	17MAR09	SC	WK
	C1	REVISED PER ECO-09-024927	07NOV09	KK	AEG

TE LOGO

11.91

1.27 TYP

11.43

X

18.00

11.50

3.00

2 PLC

7.85

6.35±0.2

3.25±0.25

8.89±0.25

∅0.46

8 PLC

8.89

∅0.90

∅0.10

8 PLC

1.27 TYP.

2.54

6.35

11.43

∅3.20

∅0.10

2 PLC

RECOMMENDED PCB LAYOUT (THICKNESS: 1.6mm)
 DIMENSION TOLERANCE: (1 PLC: ±0.1 2PLC: ±0.05)

NOTE:

- MATERIAL:
HOUSING: THERMOPLASTIC, UL94V-0, COLOR: BLACK.
CONTACT: PHOSPHOR BRONZE, THICKNESS: 0.46mm.
- FINISH:
CONTACT: GOLD PLATED (SEE TABLE) OVER 50u" MIN.
NICKEL UNDERPLATED ALL OVER.
- NET WIGHT: 3g.

⚠ OBSOLETE PARTS: OBSOLETE CIS STREAMLINING
PER D.RENAUD/D.SINISI

∅3.00±0.1

3.30

1.30

∅3.30±0.1

DETAIL X

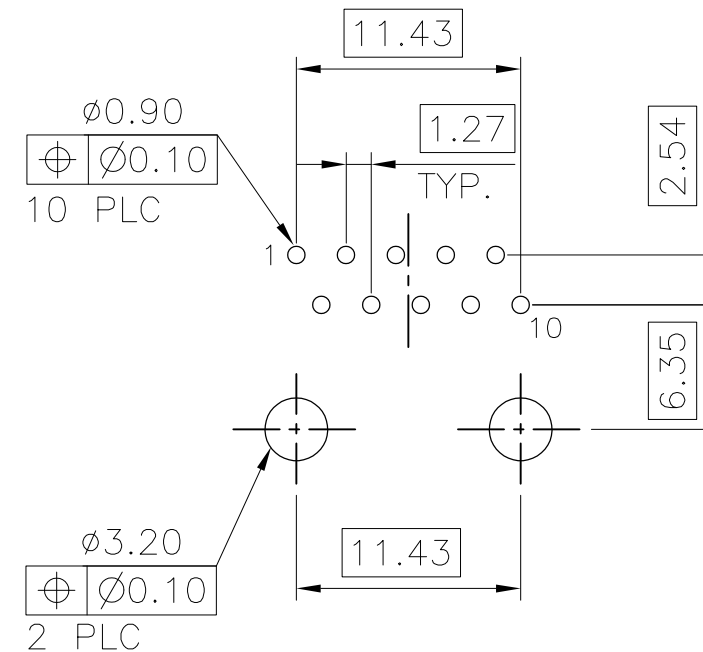
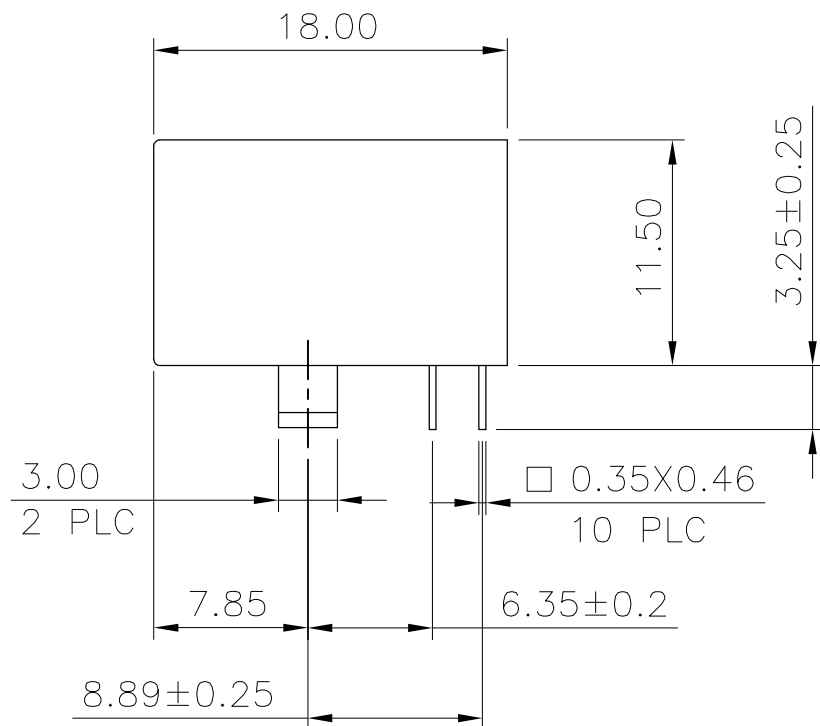
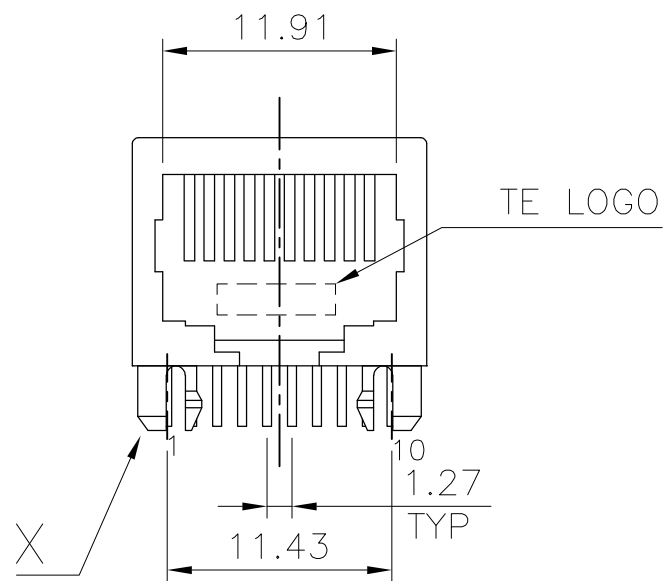
15.00

⚠ OBSOLETE	10P8C	50μ"	1470648-4-
		30μ"	1470648-3-
		15μ"	1470648-2-
		6μ"	1470648-1-
	RJ45	MIN. GOLD THICKNESS	PART NUMBER

THIS DRAWING IS A CONTROLLED DOCUMENT.		DWN S. CHIEN 17MAR2009	Tyco Electronics Corporation Taipei, Taiwan		
DIMENSIONS: MM		CHK S. CHIEN 17MAR2009	NAME		
TOLERANCES UNLESS OTHERWISE SPECIFIED:		APVD W. KODAMA 17MAR2009	MODULAR JACK, RJ45, LOW PROFILE, SIDE ENTRY.		
		PRODUCT SPEC 108-57253	QUALIFICATION TEST REPORT		
MATERIAL SEE NOTE		FINISH SEE NOTE	501-57375	SIZE A3	CAGE CODE 00779
		WEIGHT - GRAMS	DRAWING NO C=1470648		RESTRICTED TO -
CUSTOMER DRAWING			SCALE -	SHEET 1 OF 3	REV C1

AMP 1470-19 REV 31MAR2000

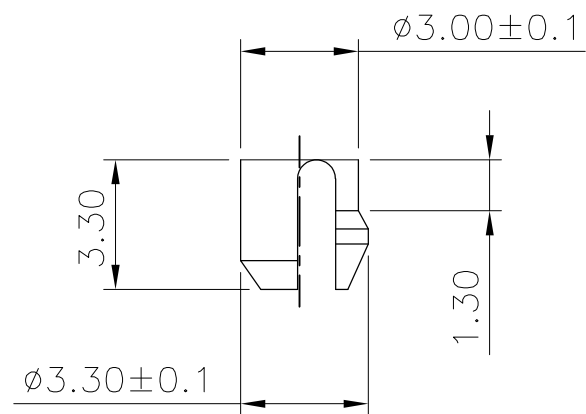
LOC	DIST	REVISIONS					
DW		P	LTR	DESCRIPTION	DATE	DWN	APVD
				SEE SHEET 1.			



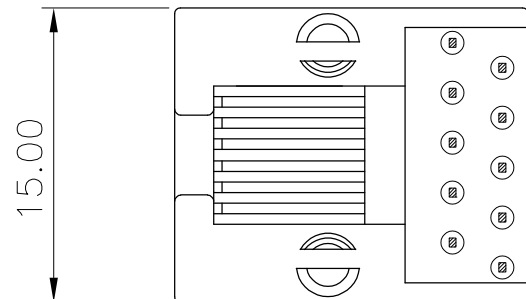
RECOMMENDED PCB LAYOUT (THICKNESS: 1.6mm)
 DIMENSION TOLERANCE: (1 PLC: ±0.1 2PLC: ±0.05)

NOTE:

- MATERIAL:
HOUSING: THERMOPLASTIC, UL94V-0, COLOR: BLACK.
CONTACT: PHOSPHOR BRONZE, THICKNESS: 0.35mm.
- FINISH:
CONTACT: GOLD PLATED (SEE TABLE) IN CONTACT AREA, 100µ" MIN. TIN-LEAD ON SOLDER TAILS. 50µ" MIN. NICKEL UNDER PLATED ALL OVER.
- NET WIGHT: 3g.



DETAIL X



OBSOLETE	10P10C	50µ"	1-1470648-4
		30µ"	1-1470648-3
		15µ"	1-1470648-2
		6µ"	1-1470648-1
	RJ45	MIN. GOLD THICKNESS	PART NUMBER

THIS DRAWING IS A CONTROLLED DOCUMENT.		DWN	Tyco Electronics Corporation Taipei, Taiwan		
DIMENSIONS: MM		CHK	NAME		
TOLERANCES UNLESS OTHERWISE SPECIFIED:		APVD	MODULAR JACK, RJ45, LOW PROFILE, SIDE ENTRY.		
0 PLC ± -		PRODUCT SPEC	SIZE	CAGE CODE	DRAWING NO
1 PLC ± -		APPLICATION SPEC	A3	00779	C-1470648
2 PLC ± -		WEIGHT	RESTRICTED TO		
3 PLC ± -			CUSTOMER DRAWING		
4 PLC ± -			SCALE	SHEET	REV
ANGLES ± -			-	2 OF 3	C1
FINISH					

THIS DRAWING IS UNPUBLISHED.

RELEASED FOR PUBLICATION

AUG ,2006.

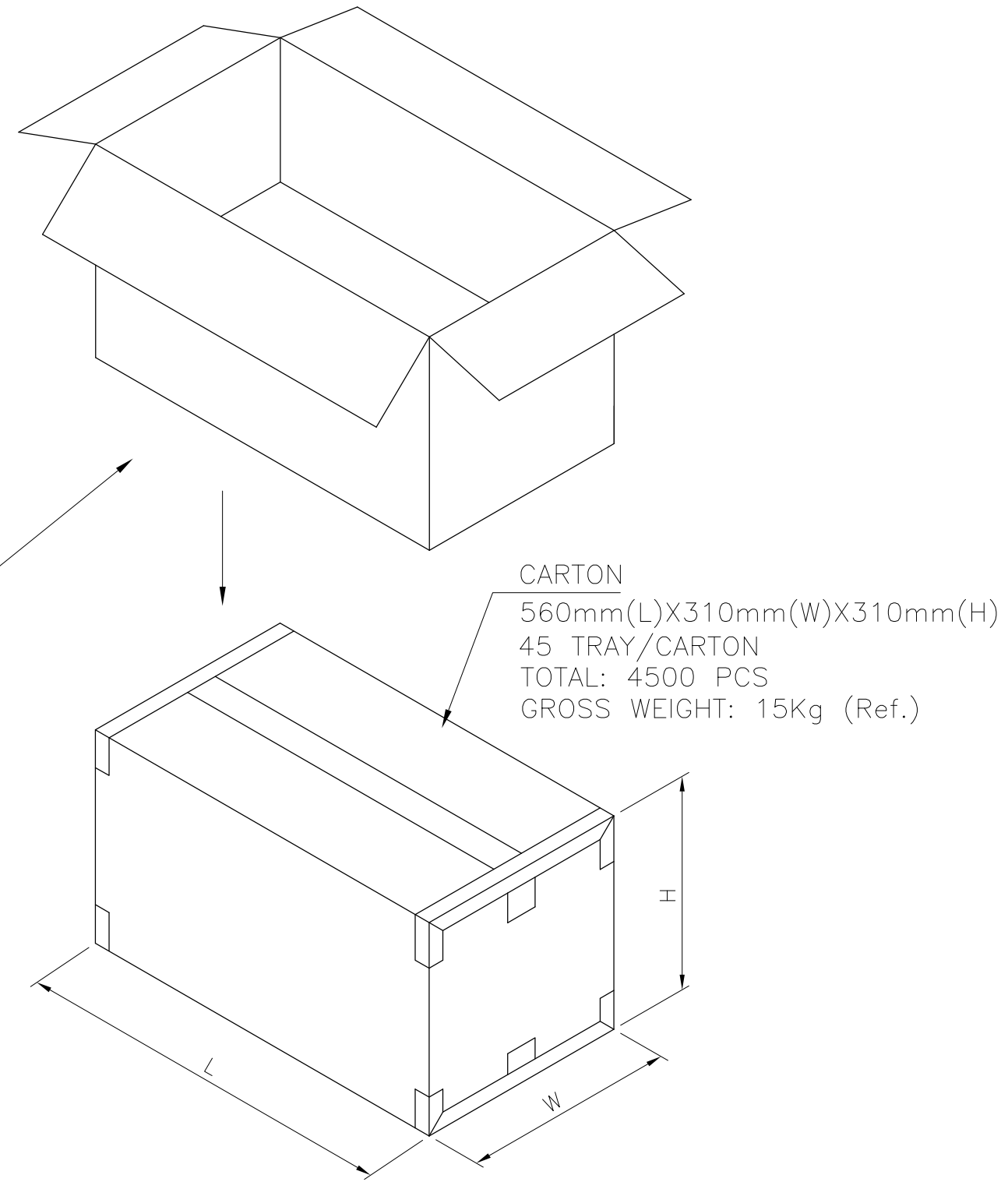
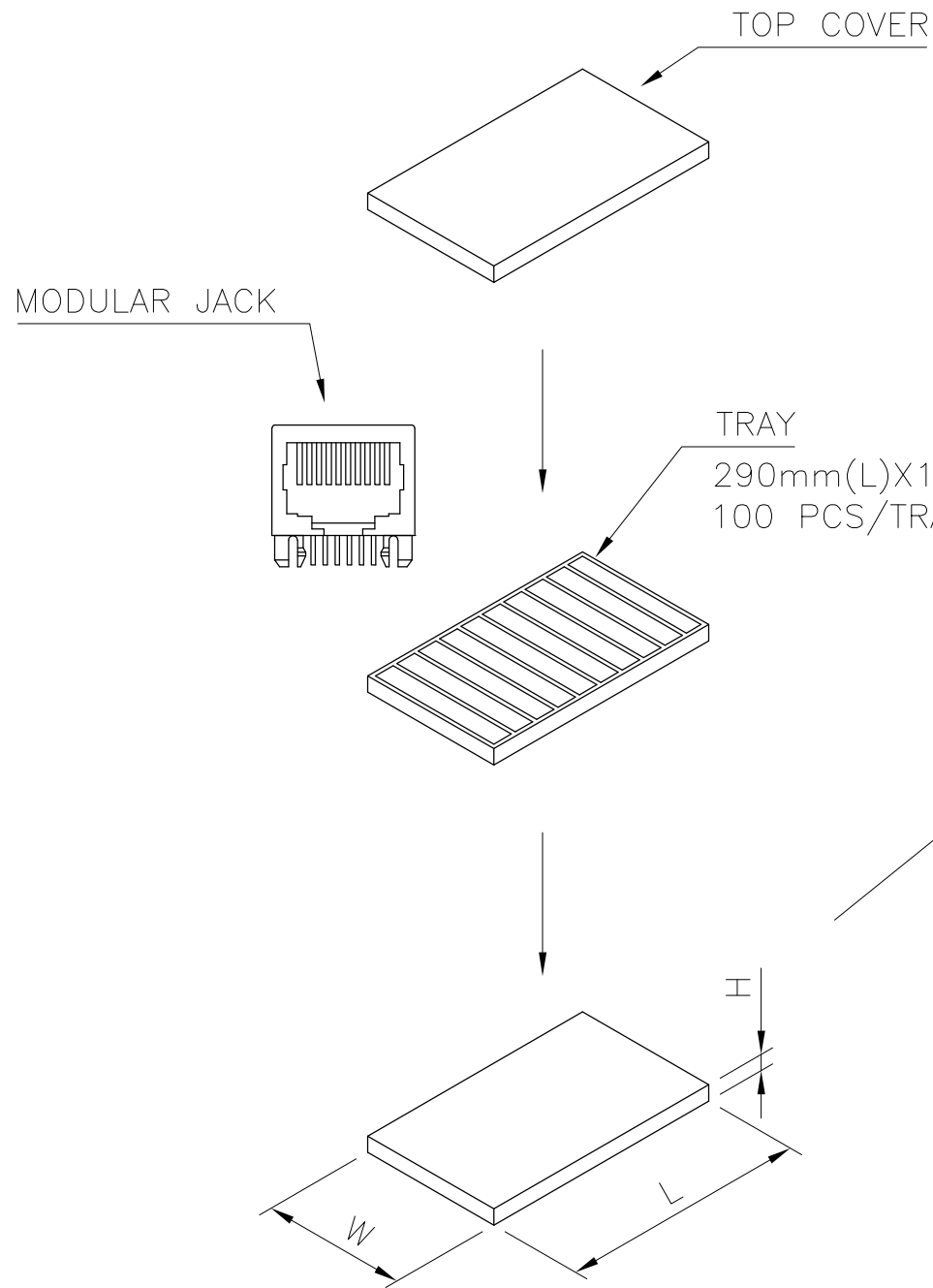
© COPYRIGHT - BY TYCO ELECTRONICS CORPORATION. ALL RIGHTS RESERVED.

LOC
DW

DIST
/

REVISIONS

P	LTR	DESCRIPTION	DATE	DWN	APVD
		SEE SHEET 1.			



THIS DRAWING IS A CONTROLLED DOCUMENT.		DWN	Tyco Electronics Corporation Taipei, Taiwan		
DIMENSIONS: MM		CHK	NAME		
TOLERANCES UNLESS OTHERWISE SPECIFIED:		APVD	MODULAR JACK, RJ45, LOW PROFILE, SIDE ENTRY.		
0 PLC ± -		PRODUCT SPEC	SIZE	CAGE CODE	DRAWING NO
1 PLC ± -		APPLICATION SPEC	A3	00779	C=1470648
2 PLC ± -		WEIGHT	RESTRICTED TO		
3 PLC ± -			-		
4 PLC ± -		CUSTOMER DRAWING	SCALE	SHEET	REV
ANGLES ± -			-	3 OF 3	C1
FINISH					
MATERIAL					