

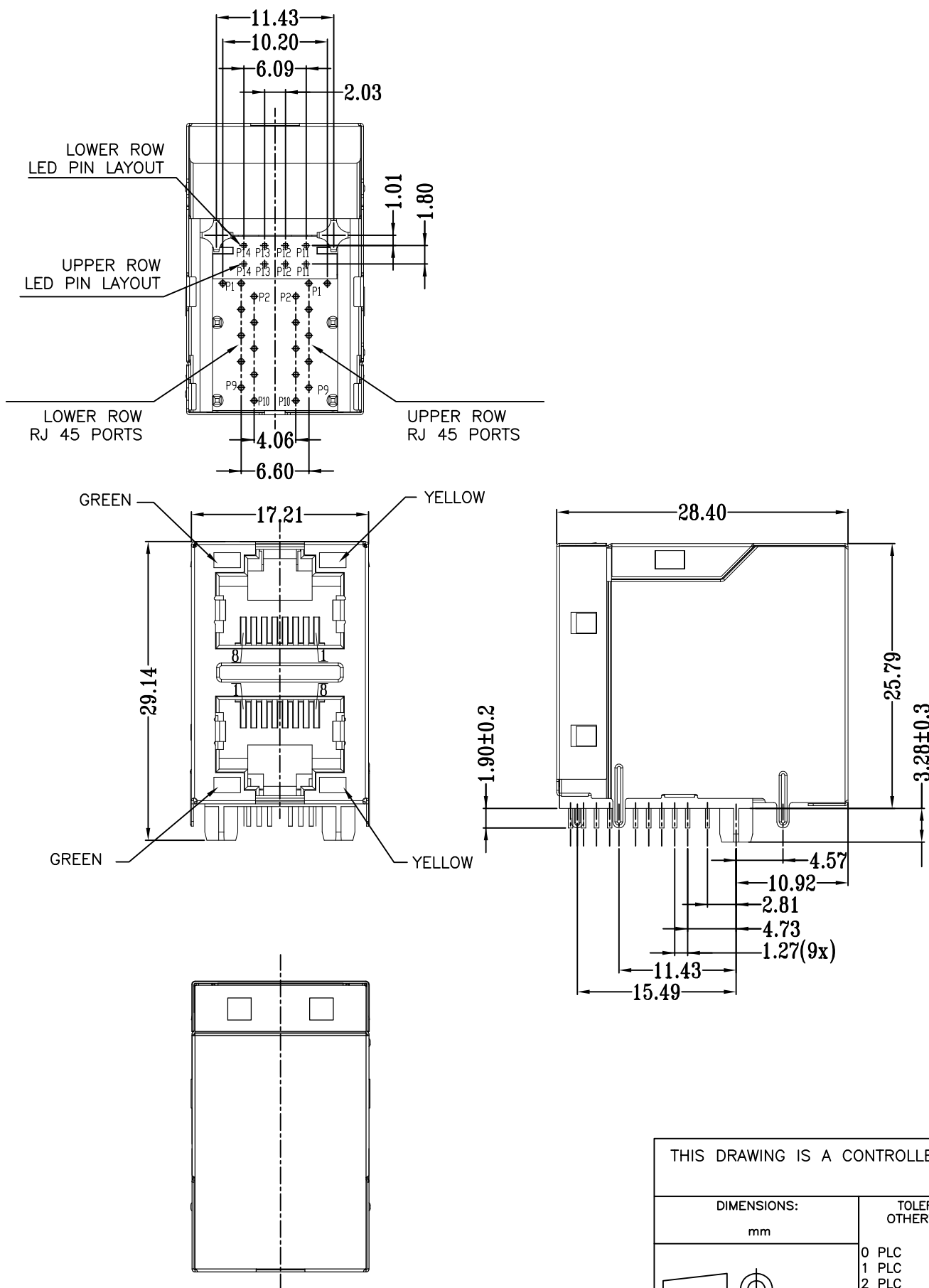
THIS DRAWING IS UNPUBLISHED RELEASED FOR PUBLICATION - ,2016.

© COPYRIGHT 2013 By TE CONNECTIVITY

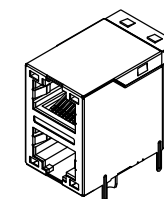
ALL RIGHTS RESERVED.

REVISIONS

P	LTR	DESCRIPTION	DATE	DWN	APVD
	B1	REV. PER PCN E-16-017540	27DEC2016	GCM	MSZ



- △ CONNECTOR MATERIAL:
HOUSING: LCP BLACK UL94 V-0
INSERT: LCP BLACK UL94 V-0
SHIELD: BRASS
SHIELD PLATING: NICKEL
CONTACT: COPPER ALLOY
CONTACT PLATING: SELECTIVE GOLD, MIN. 0.76µm (30µinch) IN CONTACT AREA OVER MIN. 1.27µm (50µinch) NICKEL
SOLDER PIN PLATING: 3.05µm (120µinch) TIN OVER 1.02µm (40µinch) NICKEL OVER ALL
SHIELDING PIN PLATING: NICKEL
- 2 PIN NOT ELECTRICALLY CONNECTED MAYBE OMITTED SEE ELECTRICAL CIRCUIT DIAGRAM FOR OMITTED PINS
- 3 RJ45 CAVITIES CONFORM TO FCC RULES AND REGULATION PART 68
- 4 THE PART IS RECOMMENDED FOR REFLOW SOLDERING PROCESS PEAK SOLDERING: TEMPERATURE MAX. +260° C, MAX. 10s
- 5 OPERATING TEMPERATURE: T= -40° C TO +85° C
- 6 STORAGE TEMPERATURE: T= -40° C TO +85° C
- △ UNLESS OTHERWISE SPECIFIED, SEE TABLE FOR ALL DIMENSIONS TOLERANCES
- 8 JACK CONFIGURATION: 2 x 1
TAB DIRECTION: UP/DOWN
- 9 PACKAGING: TRAY ACCORDING TO PACKAGING SPECIFICATION 107-18116



1:1

TABLE OF TOLERANCE (mm)	
RANGE	TOLERANCE
0-10	±0.15
>10-40	±0.25
>40-70	±0.30
>70	±0.40

THIS DRAWING IS A CONTROLLED DOCUMENT.		DWN 18AUG2016 GANESH C M		
DIMENSIONS: mm		CHK 18AUG2016 FRANZ MUELLER		
TOLERANCES UNLESS OTHERWISE SPECIFIED:		APVD 18AUG2016 MARTIN SZELAG	NAME RJ45 JACK INT.MAG. 1Gb LED 2x1	
		PRODUCT SPEC 108-94552	RESTRICTED TO	
MATERIAL		APPLICATION SPEC 114-94447	SIZE A3	CAGE CODE 00779
FINISH		WEIGHT	DRAWING NO C=2301997-7	REV B1
		CUSTOMER DRAWING		SCALE 3:1
		SHEET 1 of 3		

THIS DRAWING IS UNPUBLISHED RELEASED FOR PUBLICATION - ,2016.

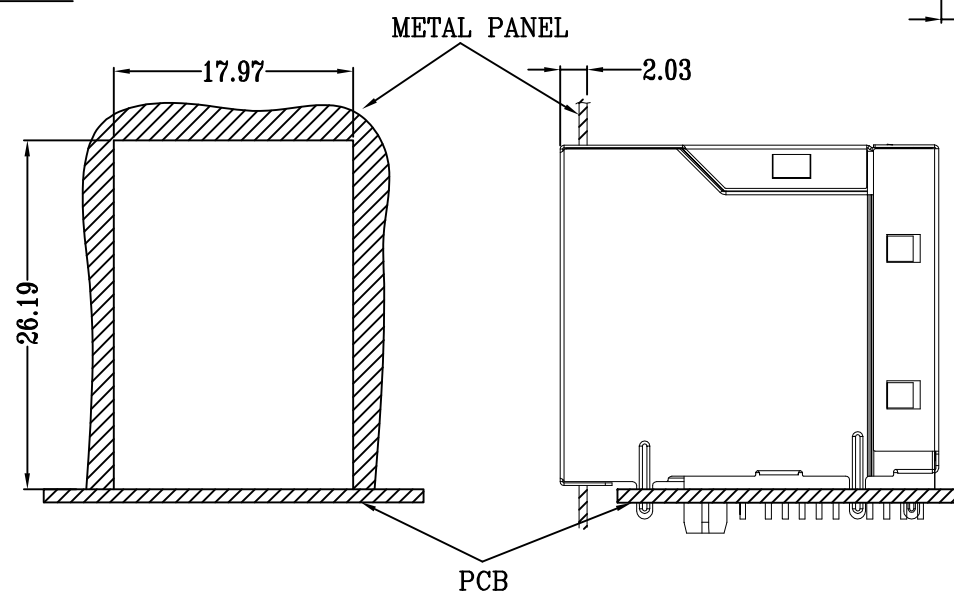
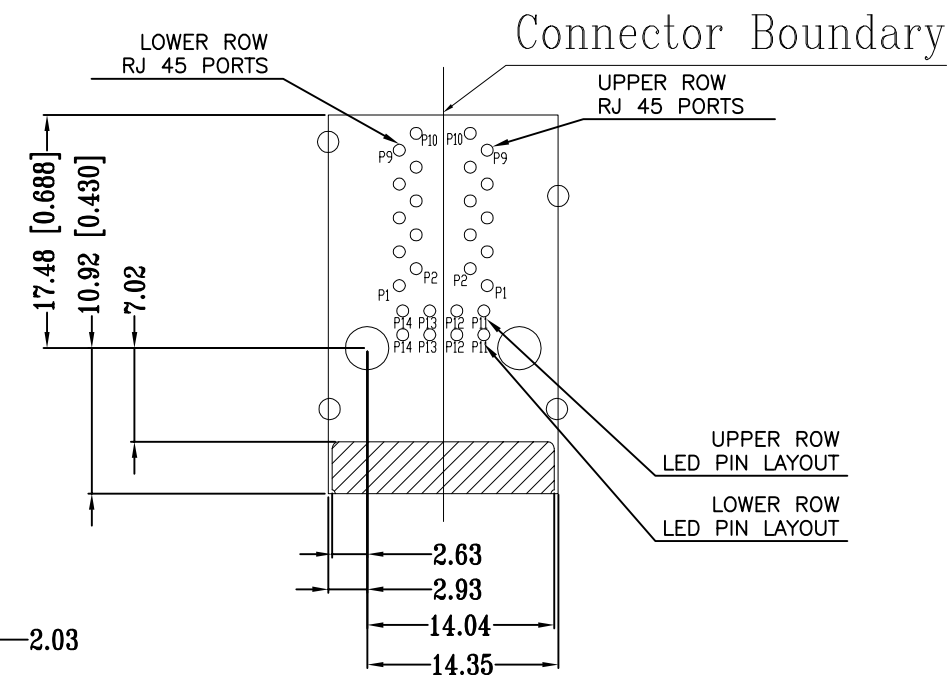
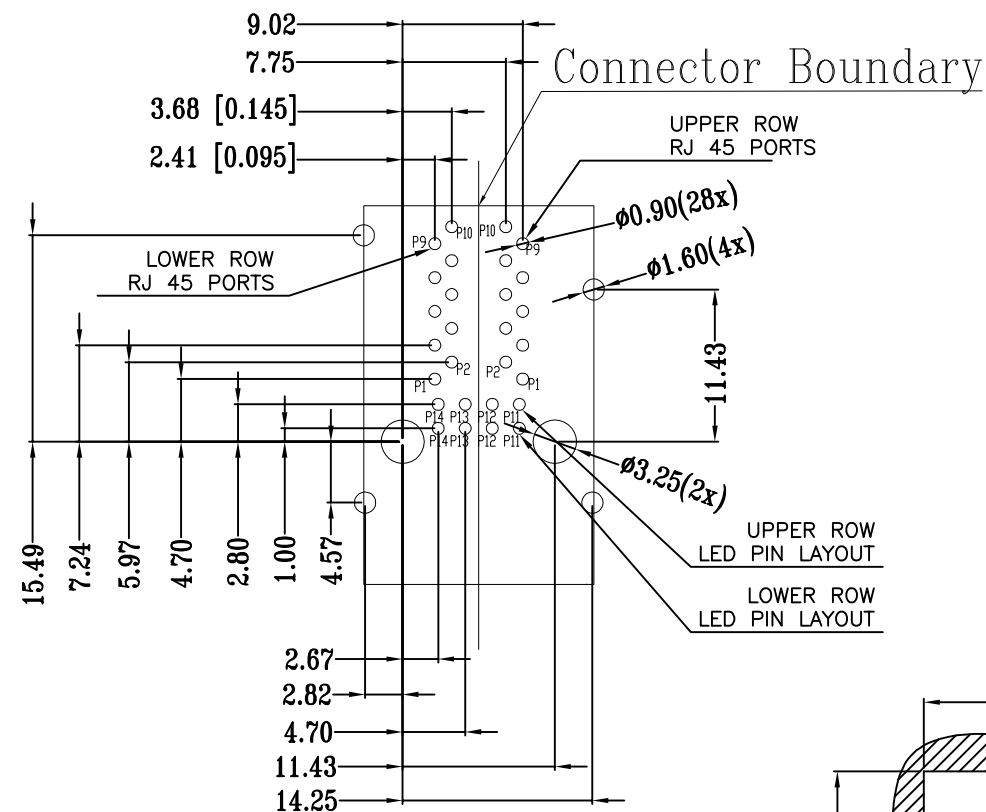
© COPYRIGHT 2013 By TE CONNECTIVITY

ALL RIGHTS RESERVED.

REVISIONS

P	LTR	DESCRIPTION	DATE	DWN	APVD
-	-	SEE SHEET 1	-	-	-

SUGGESTED PCB LAYOUT



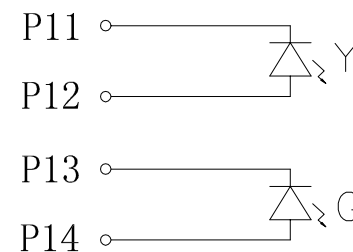
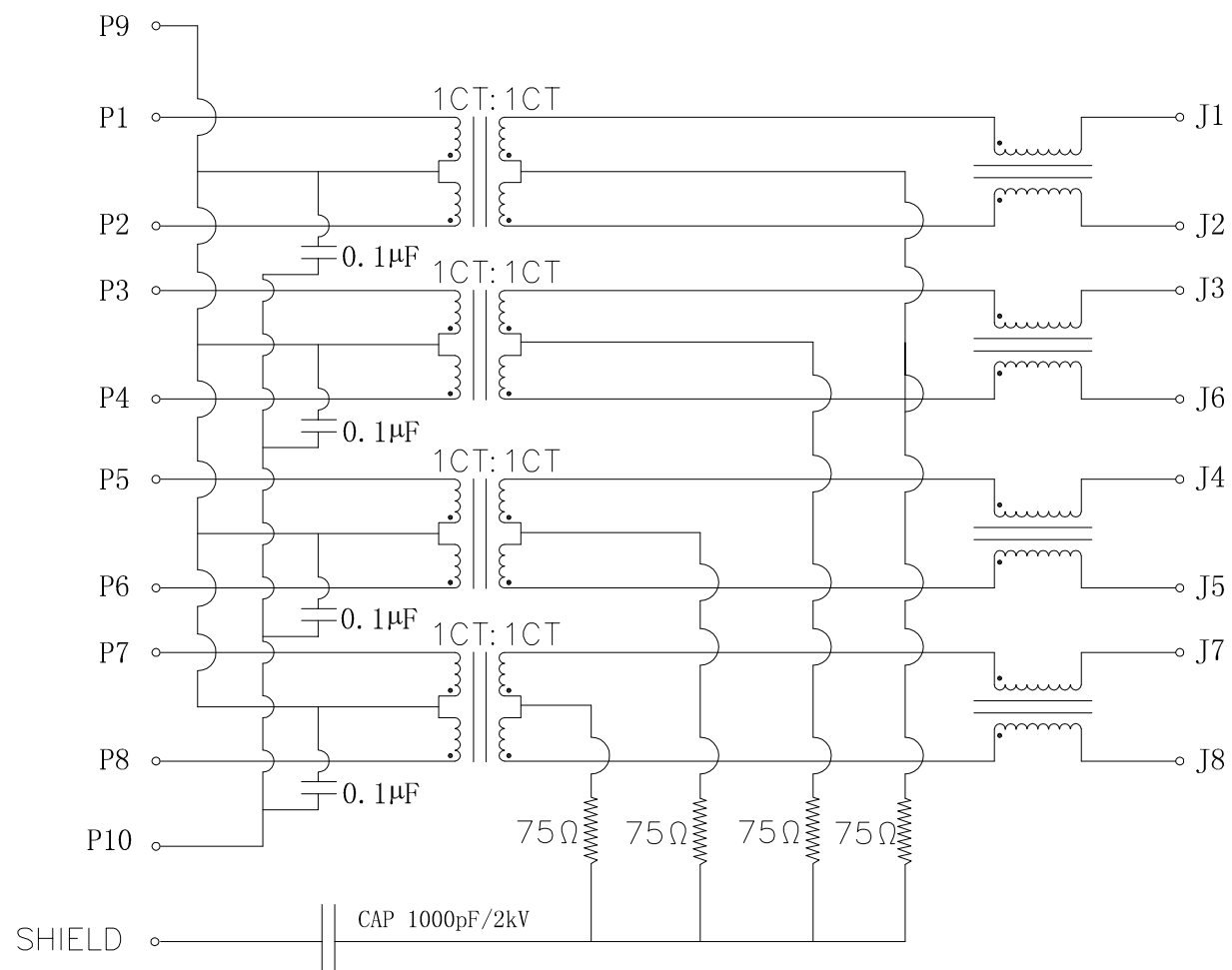
UNIT: mm
TOLERANCES: ± 0.10

THIS DRAWING IS A CONTROLLED DOCUMENT.		DWN GANESH C M 18AUG2016																	
DIMENSIONS: mm		CHK FRANZ MUELLER 18AUG2016																	
TOLERANCES UNLESS OTHERWISE SPECIFIED:		APVD MARTIN SZELAG 18AUG2016	NAME RJ45 JACK INT.MAG. 1Gb LED 2x1																
<table border="0"> <tr> <td>0 PLC</td> <td>$\pm -$</td> <td rowspan="5"> </td> </tr> <tr> <td>1 PLC</td> <td>$\pm -$</td> </tr> <tr> <td>2 PLC</td> <td>$\pm -$</td> </tr> <tr> <td>3 PLC</td> <td>$\pm -$</td> </tr> <tr> <td>4 PLC</td> <td>$\pm -$</td> </tr> <tr> <td>ANGLES</td> <td>$\pm -$</td> <td></td> </tr> </table>		0 PLC	$\pm -$		1 PLC	$\pm -$	2 PLC	$\pm -$	3 PLC	$\pm -$	4 PLC	$\pm -$	ANGLES	$\pm -$		PRODUCT SPEC 108-94552	RESTRICTED TO -		
0 PLC	$\pm -$																		
1 PLC	$\pm -$																		
2 PLC	$\pm -$																		
3 PLC	$\pm -$																		
4 PLC	$\pm -$																		
ANGLES	$\pm -$																		
MATERIAL		APPLICATION SPEC 114-94447	SIZE A3	CAGE CODE 00779	DRAWING NO C=2301997-7														
FINISH		WEIGHT	CUSTOMER DRAWING																
			SCALE 3:1	SHEET 2 of 3	REV B1														

REVISIONS

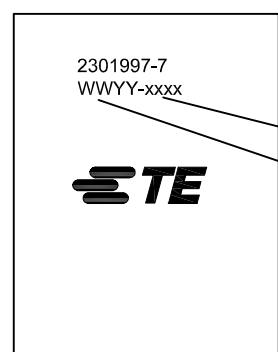
P	LTR	DESCRIPTION	DATE	DWN	APVD
-	-	SEE SHEET 1	-	-	-

ELECTRICAL CIRCUIT DIAGRAM



Pin	Yellow	Green
P11	-	P13
P12	+	P14

- 1.0 Turn Ratio @100kHz: (P1~P2):(J1~J2) = 1:1±2%
(P3~P4):(J3~J6) = 1:1±2%
(P5~P6):(J4~J5) = 1:1±2%
(P7~P8):(J7~J8) = 1:1±2%
- 2.0 Primary Inductance: 350µH MIN. @100kHz, 0.1V 8mA DC BIAS
- 3.0 DC Resistance: 1.2 OHMS MAX.
- 4.0 Insertion Loss: 1-100MHz -1.0dB MAX.
100-125MHz -1.2dB MAX.
- 5.0 Return Loss: 1-40MHz -16dB MIN.
40-60MHz -12dB MIN.
60-80MHz -10dB MIN.
80-100MHz -8dB MIN.
- 6.0 Cross Talk: 1-100MHz -30dB MIN.
- 7.0 COMMON TO COMMON MODE ATTENUATION: 1-100MHz -30dB MIN.
- 8.0 Isolation: PHY Side to Line Side: 2250VDC



CONTROL CODE
DATE CODE
"0213"
YY-YEAR
WW-WEEK

FCC

THIS DRAWING IS A CONTROLLED DOCUMENT.		DWN 18AUG2016 GANESH C M	TE Connectivity RJ45 JACK INT.MAG. 1Gb LED 2x1	
DIMENSIONS: mm		CHK 18AUG2016 FRANZ MUELLER		
TOLERANCES UNLESS OTHERWISE SPECIFIED:		APVD 18AUG2016 MARTIN SZELAG	NAME	
0 PLC ± -		PRODUCT SPEC	-	
1 PLC ± -		108-94552	-	
2 PLC ± -		APPLICATION SPEC	-	
3 PLC ± -		114-94447	-	
4 PLC ± -	FINISH	WEIGHT	SIZE A3	CAGE CODE 00779
ANGLES ± -	1	CUSTOMER DRAWING	DRAWING NO C=2301997-7	RESTRICTED TO -
		SCALE 3:1	SHEET 3 of 3	REV B1