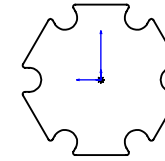
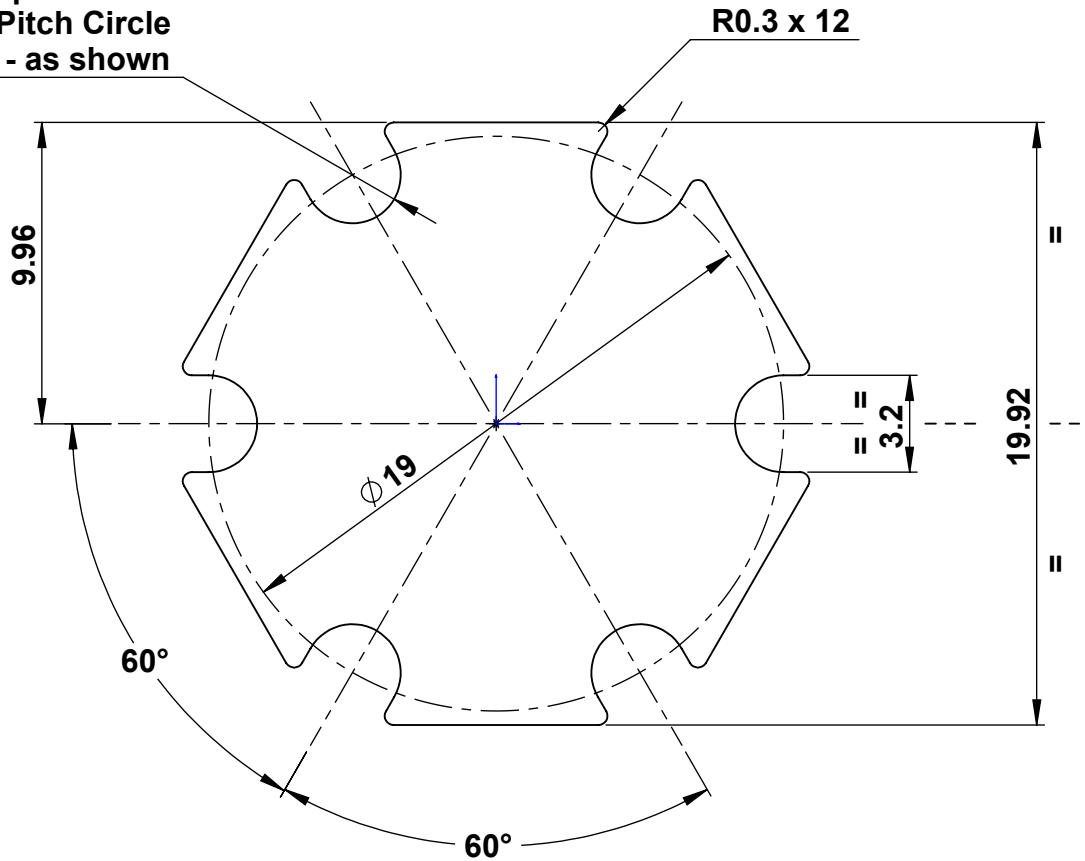


R1.6 x 6
Equally Spaced on
19.0mm. Pitch Circle
Diameter - as shown



REFERENCE VIEW

Scale:- Full Size

UNLESS OTHERWISE SPECIFIED:
 DIMENSIONS ARE IN Millimetres
 SURFACE FINISH:
 TOLERANCES:
 LINEAR:
 ANGULAR:

	NAME	DATE
DRAWN	L. Simpson	14 th July 2012
CHK'D		
APPV'D		
MFG		
Q.A		

**t-Global
 Technology**

MATERIAL:
**t-Global Thermal
 Material L37-3F**
 Thickness T = 0.3mm.

PART No.

LP0001/01-L37-3F-0.3-2A

WEIGHT:

DO NOT SCALE DRAWING REVISION

LP0001/01-Material Ref.- Thickness(T mm.)

Ordering No. LP0001/01-L37-3F-0.3-2A

TITLE:

LUMI-PAD
 For LED Configuration

SHEET 1 OF 1

A4