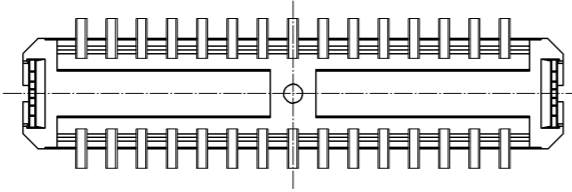
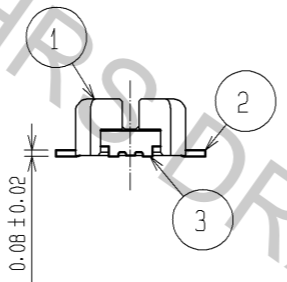
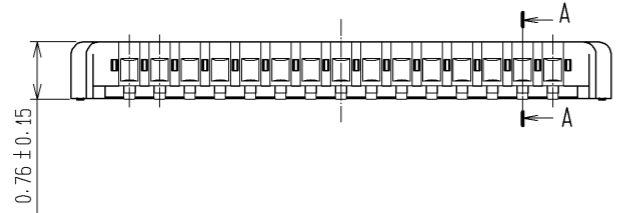
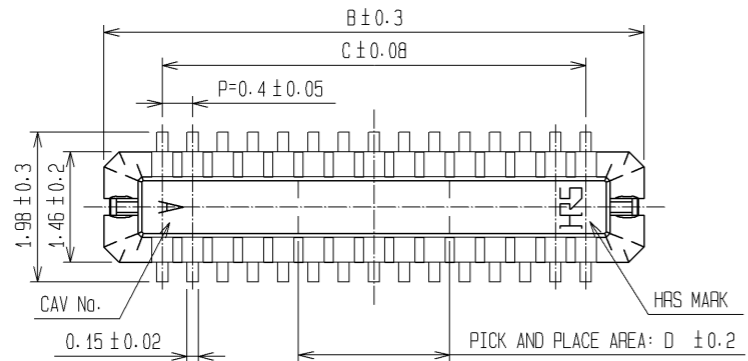
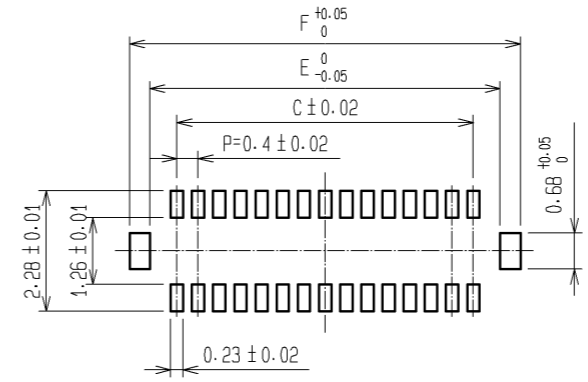


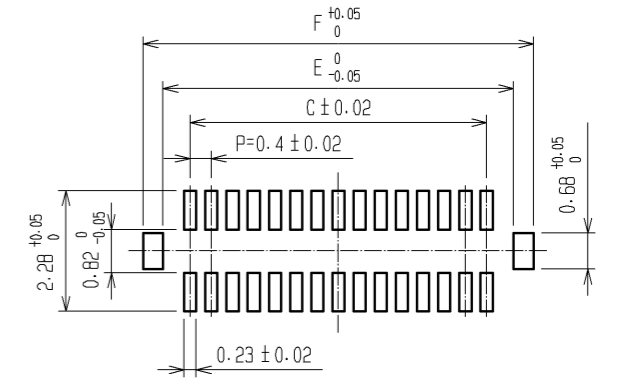
May.1.2017 Copyright 2017 HIROSE ELECTRIC CO., LTD. All Rights Reserved.



RECOMMENDED METAL MASK OPENING PATTERN

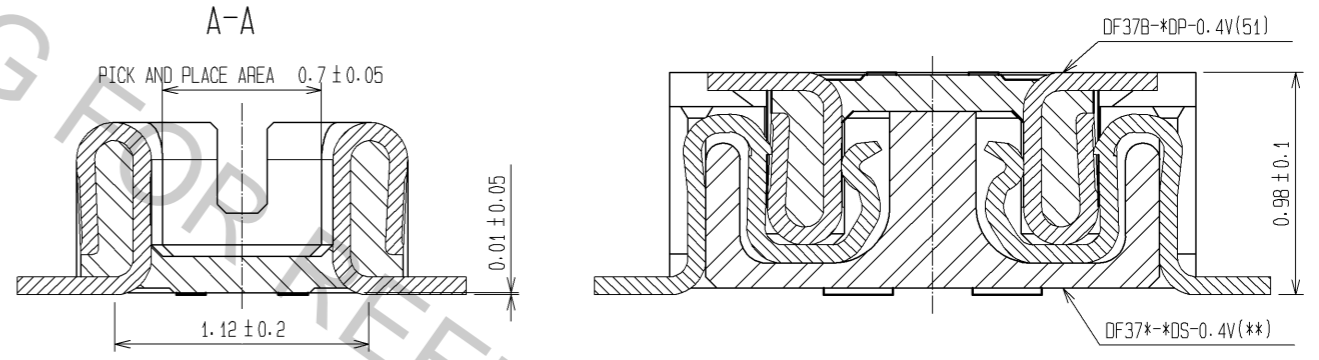


RECOMMENDED PATTERN



RECOMMENDED SOLDER PASTE THICKNESS : 120µm

ENGAGEMENT FIGURE



- NOTE 1. ALL LEADS CO-PLANARITY SHALL BE 0.1 MAX.
 2. PER REEL : 8000 CONNECTORS.
 3. AT THE BEGINNING OF THE REEL, 100 mm AT MIN SHALL BE EMPTY POCKETS.
 AT THE END OF THE REEL, 160 mm AT MIN SHALL BE EMPTY.
 4. CONTACT PLATING SPECIFICATIONS.
 CONTACT AREA : GOLD 0.05µm MIN.
 SMT LEAD : GOLD 0.05µm MIN.
 UNDERPLATING : NICKEL 1µm MIN.
 (SURFACE : SEALING)
 5. METAL HOLD DOWN PLATING SPECIFICATIONS.
 MOUNTING AREA: GOLD 0.05µm MIN.
 UNDERPLATING : NICKEL 1µm MIN.
 6. PEEL FORCE OF COVER TAPE REFERS TO JIS C 0806.

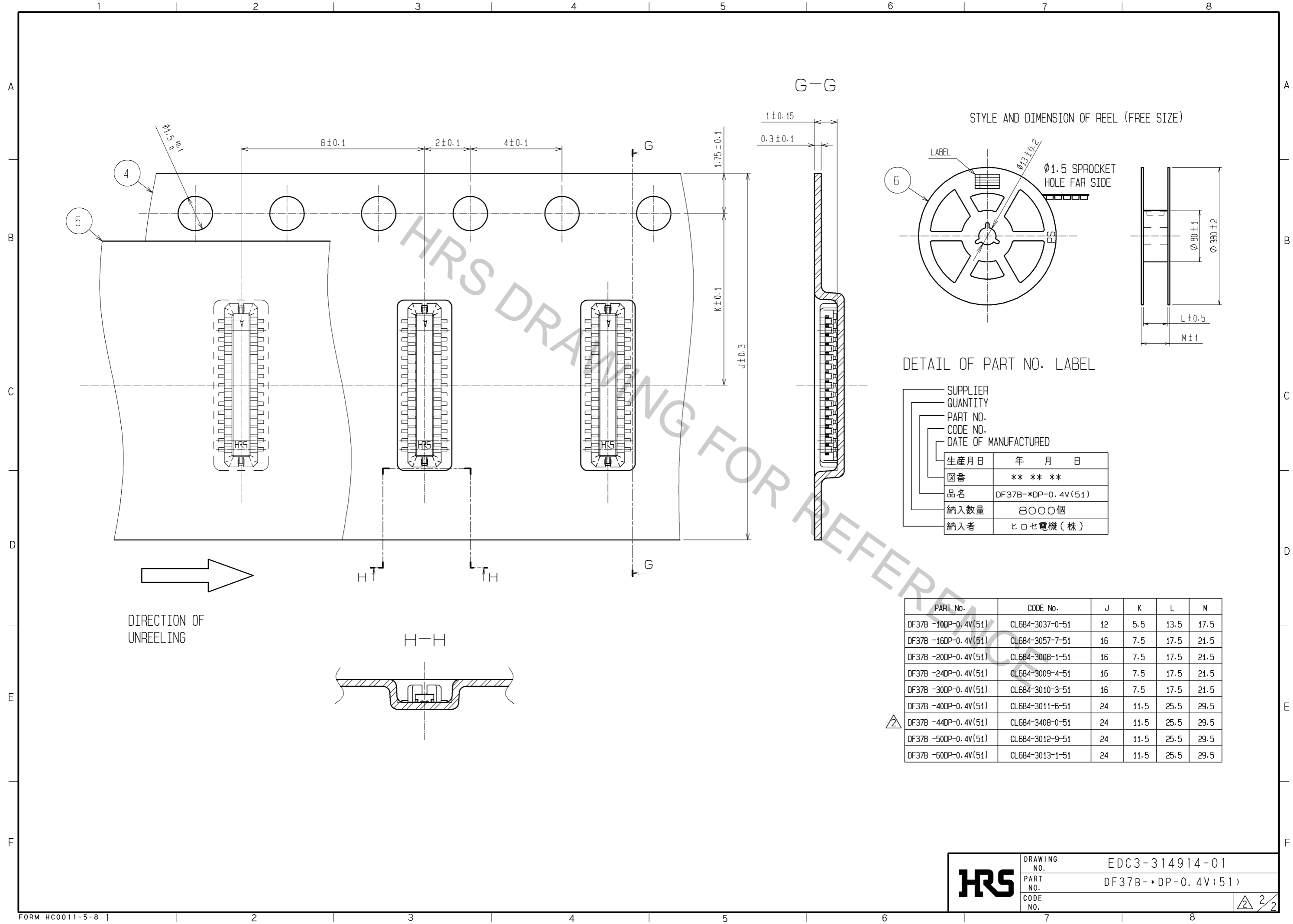
PART No.	CODE No.	B	C	D	E	F
DF37B -10DP-0.4V(51)	CL684-3037-0-51	3.14	1.6	0.8	2.62	3.38
DF37B -16DP-0.4V(51)	CL684-3057-7-51	4.34	2.8	1.2	3.82	4.58
DF37B -20DP-0.4V(51)	CL684-3008-1-51	5.14	3.6	1.6	4.62	5.38
DF37B -24DP-0.4V(51)	CL684-3009-4-51	5.94	4.4	2	5.42	6.18
DF37B -30DP-0.4V(51)	CL684-3010-3-51	7.14	5.6	2	6.62	7.38
DF37B -40DP-0.4V(51)	CL684-3011-6-51	9.14	7.6	2.4	8.62	9.38
DF37B -44DP-0.4V(51)	CL684-3408-0-51	9.94	8.4	2.8	9.42	10.18
DF37B -50DP-0.4V(51)	CL684-3012-9-51	11.14	9.6	2.8	10.62	11.38
DF37B -60DP-0.4V(51)	CL684-3013-1-51	13.14	11.6	3.2	12.62	13.38

NO.	MATERIAL	FINISH	REMARKS	NO.	MATERIAL	FINISH	REMARKS
3	PHOSPHOR BRONZE	5		6	PS		PLASTIC REEL (BLACK)
2	PHOSPHOR BRONZE	4		5	POLYESTER		CLEAR(COVER TAPE)
1	LCP		UL94V-0, BLACK	4	PS		CLEAR(EMBOSSED CARRIER TAPE)

UNITS	SCALE	COUNT	DESCRIPTION OF REVISIONS	DESIGNED	CHECKED	DATE
mm	FREE	2	DIS-H-005494	KR. AJITO	TS. MIYAZAKI	11.02.04

APPROVED	DATE	DRAWING NO.
MO. NAKAMURA	07.01.30	EDC3-314914-01
CHECED	DATE	PART NO.
KH. IKEDA	07.01.30	DF37B-*DP-0.4V(51)
DESIGNED	DATE	CODE NO.
KY. MIDORIKAWA	07.01.30	
DRAWN	DATE	
KY. MIDORIKAWA	07.01.30	

May.1.2017 Copyright 2017 HIROSE ELECTRIC CO., LTD. All Rights Reserved.



DETAIL OF PART NO. LABEL

SUPPLIER	生産月日	年	月	日
QUANTITY	函番	**	**	**
PART NO.	品名	DF37B-*DP-0.4V(51)		
CODE NO.	納入数量	8000個		
DATE OF MANUFACTURED	納入者	ヒロセ電機(株)		

PART No.	CODE No.	J	K	L	M
DF37B -10DP-0.4V(51)	CL684-3037-0-51	12	5.5	13.5	17.5
DF37B -16DP-0.4V(51)	CL684-3057-7-51	16	7.5	17.5	21.5
DF37B -20DP-0.4V(51)	CL684-3008-1-51	16	7.5	17.5	21.5
DF37B -24DP-0.4V(51)	CL684-3009-4-51	16	7.5	17.5	21.5
DF37B -30DP-0.4V(51)	CL684-3010-3-51	16	7.5	17.5	21.5
DF37B -40DP-0.4V(51)	CL684-3011-6-51	24	11.5	25.5	29.5
DF37B -44DP-0.4V(51)	CL684-3408-0-51	24	11.5	25.5	29.5
DF37B -50DP-0.4V(51)	CL684-3012-9-51	24	11.5	25.5	29.5
DF37B -60DP-0.4V(51)	CL684-3013-1-51	24	11.5	25.5	29.5

HRS	DRAWING NO.	EDC3-314914-01
	PART NO.	DF37B-*DP-0.4V(51)
	CODE NO.	
	2/2	