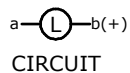
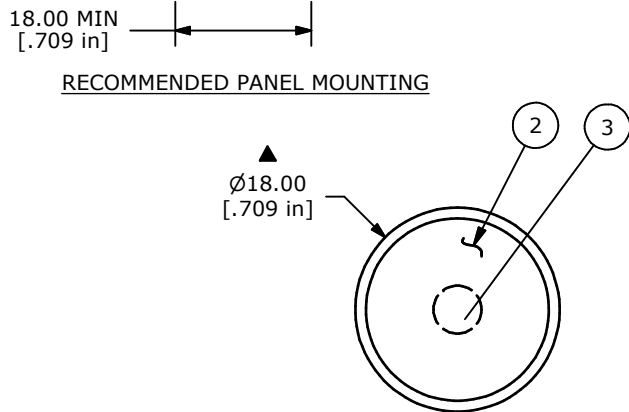
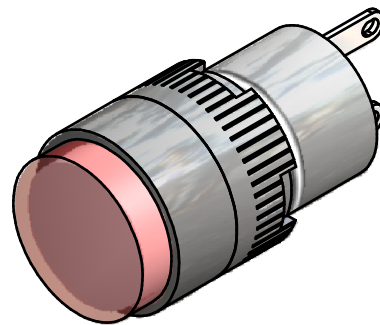
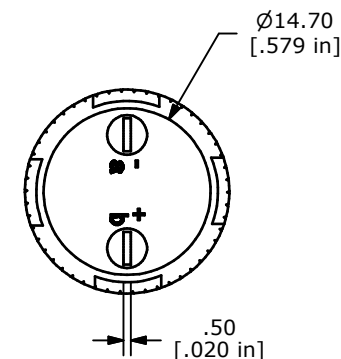
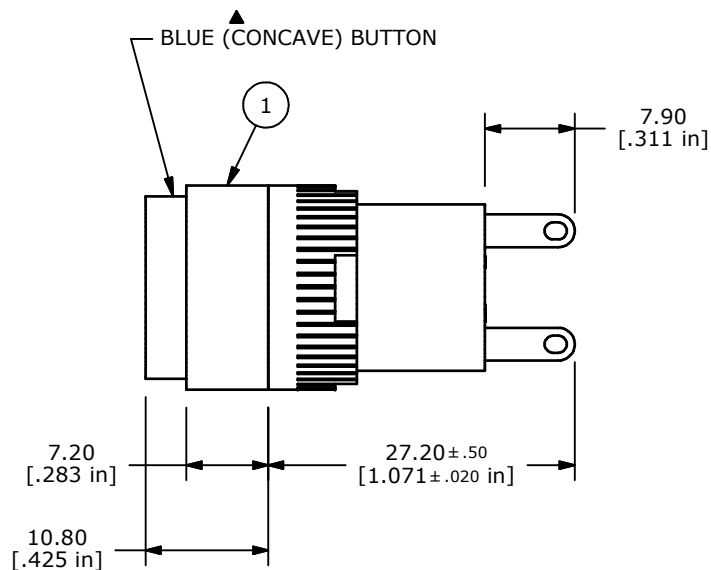


RECOMMENDED PANEL MOUNTING



- NOTE:
1. ALL DIMENSIONS IN MM [INCH]
 2. GENERAL TOLERANCE: X.X=±0.4
X.XX=±0.25
 3. TERMINAL NUMBERS FOR REF ONLY
 4. OPERATING TEMP: -25°C to +55°C
 5. STORAGE TEMP: -40°C TO +85°C
 - ▲6. LAMP VOLTAGE: 110VAC NEON RED
 7. SEAL: PROTECTED TO IP40.
 8. PANEL THICKNESS: 0.5 - 5.0 mm
 9. PACKAGE: 20 PER BOX
 10. ▲ DENOTES CRITICAL PARAMETER.
 11. 2002/95/EC (ROHS) COMPLIANT.



PARTS LIST			
ITEM	QTY	PART NUMBER	DESCRIPTION
1	1	F040003	L16PL10 BODY
2	1	F050101	50-001-01 BLUE CONCAVE TRANSPARENT LENS
3	1	F050412	50-004-12 RED NEON 110 VAC



TITLE L16PLR10FREDBLU

A	19086	RELEASED FOR PRODUCTION	5/24/10	BLR
REV	PCR NO	DESCRIPTION	DATE	BY

THE INFORMATION CONTAINED IN THIS DOCUMENT IS PROPRIETARY TO E-SWITCH AND IS NOT TO BE COPIED OR TRANSFERRED

SCALE	DATE	DR	DWG	REV
1.5:1	5/24/2010	BLR	XF0819P	A