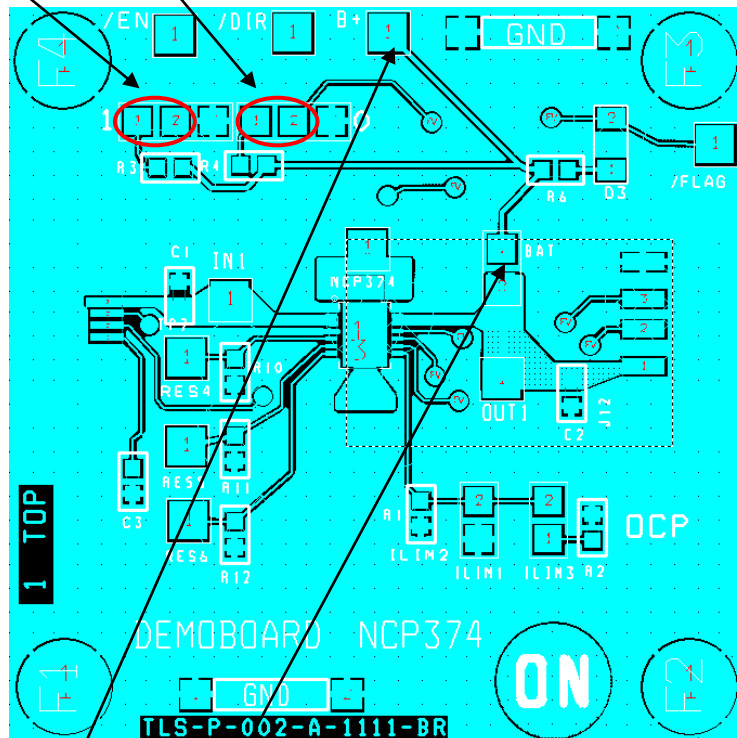




Test Procedure for the NCP374MU075GEVB Evaluation Board

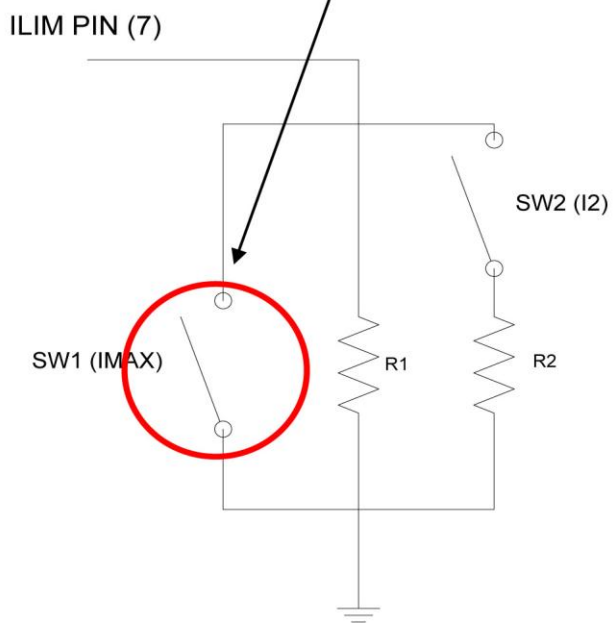
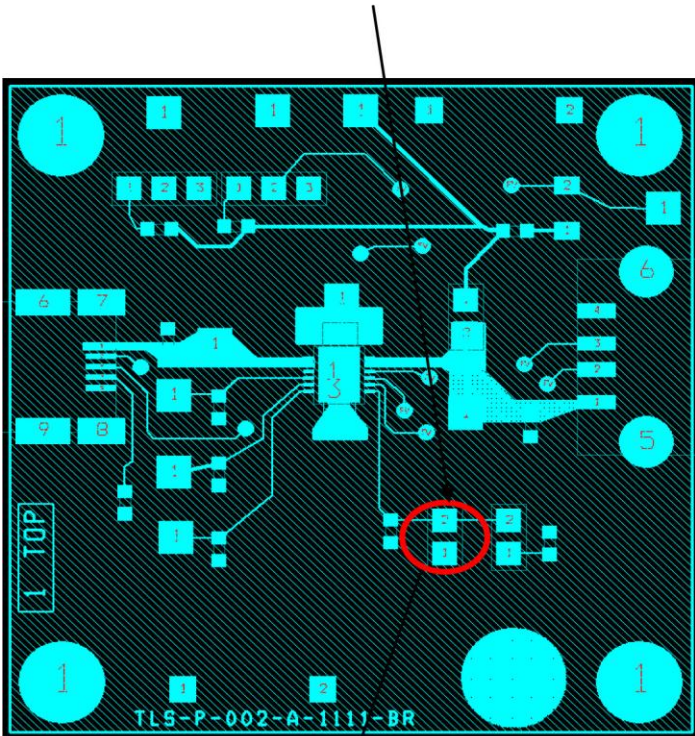
Connecting Process

1. Place /EN strap and /DIR strap on left side ("1" logic) (connected to Vbat, through pull up resistor)



2. Connect a Battery or power supply (4.2V) on Battery test point. (min 2A capability)
3. Let Battery strap opened.

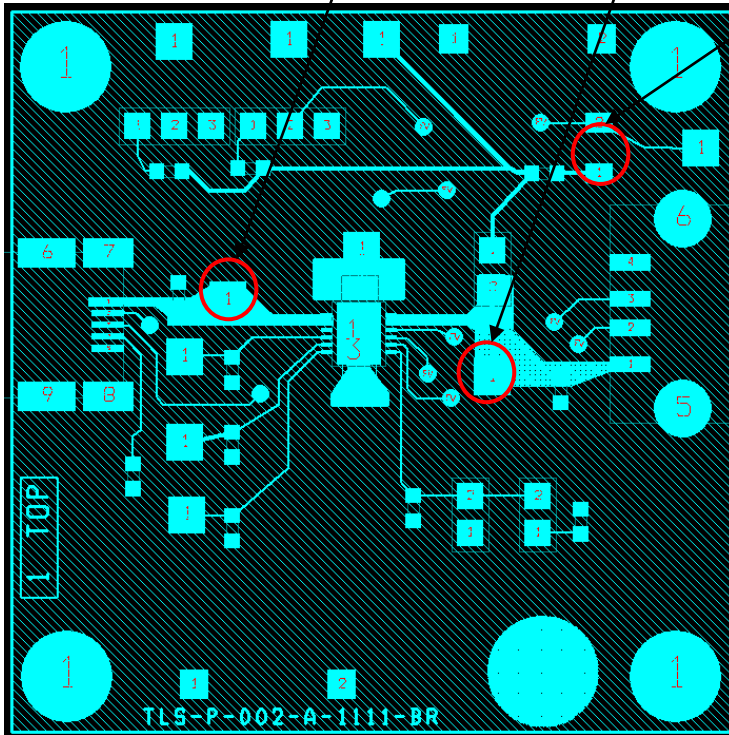
4. Connect strap on Ilim.





Disable Mode:

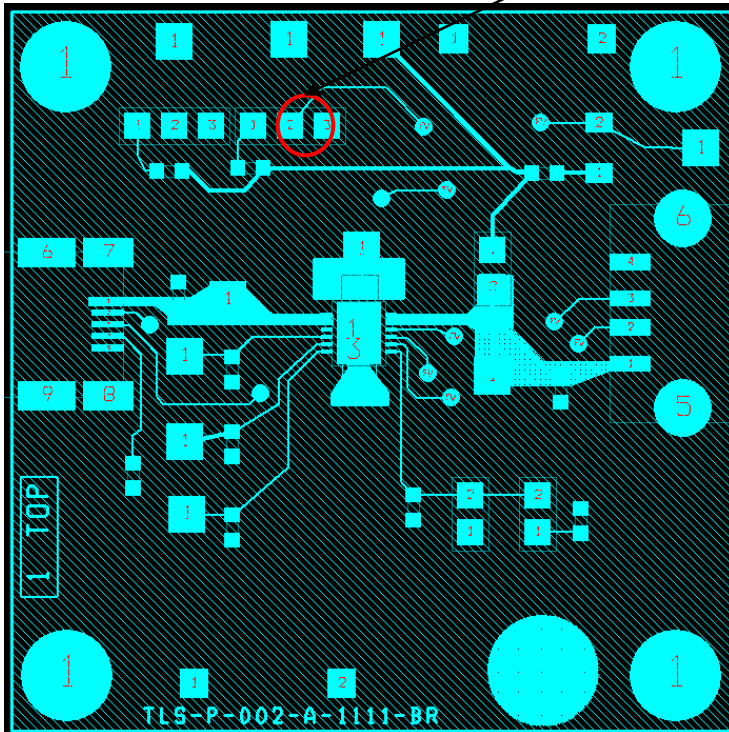
5. Connect 10 V capability Vin Supply on IN1 test point.
 - a. Set power supply to 5V ⇒ Check OUT1 = 0V and LED = off





Direct Mode:

- 6. Switch /DIR from left to right, 1 logic level to 0 logic level



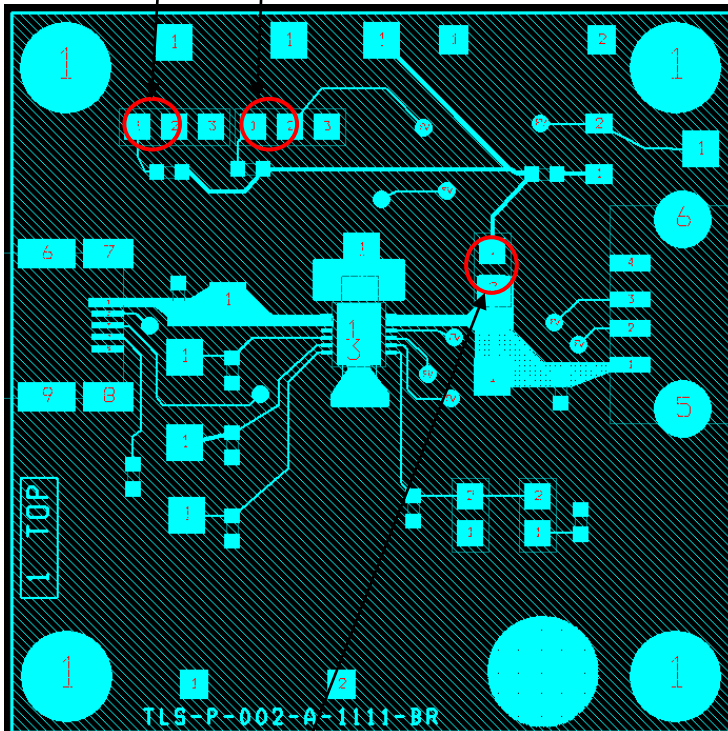


7. Check OUT1=5V and Flag LED is still off
8. Set Vin=7V
9. Check Flag LED = on, and OUT1 is 0V.

Disconnect IN1 supply

Reverse Mode:

10. Set /DIR=1, /EN=1
Disconnect Vin Power Supply from IN1 test point.
Connect 100 ohms on IN1 test point.



Connect Strap on OUT.

11. Set /DIR=1, /EN=0: Vout= Vin
Power off.
12. Set /DIR=1, /EN=1
13. Disconnect load on IN1
14. Disconnect B+ supply

Please contact Application Engineer for further information.
Bernard.remaury@onsemi.com