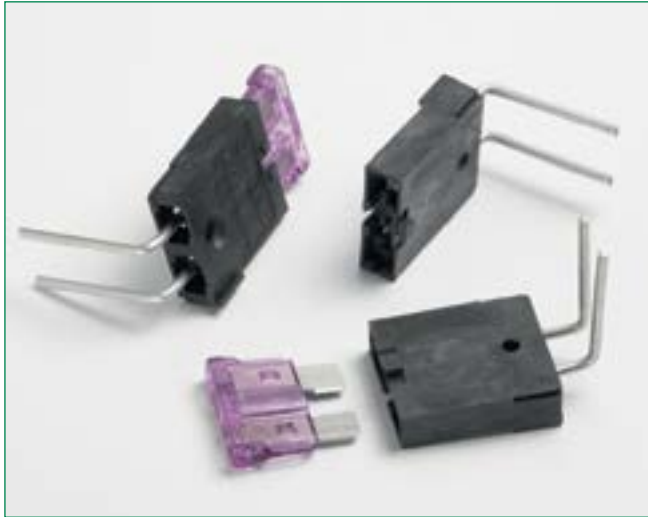


# FKH FUSE HOLDER WITH 90° CONNECTION

for ATO® Style Blade Fuse Rated 80V

**RoHS**



## Description

Fuse Holder for ATO® / FKS size fuses-links. 90° bended solderable tin plated contacts. Rated voltage 80V.

## Specifications

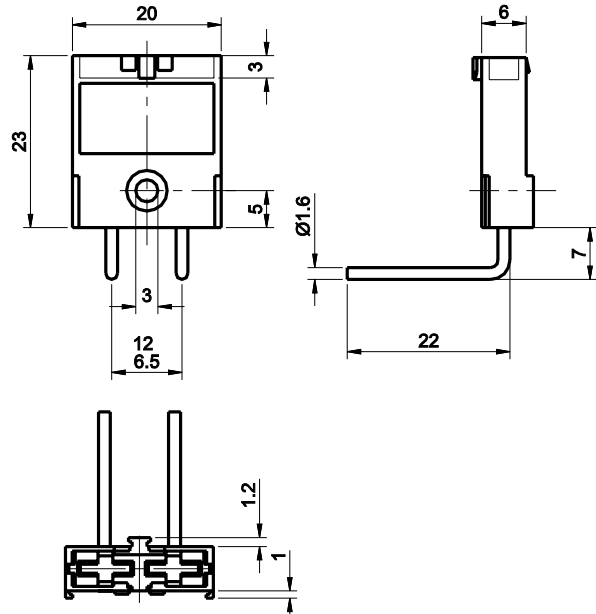
Housing: Out of thermoplastic (UL 94-V0, heat-resistant)  
 Connections: Leaf spring connector systems, soldering contacts (2 pins), copper alloy, tinned  
 Color: Black

## Ordering Information

Part Number	Package Size
178.7017.0001	100

## Dimensions

Dimensions in mm



## Ratings

Part Number	Description	Contact Temperature
178.7017.0001	Complete	max. 130°C

Corresponding fuse links see Section "Blade Fuses."