

SAFETY ORGANIZATION(S)

THIS FILTER HAS BEEN FORMALLY RECOGNIZED, CERTIFIED OR APPROVED BY THE LISTED AGENCY. THEREFORE, ALL TEST/REQUIREMENTS SPECIFIED IN THE LATEST REVISION OF THE FOLLOWING AGENCY STANDARDS HAVE BEEN MET:

UL RECOGNIZED
CSA CERTIFIED
VDE APPROVED

UL 544
CSA 22.2, NO. 0, 0, 4, B
VDE 0565-3, 0625

OPERATING SPECIFICATIONS

LINE VOLTAGE/CURRENT,
6 AMP., 120/250 VAC
6 AMP./40°C, 250 VAC
50-60Hz
30°C

LINE FREQUENCY,
MAX. CASE RISE @ RATED CURRENT,
MAX. LEAKAGE CURRENT, EACH
LINE TO GROUND

2µA @ 120V 60 Hz
5µA @ 250V 50 Hz
-10°C TO +40°C @ RATED CURRENT, I_r

IN AN AMBIENT, T_a, HIGHER THAN 40°C, THE MAXIMUM OPERATING CURRENT, I_o, IS AS FOLLOWS:

$$I_o = I_r \sqrt{\frac{85 - T_a}{45}}$$

RELIABILITY SPECIFICATIONS

STORAGE TEMPERATURE,
HUMIDITY,
CURRENT OVERLOAD TEST,

-40°C TO +85°C
21 DAYS @ 40°C 95% RH
6 TIMES RATED CURRENT FOR 8 SECONDS

TEST SPECIFICATIONS

INDUCTANCE,
CAPACITANCE, (MEASURED @ 1 KHz, 0.25 VAC MAX., 25°C ±1°C)

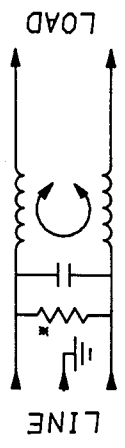
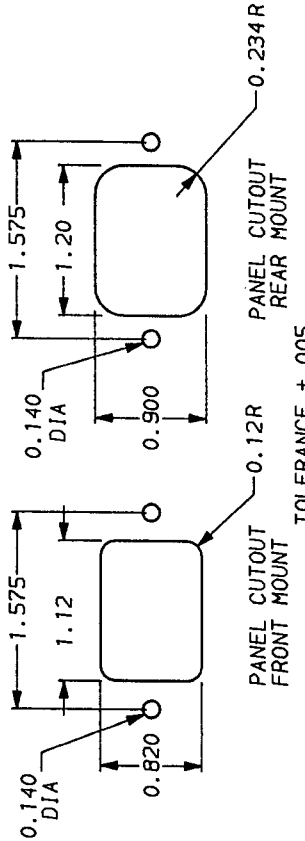
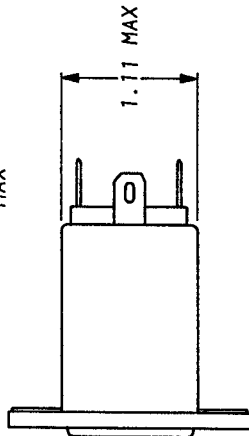
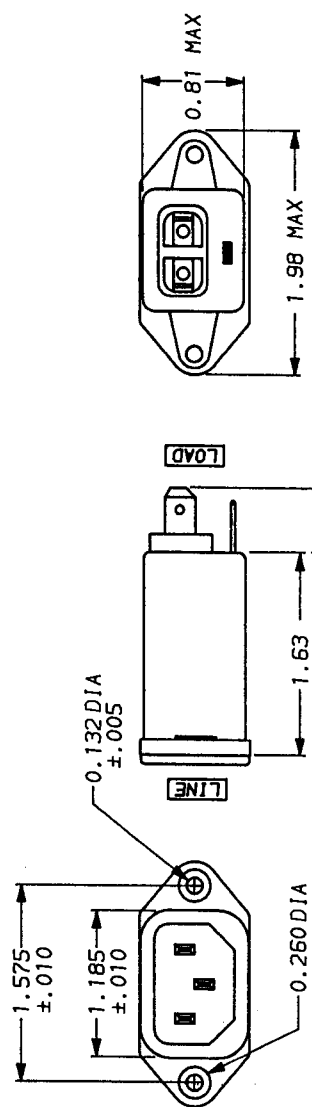
.465 mH NOMINAL
ZERO
.009µF ±20%
1.5 MΩ
6000 MΩ (MIN) AT 100 VDC
20°C AND 50% RH

RECOMMENDED RECEIVING INSPECTION HIPOTL.

1500 VAC FOR 1 MINUTE
1450 VDC FOR 1 MINUTE

FILTER APPROVAL

THE BEST WAY TO SELECT AND QUALIFY A FILTER IS FOR YOUR ENGINEERING TO TEST THE UNIT IN YOUR EQUIPMENT.



50µ - 50µ (MINIMUM) INSERTION LOSS

FREQUENCY MHz	.10	.15	.50	1	1.5	3	5	10	30
COMMON	5	6	19	21	22	23	24	26	15
DIFF. dB	-	-	-	2	5	14	19	26	27

This document is proprietary to CORCOM INC. and is not to be reproduced nor used for manufacturing purposes except on CORCOM's order or prior written consent.

TOLERANCE EXCEPT AS NOTED
DECIMAL: .XXX .XX .X ANGLES
ENGLISH: ±.025 .X
METRIC: ±

MATERIAL: AS SUPPLIED

FINISH: AS SUPPLIED

SCALE: NTS DATE: 9-19-91
REV. NO. 01
APP'D. BY: CFM
ORIGINATOR: CFM

CORCOM
LIBERTYVILLE, IL 60048

POWER LINE FILTER

RESISTOR ADDED TO PRODUCT BUILT AFTER 3-30-92 (9212).