

Customer Information Sheet

DRAWING No.: D01-984XXXX

SHEET 2 OF 2

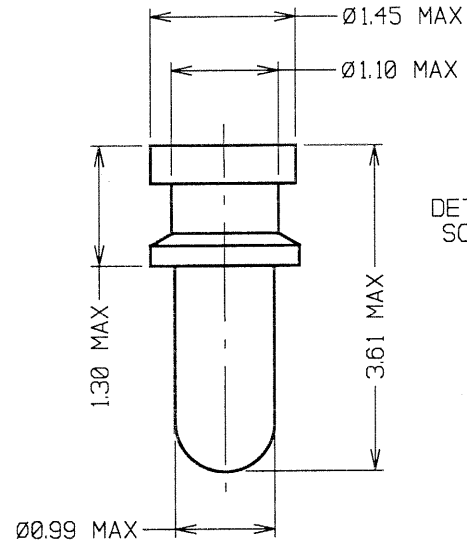
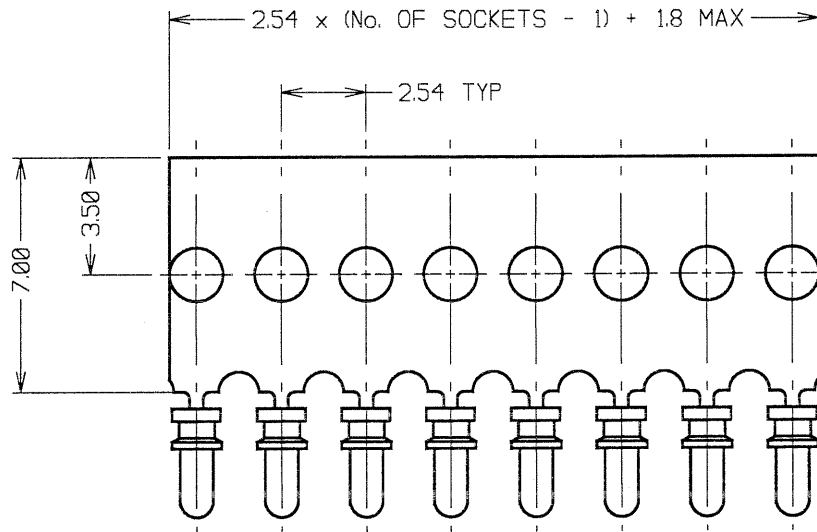
IF IN DOUBT - ASK

(C)

NOT TO SCALE

THIRD ANGLE PROJECTION

ALL DIMENSIONS IN mm



DETAILED VIEW OF SOCKET H3155-XX

SPECIFICATIONS:

MATERIAL:
 CARRIER - BRASS
 CONTACT SHELL - BRASS
 CONTACT CLIP - BERYLLIUM COPPER

FINISH:
 01 - 0.1µ GOLD CLIP, 4µ TIN SHELL
 05 - 0.1µ GOLD CLIP, 0.13µ GOLD SHELL

ELECTRICAL:
 CURRENT RATING - 2 AMPS MAX
 CONTACT RESISTANCE - 25 MILLIOHMS MAX

MECHANICAL:
 DURABILITY - 500 CYCLES
 INSERTION FORCE - 6N MAX, 2N MIN
 WITHDRAWAL FORCE - 1.5N MAX, 0.5N MIN

ENVIRONMENTAL:
 OPERATING TEMPERATURE - -55°C TO +100°C
 FOR COMPLETE SPECIFICATION, SEE COMPONENT SPECIFICATION C006XX (LATEST ISSUE)

NOTES:

1. RECOMMENDED HOLE SIZE = Ø1.10-1.00mm.
2. MAXIMUM PIN LENGTH = 3.15mm.
3. RECOMMENDED PIN DIAMETER = Ø0.51-0.41mm.
4. MAXIMUM CONTACT DEPTH = 2.26mm.

ORDER CODE: **D01-984XXXX**

NO. OF SOCKETS _____
 04 TO 32

FINISH: _____
 01 = GOLD CLIP, TIN SHELL
 05 = GOLD CLIP, GOLD SHELL

JMB	8	16.03.06	9093
NAME	ISS.	DATE	C/NOTE
APPROVED: <i>[Signature]</i>			
CHECKED: <i>[Signature]</i>			
DRAWN:		J. KEIR	
CUSTOMER REF.:			
ASSEMBLY DRG:			

HARWIN

HARWIN USA TEL: 603 893 5376 FAX: 603 893 5396 mis@harwin.com	HARWIN Europe (UK) TEL: 023 9231 4545 FAX: 023 9231 4590 mis@harwin.co.uk	HARWIN Asia TEL: +65 6 779 4909 FAX: +65 6 779 3868 mis@harwin.com.sg
--	--	--

THIS DRAWING AND ANY INFORMATION OR DESCRIPTIVE MATTER SET OUT HEREON ARE CONFIDENTIAL AND COPYRIGHT PROPERTY OF THE HARWIN GROUP AND MUST NOT BE DISCLOSED, LOANED, COPIED OR USED FOR MANUFACTURING, TENDERING OR FOR ANY OTHER PURPOSE WITHOUT THEIR WRITTEN PERMISSION.

TOLERANCES
 X - ±1mm
 X.X - ±0.25mm
 X.XX - ±0.10mm
 X.XXX - ±0.01mm
 ANGLES = +5°
 UNLESS STATED

MATERIAL:
 SEE ABOVE

FINISH: SEE ABOVE

S/AREA: mm²

TITLE:
 H3155-XX SUB-MIN SOCKETS ON CARRIER STRIP

DRAWING NUMBER:
D01-984XXXX

SHT
 2 OF 2