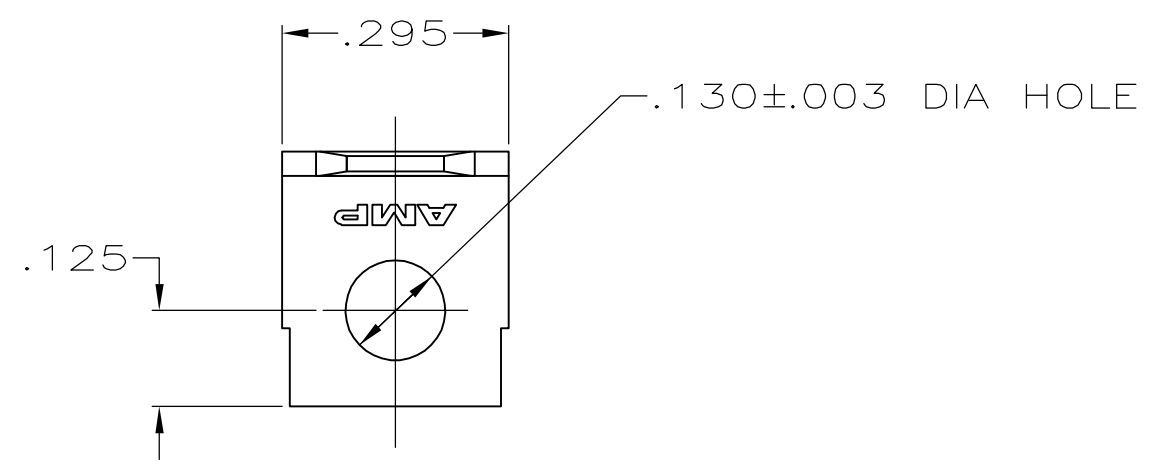
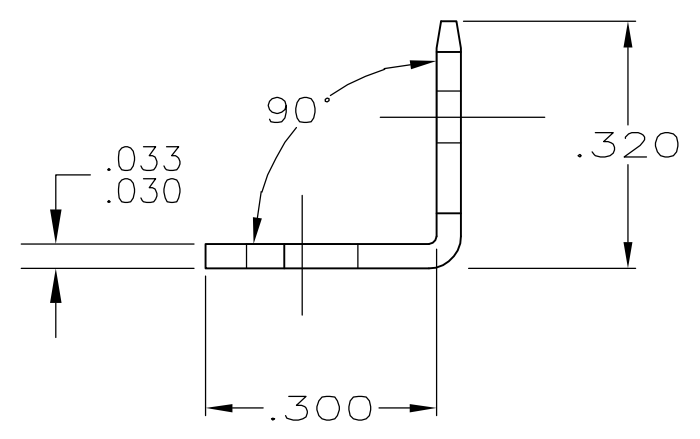
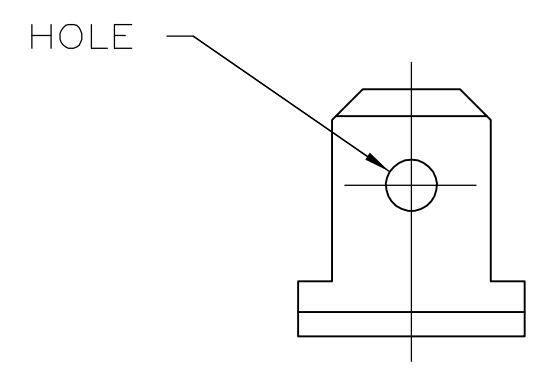


THIS DRAWING IS UNPUBLISHED. RELEASED FOR PUBLICATION
 © COPYRIGHT - BY TYCO ELECTRONICS CORPORATION. ALL RIGHTS RESERVED.

LOC	DIST	REVISIONS					
AF	50	P	LTR	DESCRIPTION	DATE	DWN	APVD
			E	REV PER ECR-05-017287	07APR06	HMR	JR



1 SUPPLIED IN LOOSE PIECE.



61836-1
 PART NO.

THIS DRAWING IS A CONTROLLED DOCUMENT.		DWN JR RUTH 1/10/97	Tyco Electronics Corporation Harrisburg, PA 17105-3608	
DIMENSIONS: INCHES		CHK MS FEHER 1/10/97		
		APVD P DESANTIS 1/10/97	NAME	
TOLERANCES UNLESS OTHERWISE SPECIFIED:		PRODUCT SPEC	TAB, FASTON, .205 SERIES	
0 PLC ± -		APPLICATION SPEC	SIZE	CAGE CODE
1 PLC ± -			A3	00779
2 PLC ± -			DRAWING NO	RESTRICTED TO
3 PLC ± .015			C-61836	
4 PLC ± -				
ANGLES ± -		WEIGHT	SCALE	
FINISH		-	4:1	SHEET
MATERIAL			1 OF 1	REV
082 BRASS				E
CUSTOMER DRAWING				