

Customer Information Sheet

DRAWING No.: S1621-XXR

SHEET 2 OF 2

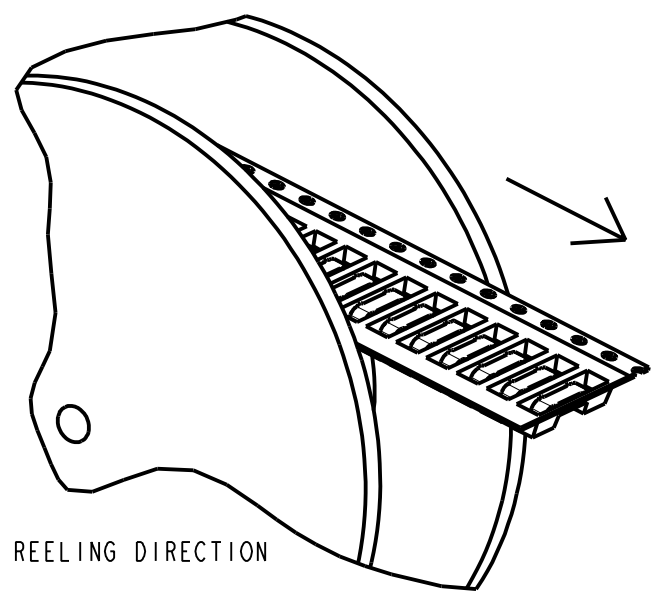
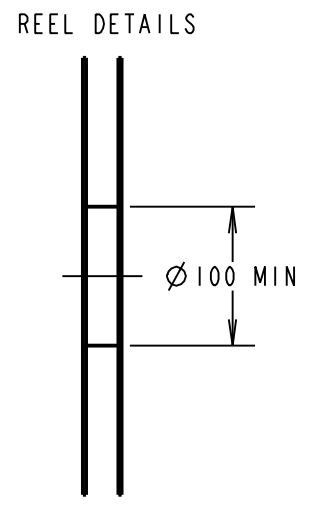
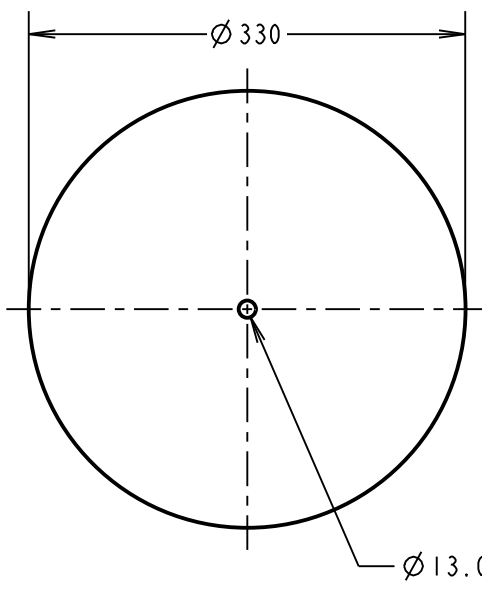
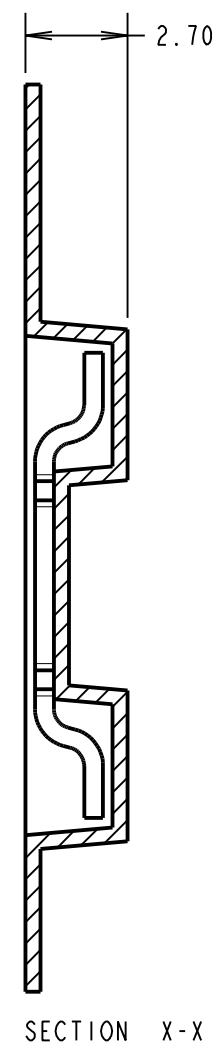
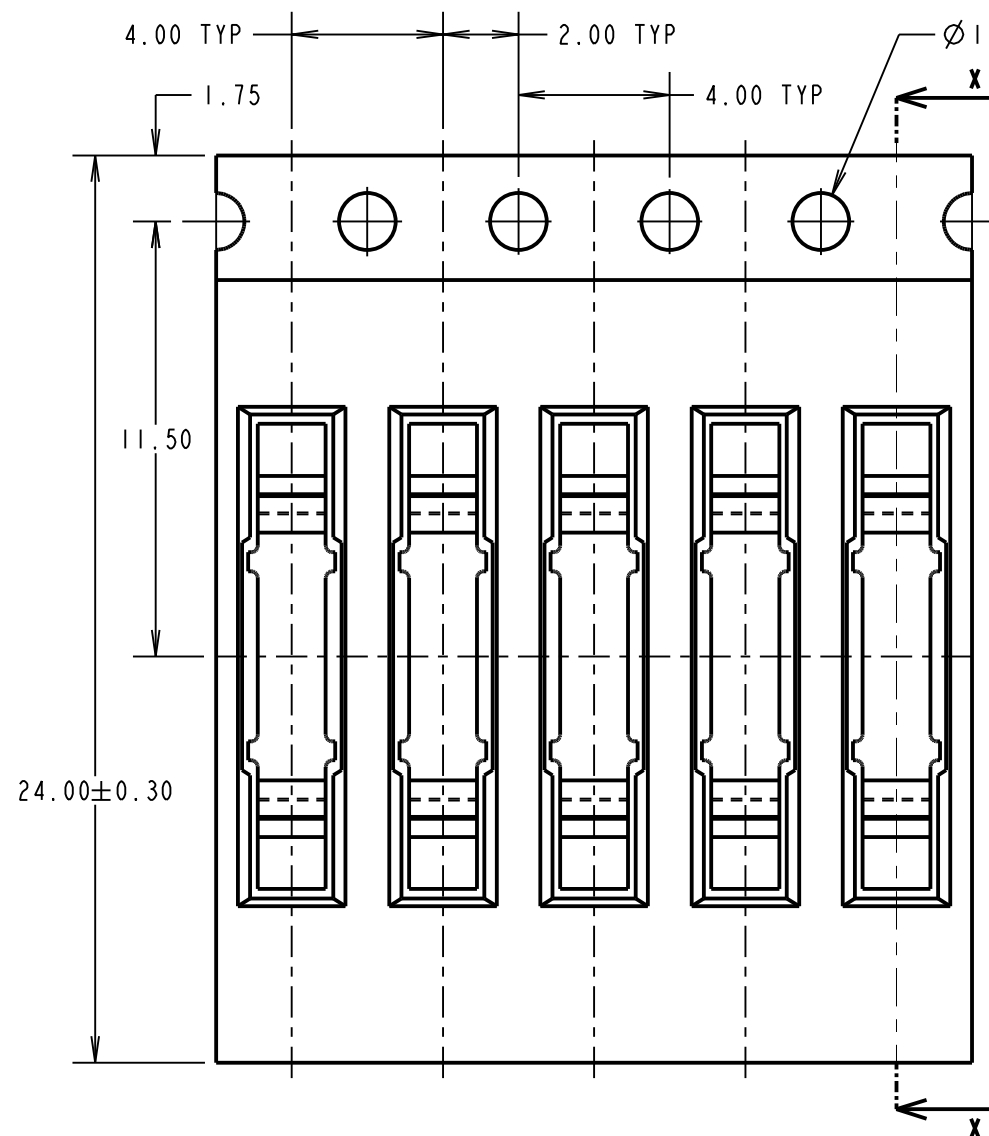
IF IN DOUBT - ASK

©

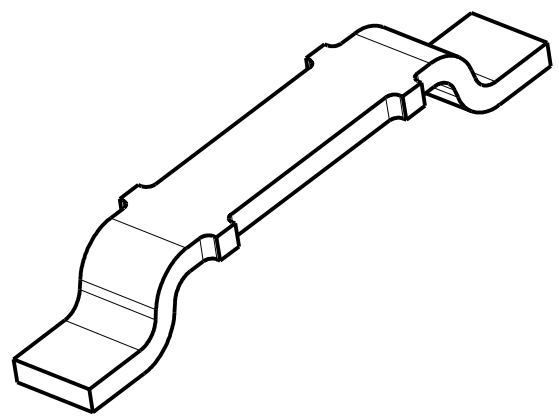
NOT TO SCALE

THIRD ANGLE PROJECTION

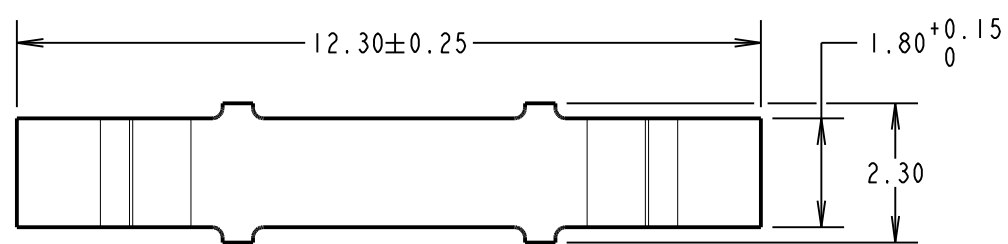
ALL DIMENSIONS IN mm



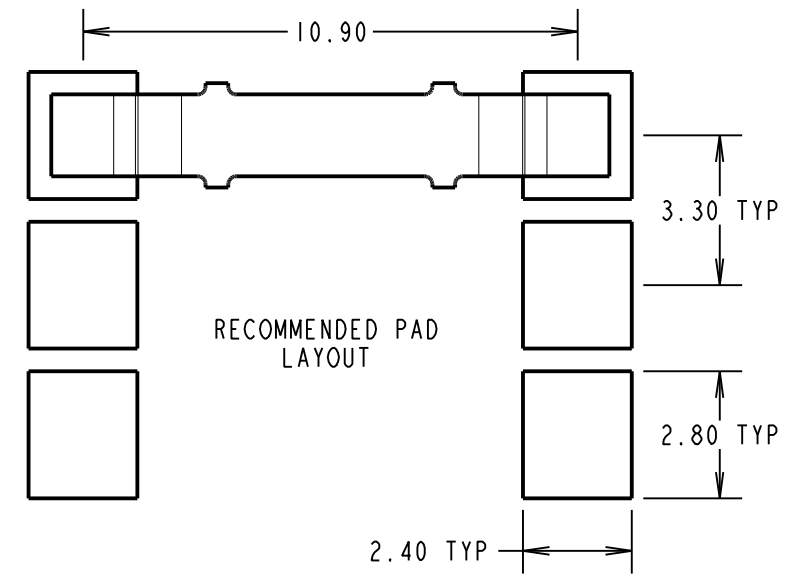
- NOTES:
1. QUANTITY PER REEL = 5,000.
 2. THIS PRODUCT IS TAPED AND REELED IN ACCORDANCE WITH EIA-481 (ELECTRONIC INDUSTRIES ASSOCIATION).
 3. FOR LOOSE COMPONENTS, SEE S1621-XX..



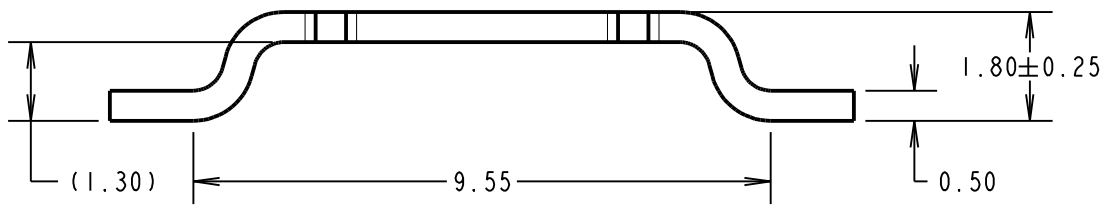
COMPONENT SPECIFICATION:
 MATERIAL = BRASS CW508L 1/2 HARD
 FINISH
 06 = 4µ 90/10 TIN/LEAD
 46 = 4µ 100% TIN
 ELECTRICAL:
 CURRENT RATING = 10A (30°C TEMP RISE)
 CONTACT RESISTANCE = 20mΩ MAX
 ENVIRONMENTAL:
 OPERATING TEMPERATURE = -40°C TO +125°C



COMPONENT DETAILS



ORDER CODE:
S1621-XXR
 FINISH
 06 - 4µ 90/10 TIN/LEAD OVER NICKEL
 46 = 3µ 100% TIN OVER NICKEL



| | | | |
|---------------------|------|----------|--------|
| MSP | 9 | 16.10.15 | 13113 |
| NAME | ISS. | DATE | C/NOTE |
| APPROVED: M. PERREN | | | |
| CHECKED: S. BENNETT | | | |
| DRAWN: W. J. BOURNE | | | |
| CUSTOMER REF.: | | | |
| ASSEMBLY DRG: | | | |

HARWIN
 www.harwin.com
 technical@harwin.com

THIS DRAWING AND ANY INFORMATION OR DESCRIPTIVE MATTER SET OUT HEREON ARE CONFIDENTIAL AND COPYRIGHT PROPERTY OF THE HARWIN GROUP AND MUST NOT BE DISCLOSED, LOANED, COPIED OR USED FOR MANUFACTURING, TENDERING OR FOR ANY OTHER PURPOSE WITHOUT THEIR WRITTEN PERMISSION.

TOLERANCES
 X. = ±1mm
 X.X = ±0.50mm
 X.XX = ±0.10mm
 X.XXX = ±0.01mm
 ANGLES = ±5°
 UNLESS STATED

MATERIAL:
 SEE ABOVE
 FINISH:
 S/AREA: mm²

TITLE:
 SURFACE MOUNT JUMPER
 (TAPE AND REELED)
 DRAWING NUMBER:
S1621-XXR
 SHT 2 OF 2