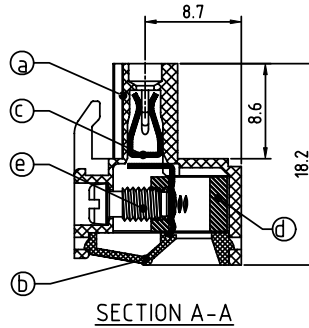
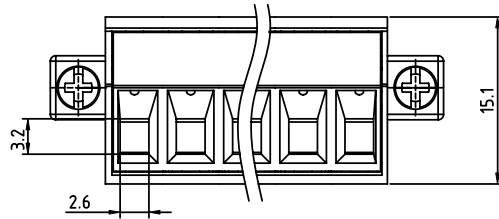
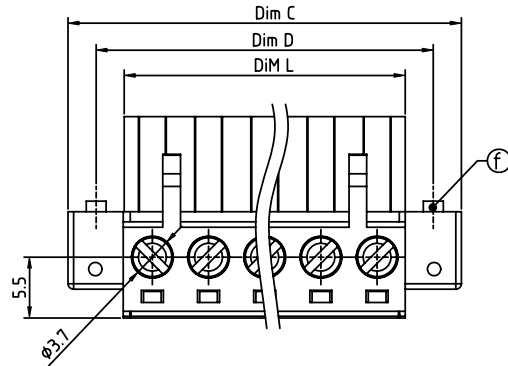
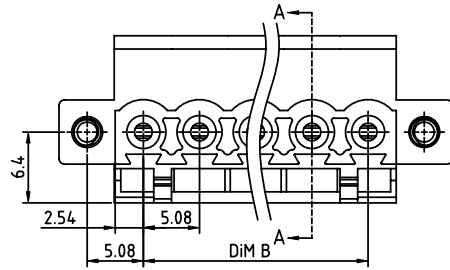


PRODUCT NUMBER	PITCH
TJxx51x700J0G	5.08 mm



Material

- Item ㉔ Terminal body: Thermoplastic (UL94V-0)
- Item ㉕ Terminal cover: Thermoplastic (UL94V-0)
- Item ㉖ Female contact: High conductivity copper Tin plated
- Item ㉗ Clamp: Brass, Ni plated
- Item ㉘ Terminal screw: Steel Zinc plating "-" slot type
- Item ㉙ With flange screw: steel M2.5 Zinc plated "+/-" slot type

Electrical cULus

- Voltage rating: 300V
- Current rating: 20A
- Solid wire (AWG): 12-24
- Stranded wire (AWG): 12-24
- Torque (Lb-In): 5
- Screw: M3
- Wire strip length: 7-8mm
- Withstanding Voltage: 1.6KV
- Operating temperature: -40°C to +115°C
- Safety Approval: us

Dimension

Dim L	Nx5.08
Dim B	(N-1)x5.08
Dim C	(N+2)x5.08
Dim D	(N+1)x5.08

N= Number of poles

Poles	Tolerance
2P-7P	±0.15
8P-12P	±0.25
13P-18P	±0.30
19P-24P	±0.40

PART NO.: TJ xx 51 x 7 0 0 J 0 G

No. of poles	Color	RoHS compliant
02 2 poles	2 Black (RAL9005)	RoHS compliant (lead<4%) In copper Alloy
03 3 poles	3 Red (RAL3001/D)	
...	4 Orange (RAL2011/P)	
...	5 Yellow (RAL1018/A)	
24 24 poles	6 Green (RAL6018/T)	
	7 Blue (RAL5015/A)	
	8 Grey (RAL7035/D)	
	9 White (RAL1102)	
	C Green (RAL6018/U)	

mat'l. code		surface ASME Y14.5	tolerance ASME Y14.5	projection 	product family TERMINAL BLOCK
ltr	ecn no	dr	date	tolerances unless otherwise specified	title TERMINAL BLOCK
				angles 	MM
				X±0.5	scale PLUGGABLE PLUG, WITH FLANGE, CONTACT ON UP SIDE
				X.X±0.3	dwg no TJxx51x700J0G
				X*±1*	sheet 1 of 1 size A4
		dr	HANKE FENG	032214	FCI
		enr	HANKE FENG	032214	
		chr	SHI JUN	032214	
		appd	SHI JUN	032214	
sheet index	revision sheet	A	1		type CUSTOMER Drawing