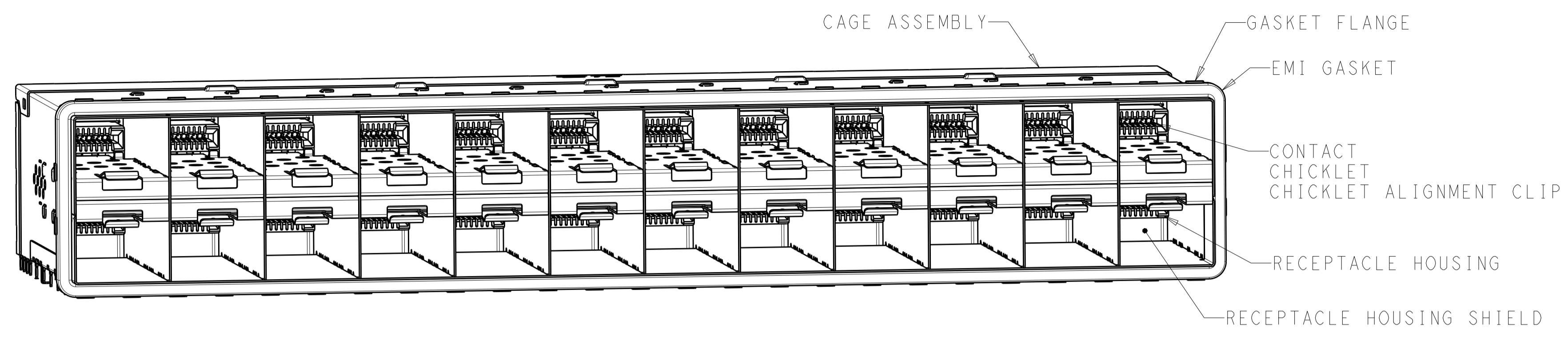
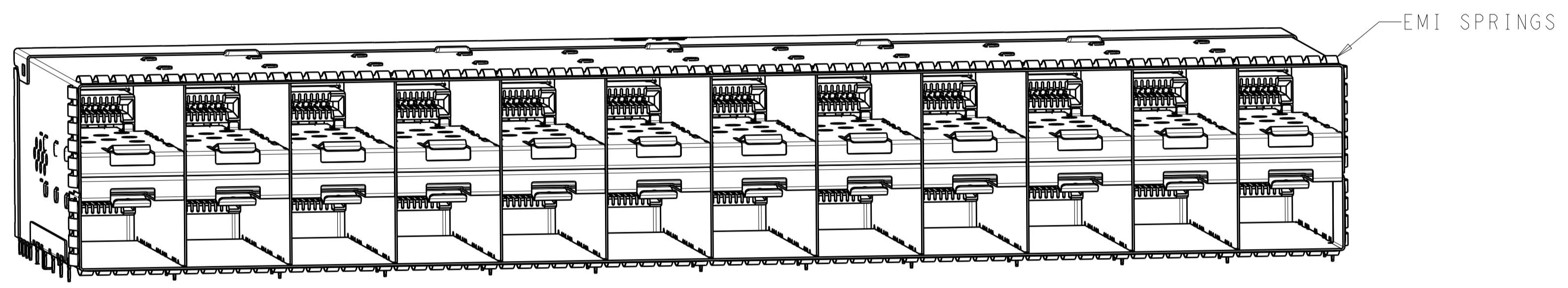


| LOC | DIST | REVISIONS | | | | | |
|-----|------|-----------|-----|-----------------|-----------|-----|------|
| GP | 00 | P | LTN | DESCRIPTION | DATE | DWN | APVD |
| | | 1 | | INITIAL RELEASE | 26JAN2015 | MS | PAR |
| | | A | | MASS PRODUCTION | 20DEC2015 | PP | SH |

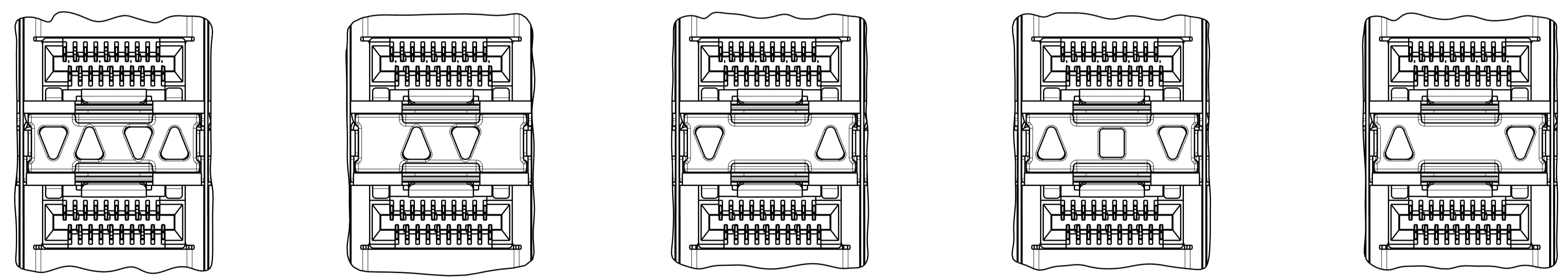


2288172-1



2288172-5

- MATERIALS:**
 CAGE ASSEMBLY - NICKEL-SILVER ALLOY PER ASTM B 122
 RECEPTACLE HOUSING - LCP, BLACK, UL 94V-0 RATED
 RECEPTACLE HOUSING SHIELD - COPPER ALLOY
 CHICKLET - LCP, BLACK, UL 94V-0 RATED
 CHICKLET ALIGNMENT CLIP - PBT
 CONTACT - COPPER ALLOY
 EMI GASKET - ELASTOMERIC
 GASKET FLANGE - STAINLESS STEEL
 LIGHT PIPE - POLYCARBONATE
 LIGHT PIPE HOUSING - ZINC ALLOY
 EMI SPRINGS - PHOSPHOR BRONZE PER ASTM B103
- CONTACT FINISH:**
 CONFORMS TO THE REQUIREMENTS OF TYCO ELECTRONICS
 PRODUCT SPECIFICATION 108-2481, BASED ON EIA/ECA-364-1000.01A,
 (CONTROLLED ENVIRONMENT APPLICATIONS) ON MATING INTERFACE,
 TIN ON NEEDLE EYE
- PCB MINIMUM THICKNESS = 1.5mm**
- FOR HOLE SIZE AND PLATINGS,
 SEE APPLICATION SPECIFICATION 114-13319
- LIGHT PIPE PAD LAYOUT IS FOR 0805 LOW PROFILE
 LED PACKAGE WITH A HEIGHT OF 0.8mm
- THE ENTIRE AREA OF THE CONNECTOR FOOTPRINT, INDICATED BY THE
 DASHED LINE, TO BE CONSIDERED THE KEEP-OUT AREA FOR COMPONENTS
 AND SIGNAL TRACES, TOP SIDE ONLY, TOP SIDE TRACES ALLOWED
 WITHIN CONNECTOR HOLE PATTERN
- DIMENSION APPLIES FROM EMI SPRINGS ONLY.



INNER/OUTER LIGHT PIPE
 2288172-2, 2288172-6
 SCALE 4:1

INNER LIGHT PIPE
 2288172-3, 2288172-7
 SCALE 4:1

OUTER LIGHT PIPE
 2288172-4, 2288172-8
 SCALE 4:1

CENTER/REVERSED OUTER
 1-2288172-7, 1-2288172-9
 SCALE 4:1

REVERSED OUTER
 1-2288172-8, 2-2288172-0
 SCALE 4:1

| | | | |
|--------|-------------|--------------------------|-------------|
| 173.5 | EMI SPRINGS | REVERSED OUTER | 2-2288172-0 |
| | | CENTER/REVERSED OUTER | 1-2288172-9 |
| 176.25 | EMI GASKET | REVERSED OUTER | 1-2288172-8 |
| | | CENTER/REVERSED OUTER | 1-2288172-7 |
| 173.5 | EMI SPRINGS | OUTER | 2288172-8 |
| | | INNER | 2288172-7 |
| | | INNER/OUTER | 2288172-6 |
| 176.25 | EMI GASKET | NONE | 2288172-5 |
| | | OUTER | 2288172-4 |
| | | INNER | 2288172-3 |
| | | INNER/OUTER | 2288172-2 |
| | | NONE | 2288172-1 |
| | | | |
| (E) | CAGE TYPE | LIGHT PIPE CONFIGURATION | PART NUMBER |

THIS DRAWING IS A CONTROLLED DOCUMENT. DIMENSIONING AND TOLERANCING PER ASME Y14.5M-2009. TOLERANCES UNLESS OTHERWISE SPECIFIED:

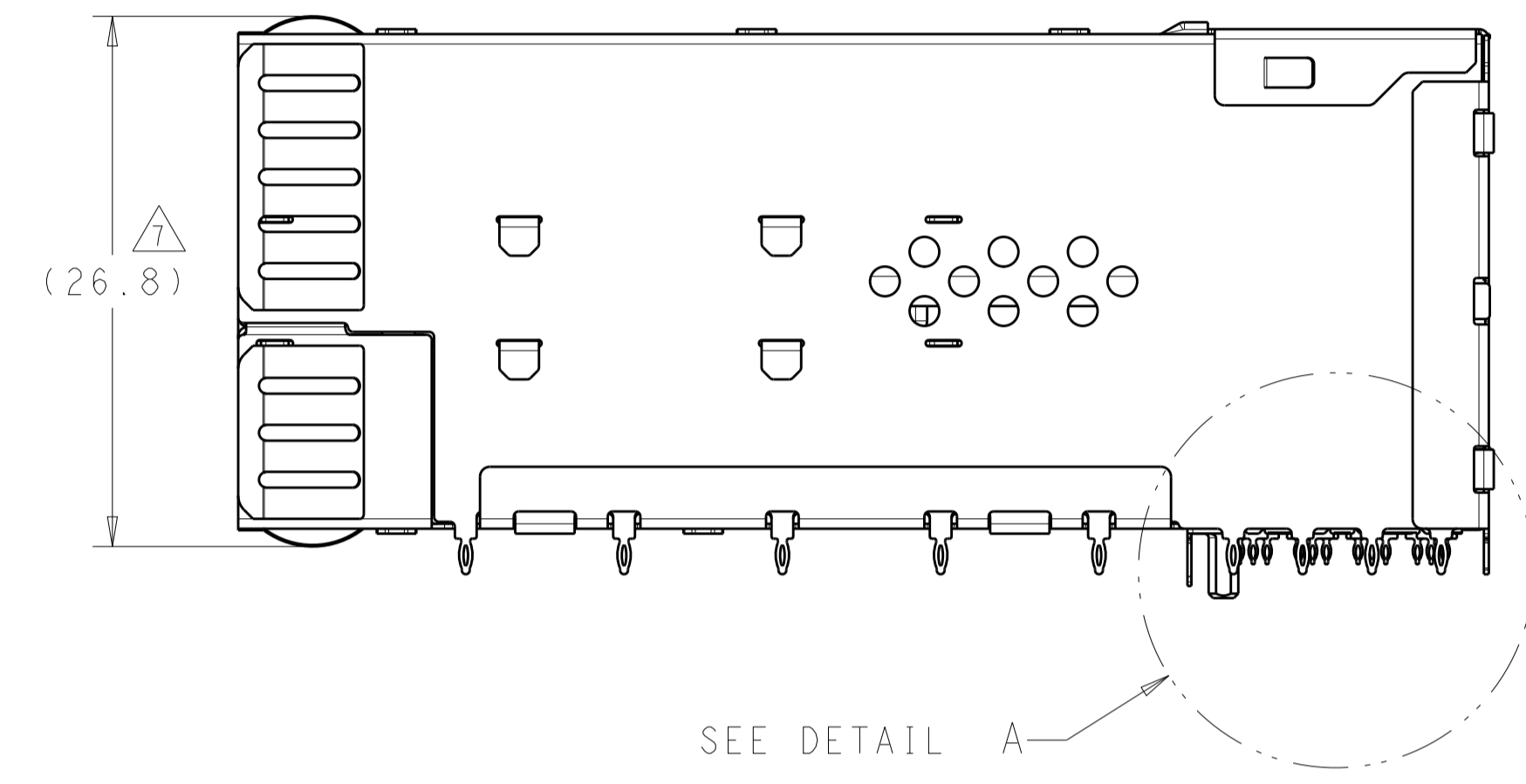
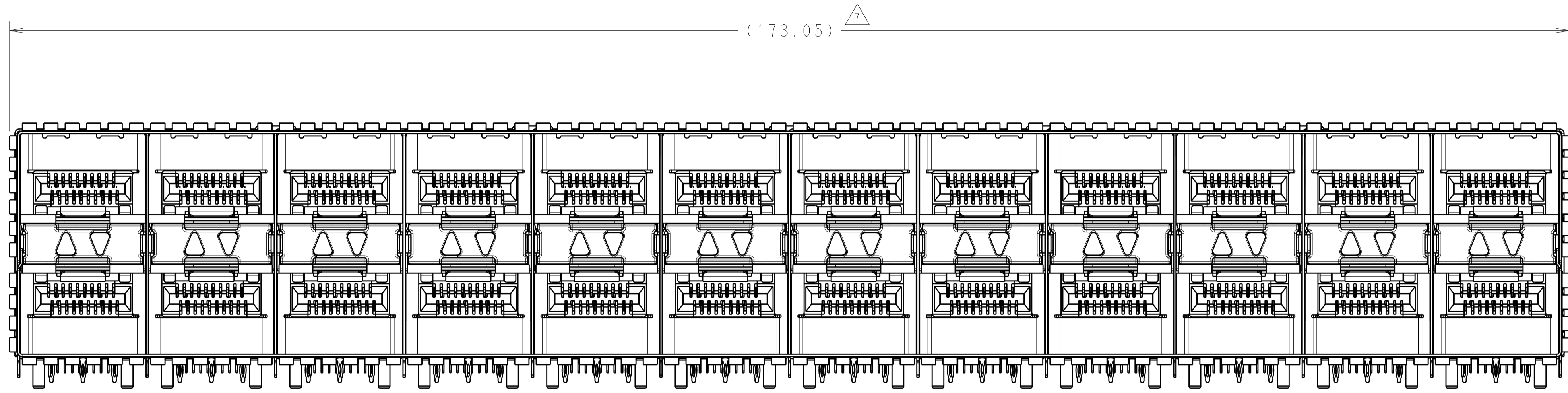
| | | |
|-------------|----|---|
| DIMENSIONS: | mm | 0 PLC ±0.10 1 PLC ±0.10 2 PLC ±0.10 3 PLC ±0.10 4 PLC ±0.10 |
| ANGLES: | | ±° |
| FINISH: | | ±" |

SEE NOTES

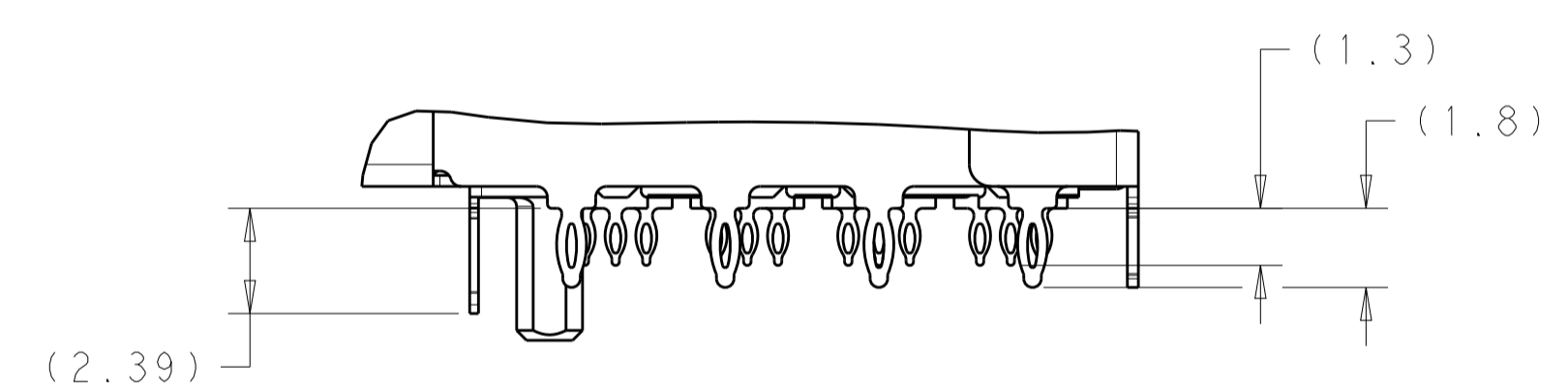
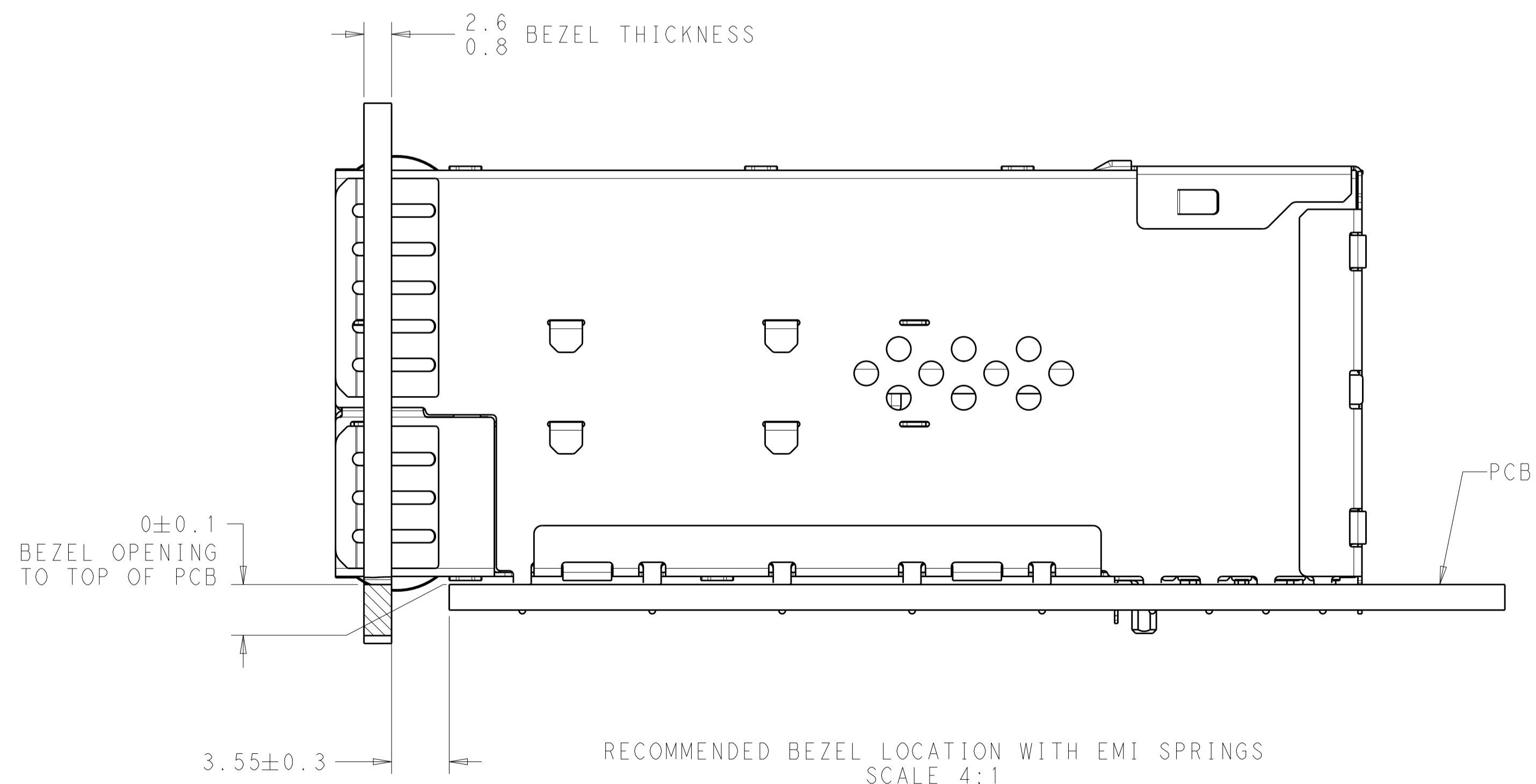
| | | | |
|------------------|---|------------|--------------------|
| APVD | 26JAN2015 | CHK | P.RECCE |
| NAME | RECEPTACLE ASSEMBLY, 2X12, STACKED, zSFP+ | | |
| PRODUCT SPEC | 108-2431 | | |
| APPLICATION SPEC | 114-13319 | | |
| SIZE | CAGE CODE | DRAWING NO | RESTRICTED TO |
| A1 | 00779 | C=2288172 | |
| WEIGHT | | | |
| CUSTOMER DRAWING | SCALE | 2:1 | SHEET 1 OF 5 REV A |

STC TE Connectivity

| LOC | DIST | REVISIONS | | | | | |
|-----|------|-----------|-----|-------------|------|-----|------|
| GP | 00 | P | LTN | DESCRIPTION | DATE | DWN | APVD |
| - | - | - | - | SEE SHEET 1 | - | - | - |



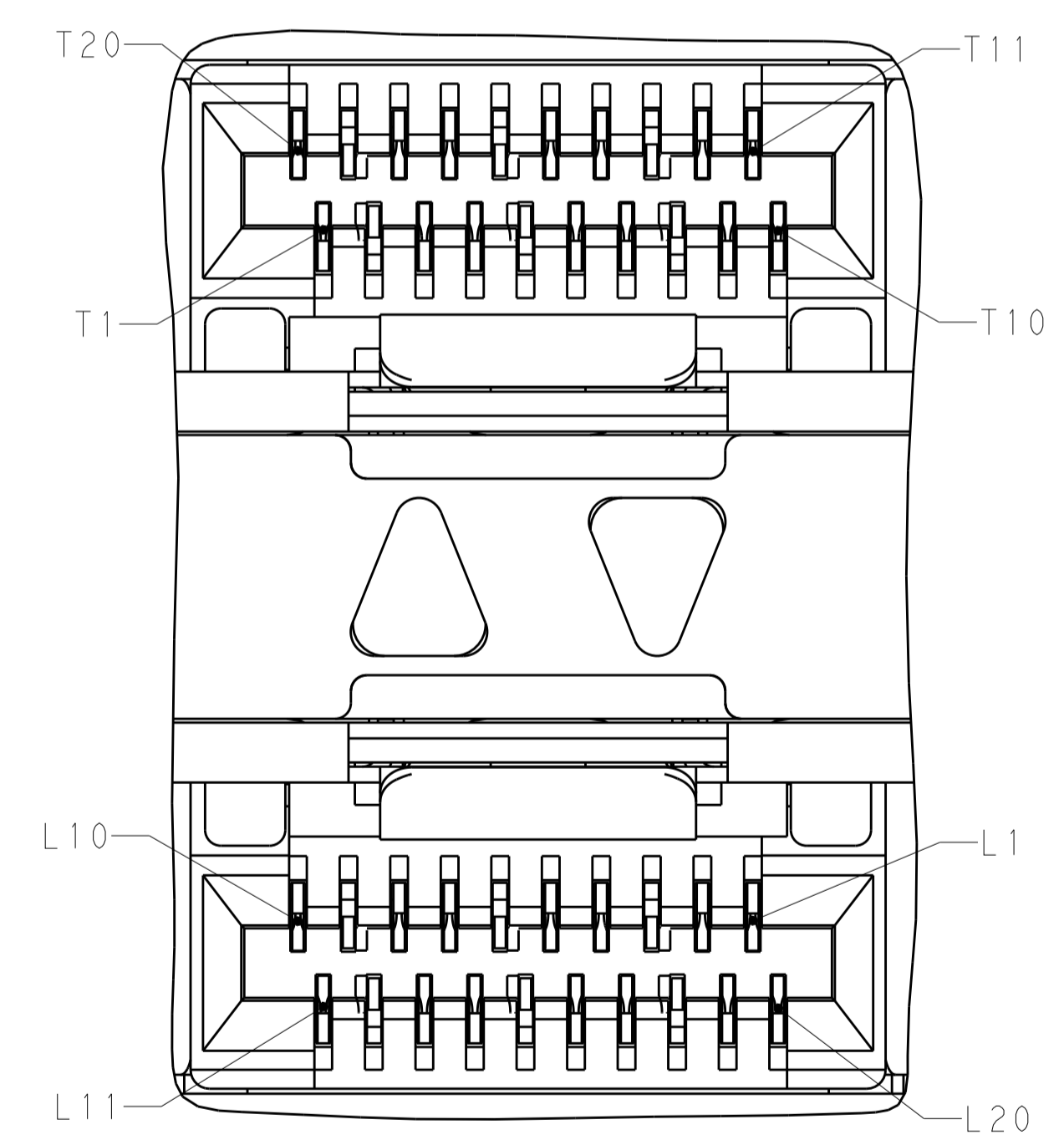
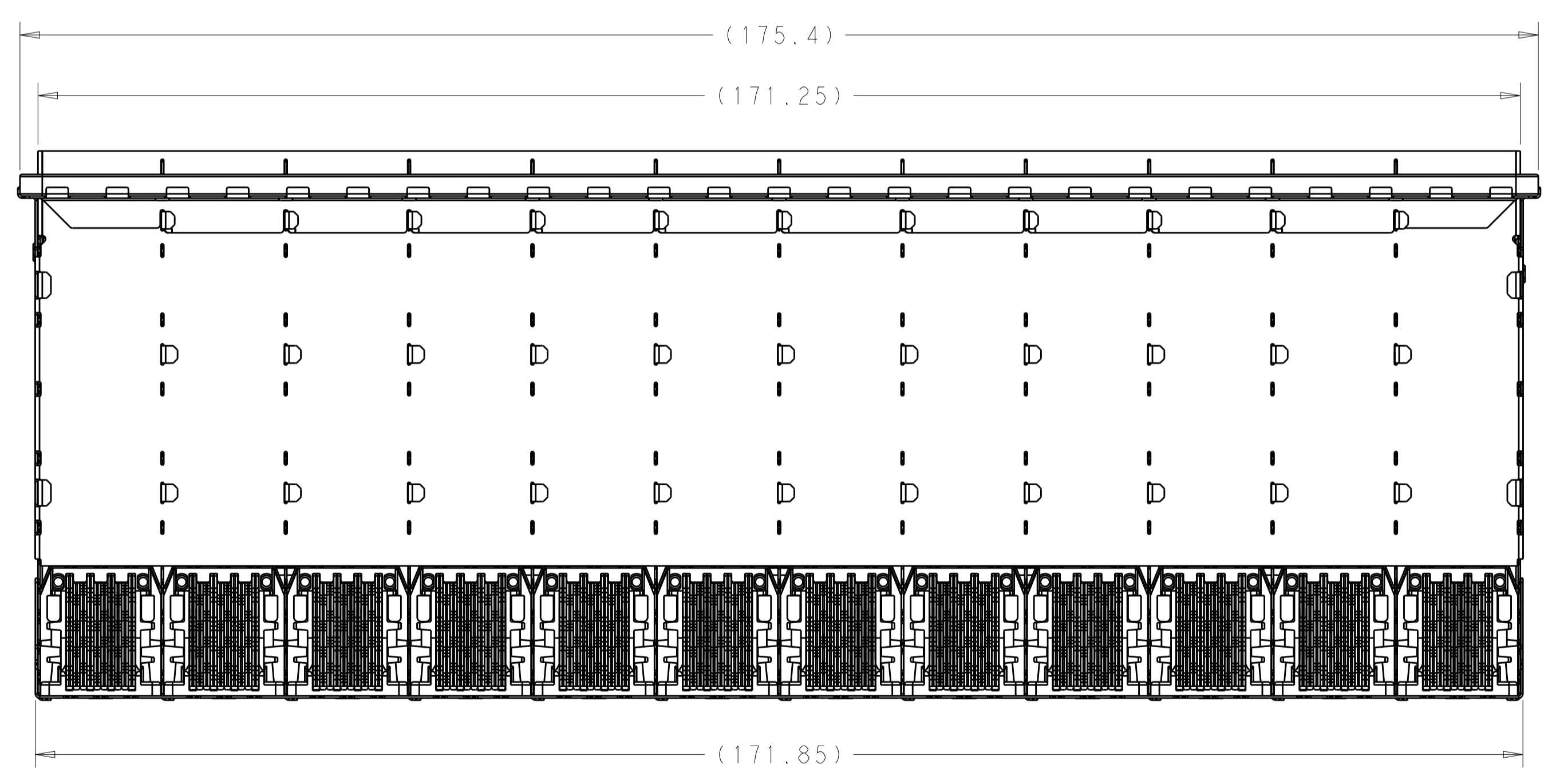
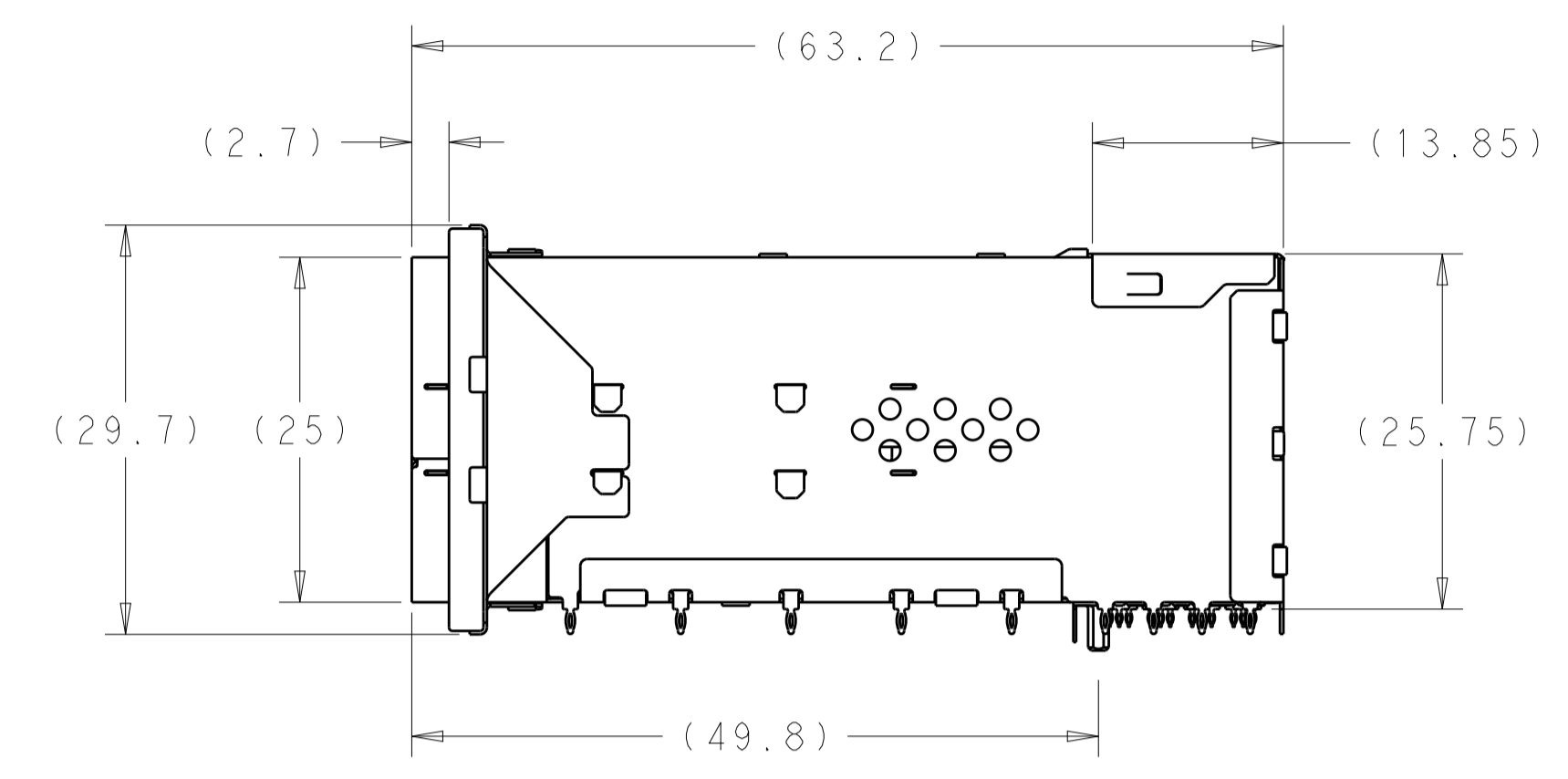
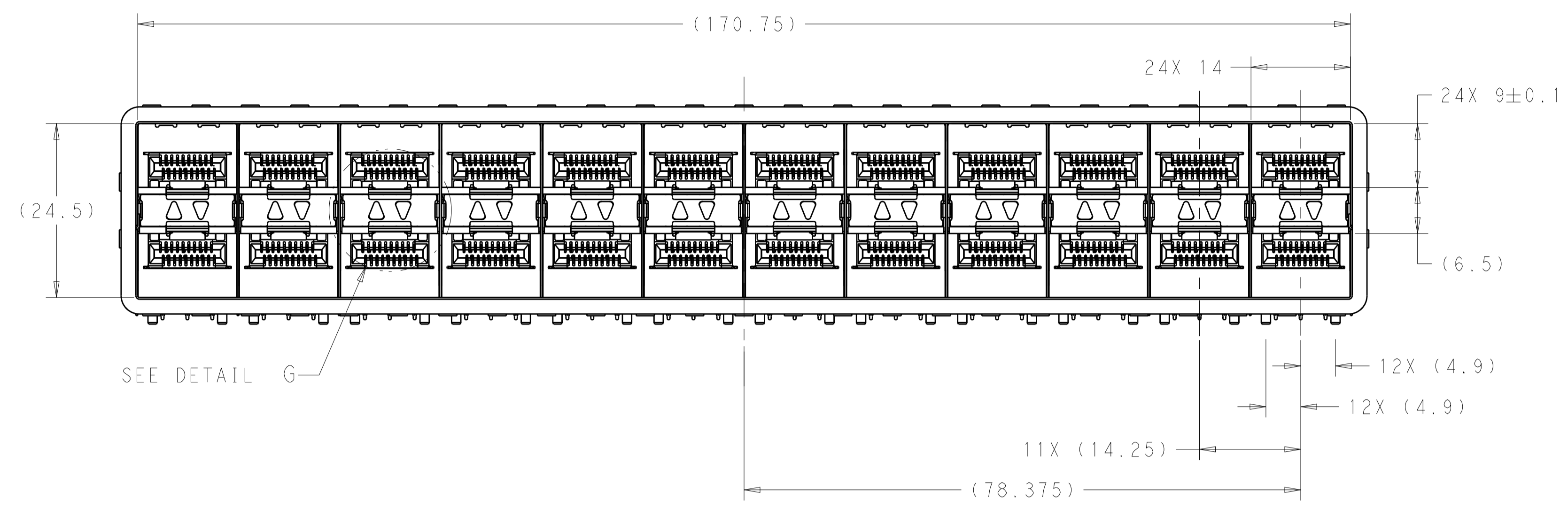
2288172-7
 EMI SPRINGS ONLY
 SCALE 3:1



DETAIL A
 SCALE 6:1

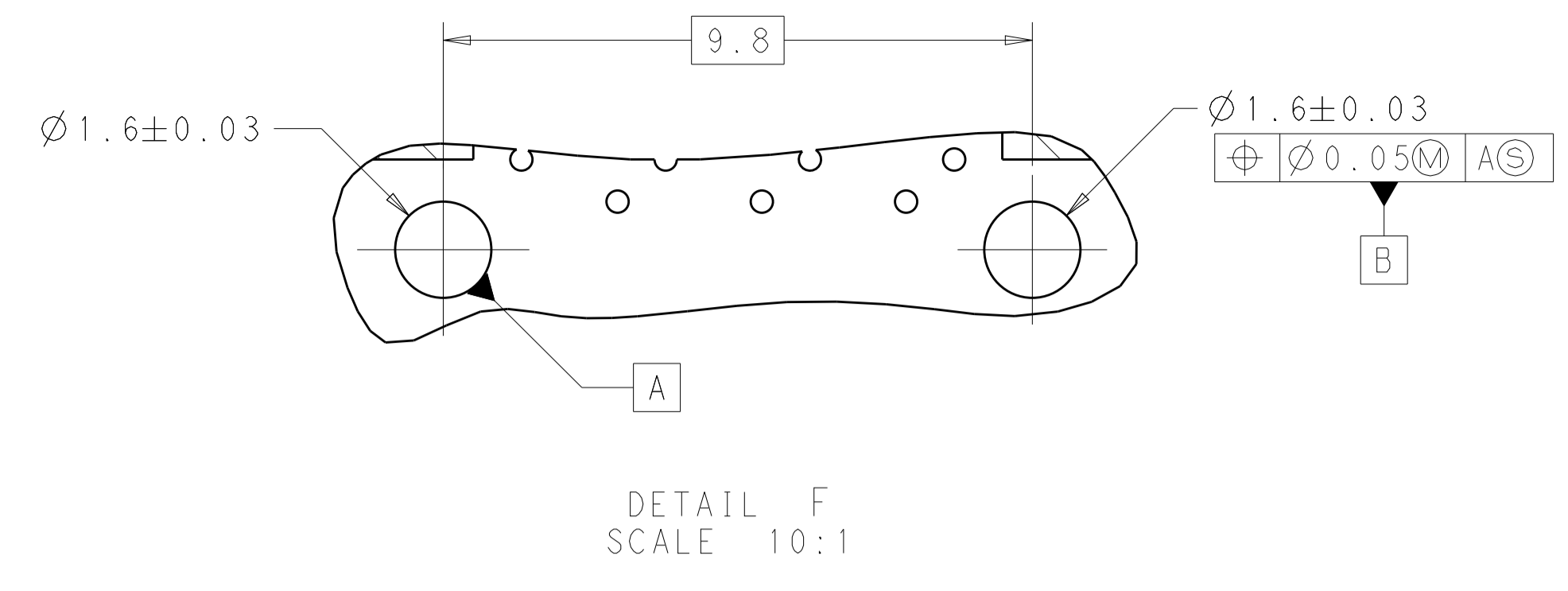
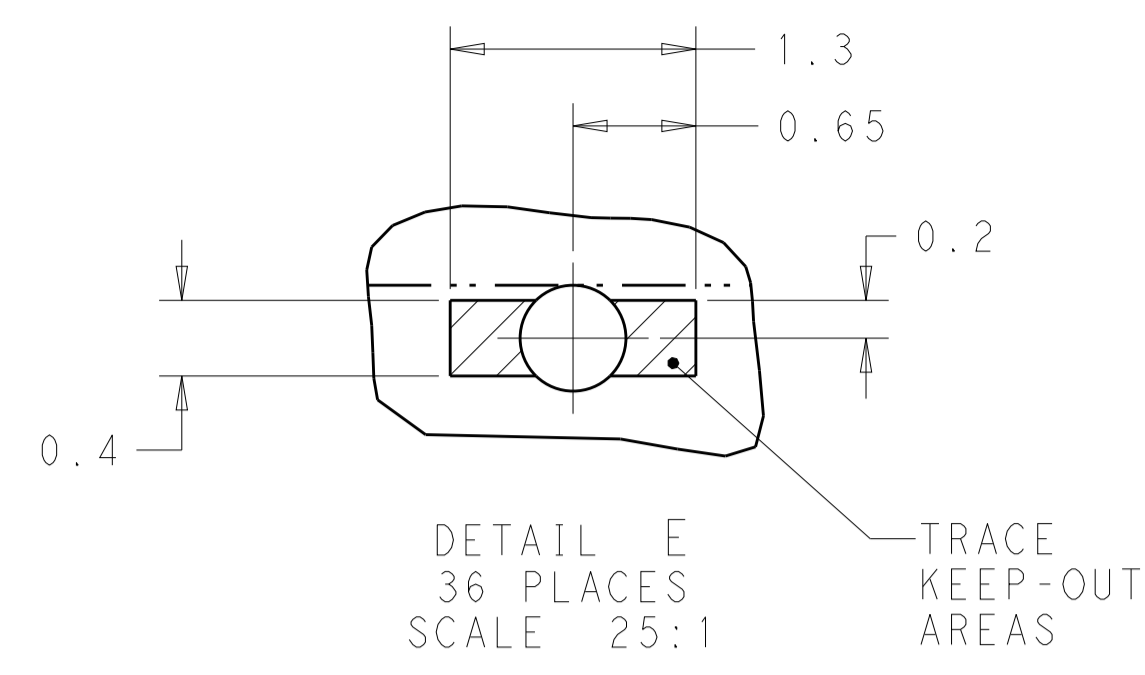
| | | | |
|--|--|-------------------------|---|
| THIS DRAWING IS A CONTROLLED DOCUMENT. | | DWN: M. SHIRK 26JAN2015 | TE Connectivity |
| | | CHK: P. RECCE 26JAN2015 | |
| DIMENSIONS: | TOLERANCES UNLESS OTHERWISE SPECIFIED: | APVD: | NAME: RECEPTACLE ASSEMBLY, 2X12, STACKED, zSFP+ |
| mm | 0 PLC ±0.10 | PRODUCT SPEC | SIZE: CAGE CODE DRAWING NO |
| | 1 PLC ±0.10 | 108-2431 | RESTRICTED TO |
| | 2 PLC ±0.10 | APPLICATION SPEC | A100779C=2288172 |
| MATERIAL | 3 PLC ±0.10 | 114-13319 | SCALE 2:1 SHEET 2 OF 5 REV A |
| SEE NOTES | 4 PLC ± | WEIGHT | |
| SEE NOTES | ANGLES | CUSTOMER DRAWING | |

| LOC | | DIST | | REVISIONS | | | |
|-----|----|------|-----|-------------|------|-----|------|
| GP | 00 | P | LTN | DESCRIPTION | DATE | DWN | APVD |
| | | - | | SEE SHEET 1 | | | |



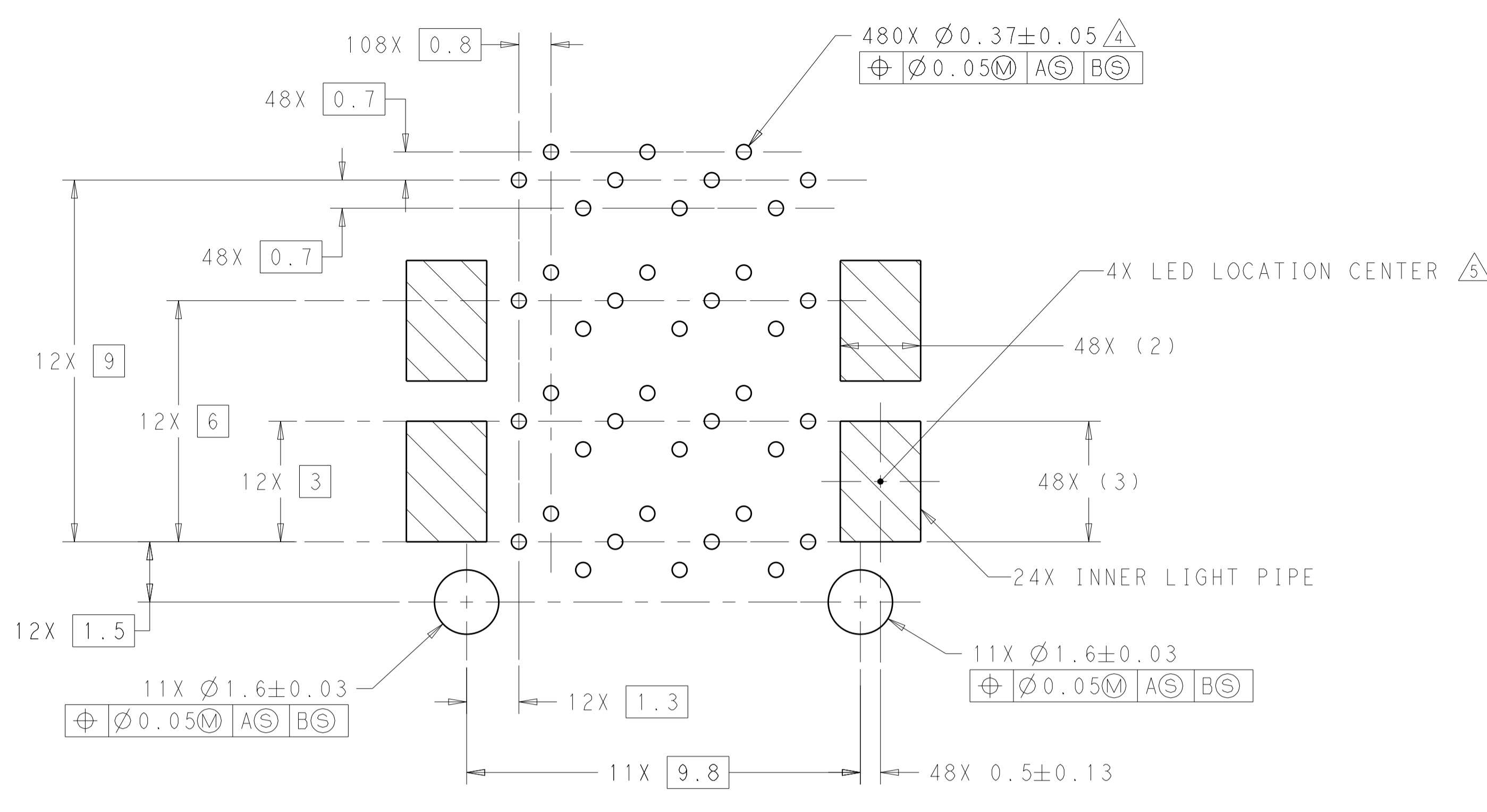
| | | | |
|---|--|---|--|
| THIS DRAWING IS A CONTROLLED DOCUMENT. DIMENSIONING AND TOLERANCING PER ASME Y14.5M-2009. | | DWN: M. SHIRK 26JAN2015 CHK: P. RECCE 26JAN2015 APVD: - | TE Connectivity RECEPTACLE ASSEMBLY, 2X12, STACKED, zSFP+ |
| DIMENSIONS: mm | TOLERANCES UNLESS OTHERWISE SPECIFIED: 0 PLC ±0.10 1 PLC ±0.10 2 PLC ±0.10 3 PLC ±0.10 4 PLC ±0.10 ANGLES ±° | PRODUCT SPEC: 108-2431 APPLICATION SPEC: 114-13319 | |
| MATERIAL: SEE NOTES | FINISH: SEE NOTES | WEIGHT: - CUSTOMER DRAWING | SIZE: A100779 CAGE CODE: C=2288172 SCALE: 2:1 SHEET 3 OF 5 REV A |

| LOC | | DIST | | REVISIONS | | | |
|-----|----|------|-----|-------------|------|-----|------|
| GP | 00 | P | LTN | DESCRIPTION | DATE | DMN | APVD |
| | | - | - | SEE SHEET 1 | - | - | - |

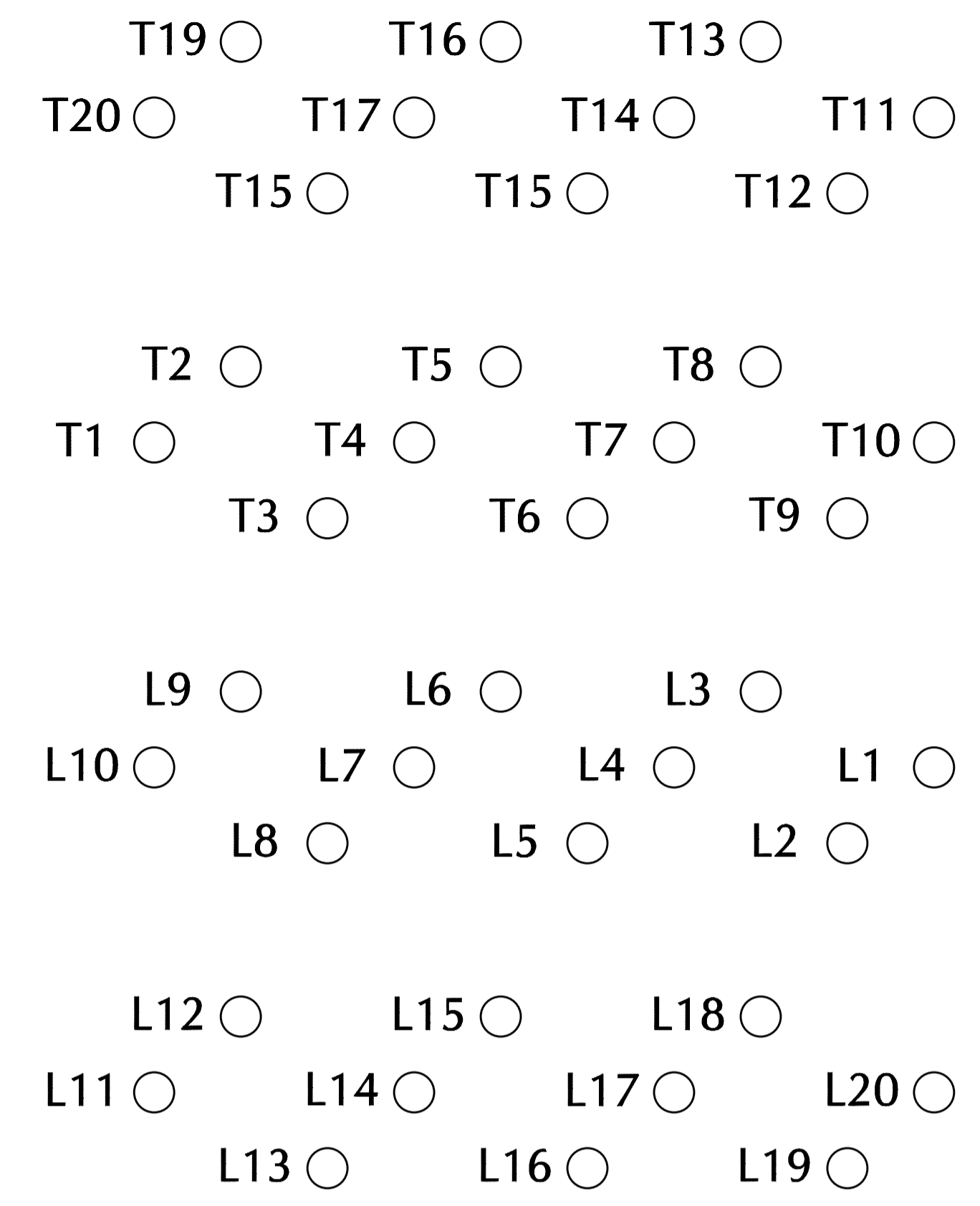


| | | | | |
|---|--|---|--|-------------------|
| THIS DRAWING IS A CONTROLLED DOCUMENT. DIMENSIONING AND TOLERANCING PER ASME Y14.5M-2009. | | DMN: M. SHIRK 26 JAN 2015 CHK: P. RECCE 26 JAN 2015 APVD: - | TE Connectivity NAME: RECEPTACLE ASSEMBLY, 2X12, STACKED, zSFP+ | |
| DIMENSIONS: mm | TOLERANCES UNLESS OTHERWISE SPECIFIED: | PRODUCT SPEC: 108-2431 | SIZE: A1 | CAGE CODE: 100779 |
| 0 PLC ±0.10 | 1 PLC ±0.10 | APPLICATION SPEC: 114-13319 | SCALE: 2:1 | SHEET 4 OF 5 |
| 2 PLC ±0.10 | 3 PLC ±0.10 | WEIGHT: - | REV: A | |
| 4 PLC ±0.10 | ANGLES ±° | CUSTOMER DRAWING | | |
| MATERIAL: SEE NOTES | FINISH: SEE NOTES | | | |

| LOC | DIST | REVISIONS | | | | | |
|-----|------|-----------|-----|-------------|------|-----|------|
| GP | 00 | P | LTN | DESCRIPTION | DATE | DWN | APVD |
| | | - | | SEE SHEET 1 | | | |

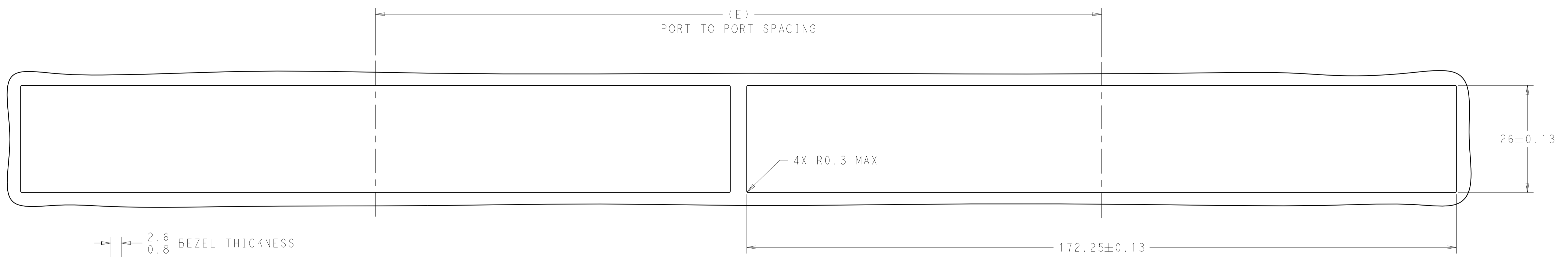


DETAIL C
 RECOMMENDED PIN AND LIGHT PIPE LAYOUT
 SCALE 10:1

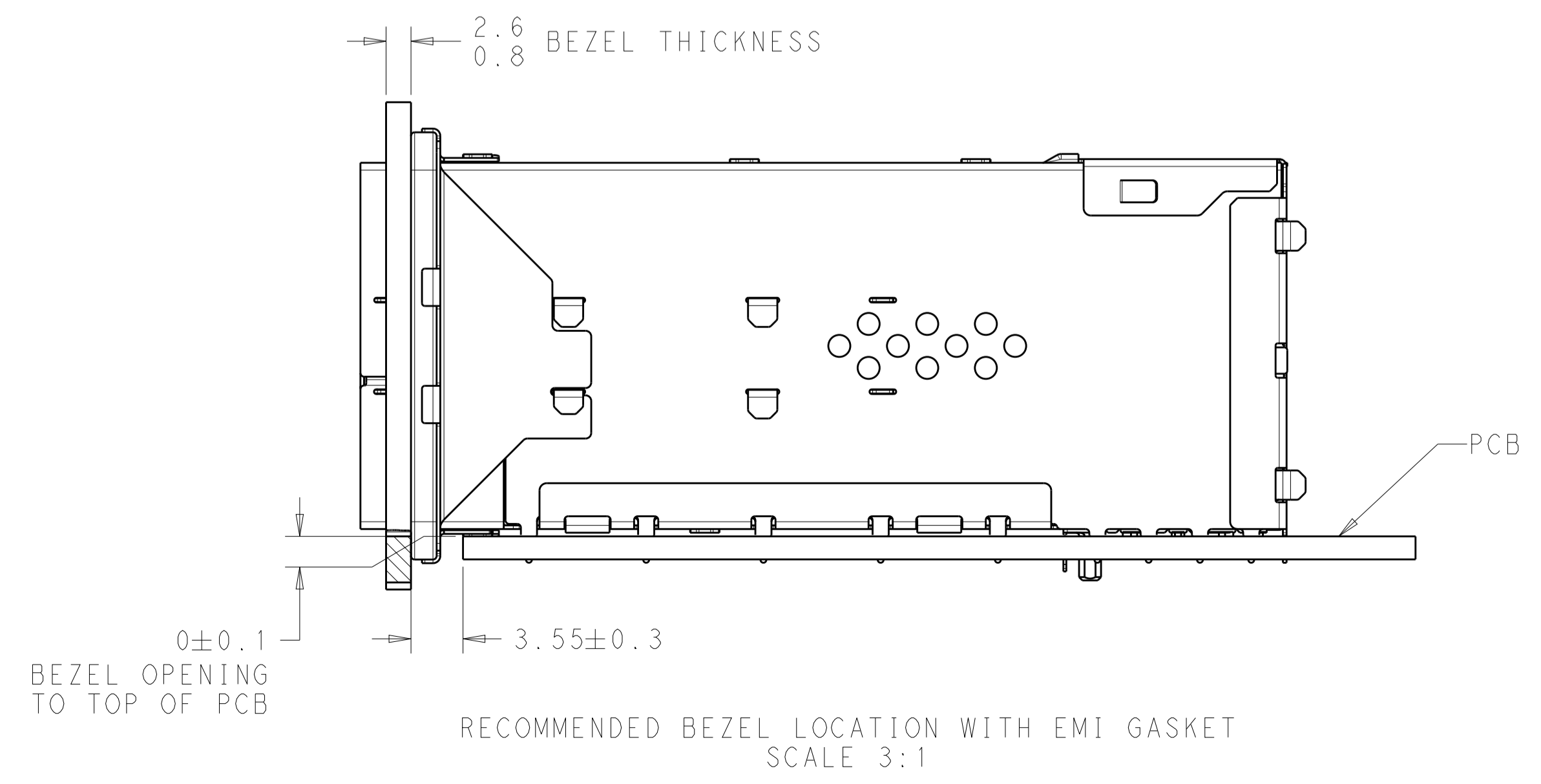


DETAIL D
 PIN MAP
 12 PLACES
 SCALE 20:1

| PIN MAP LEGEND | |
|----------------|------------|
| PIN NUMBER | FUNCTION |
| L1/T1 | VEET |
| L2/T2 | TX-FAULT |
| L3/T3 | TX-DISABLE |
| L4/T4 | SDA |
| L5/T5 | SCL |
| L6/T6 | MOD_ABS |
| L7/T7 | RS0 |
| L8/T8 | RX_LOS |
| L9/T9 | RS1 |
| L10/T10 | VEER |
| L11/T11 | VEER |
| L12/T12 | RD- |
| L13/T13 | RD+ |
| L14/T14 | VEER |
| L15/T15 | VCCR |
| L16/T16 | VCCT |
| L17/T17 | VEET |
| L18/T18 | TD+ |
| L19/T19 | TD- |
| L20/T20 | VEET |



RECOMMENDED BEZEL CUT OUT DETAIL



RECOMMENDED BEZEL LOCATION WITH EMI GASKET
 SCALE 3:1

| | | | |
|--|--|--|---|
| THIS DRAWING IS A CONTROLLED DOCUMENT. DIMENSIONING AND TOLERANCING PER ASME Y14.5M-2009 | | DWN: M. SHIRK 26JAN2015 CHK: P. RECCE 26JAN2015 | TE Connectivity RECEPTACLE ASSEMBLY, 2X12, STACKED, zSFP+ |
| DIMENSIONS: mm | TOLERANCES UNLESS OTHERWISE SPECIFIED: | APVD: - | |
| 0 PLC ±0.10 | 1 PLC ±0.10 | PRODUCT SPEC: 108-2431 | SIZE: A1 CAGE CODE: 114-13319 DRAWING NO: 100779 CUSTOMER DRAWING: C=2288172 |
| 2 PLC ±0.10 | 3 PLC ±0.10 | APPLICATION SPEC: 114-13319 | |
| 4 PLC ±0.10 | ANGLES ±° | WEIGHT: - | RESTRICTED TO: - |
| MATERIAL: - | FINISH: - | SCALE: 2:1 | SHEET 5 OF 5 |
| SEE NOTES | SEE NOTES | REV: A | |