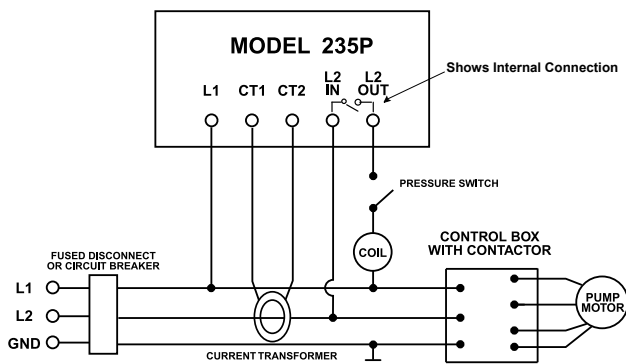


235P

Single-Phase Pump Monitor



Wiring Diagram



Ordering Information

MODEL	LINE VOLTAGE	DESCRIPTION
235P	230VAC	5 - 15hp
235P-ENCL	230VAC	233P with NEMA3R enclosure

PART*	SIZE	CURRENT (A)	CT CURRENT RATIO
CT-50-D-10	5 - 7½ HP	27.5 - 42.1	50:5
CT-75-D-10	10 HP	51	75:5
CT-100-D-10	15 HP	75	100:5

* Current transformer sold separately

Description

The Littelfuse 235P is designed to protect 5-15 hp, 230V, single-phase pumps from dry-well, dead-head, jammed impeller and overvoltage and undervoltage conditions.

A calibration adjustment allows the 235P to be calibrated to your specific pumping applications, thereby reducing the possibility of false or nuisance tripping. A unique microcontroller-based voltage and current-sensing circuit constantly monitors the incoming power for fluctuations causing overcurrent and undercurrent. When an abnormality, such as loss of suction is detected, the 235P deactivates its output relay and directly disconnects the pump motor.

The 235P communicates with a hand-held diagnostics tool called the Informer (sold separately). The Informer displays parameters including calibration points, trip points, run time and last faults.

An external current transformer is required for operation (sold separately).

Special considerations for pump cables larger than #10 AWG: In some cases where larger motors are installed with deep set pumps, pump cables are used that exceed the relay's terminal size. In these conditions, a short splice of #10 AWG or #12 AWG may be a solution at the control box. **Note:** All local, state and national electric codes should be followed when applying this solution.

NOTE: The 235P model has a sensitivity adjustment for the dry-well trip point. After calibration is done, you can adjust the sensitivity for the dry-well/dead-head trip point from 70-90% of the full load. This makes the unit even more adaptable to varying pumping applications. If you have a very low producing well, you increase the sensitivity closer to the 90% mark, or if you have a very heavy producing well, you would decrease the sensitivity around the 70% mark.

Features & Benefits

FEATURES	BENEFITS
Proprietary microcontroller based circuitry	Constant monitoring of voltage and current protects pumps from dry-well, dead-head, jammed impeller, rapid cycling, and voltage faults
Onboard calibration adjustment	Allows user to adjust the current sensitivity for the dry-well / dead-head trip point from 70% - 90% of the full load.
Adjustable restart delay	Allows user to select well recovery time delay after a dry-well condition occurs, or to select manual reset
Built in IR communications link	Used with the Informer, allows user to see stored faults, run time, and also troubleshoot the pump while it's running
LED indication	Provides status and diagnostics for troubleshooting

235P

Accessories



Informer

A hand-held diagnostic tool that uses an infrared receiver to access information which can be helpful for troubleshooting the system. Includes the Informer IR Kit-12



Informer IR Kit-12

12" infrared adapter cable attaches to the face of the unit to provide remote diagnostics without opening the panel. Included with the Informer

Specifications

Functional Specifications

Adjustments/Settings

Overcurrent

125% of calibration point

Underload (dry-well)

Adjustable (70 to 90% of calibrated run power)

Overvoltage

265VAC

Undervoltage

190VAC

Number of restarts allowed

in a 60-sec. period (rapid-cycling)

4

Trip Delay Times

Overcurrent

5 seconds

Dry-well

4 seconds

Restart Delay Times

Over/undervoltage

2 seconds

All other faults

Manual, 2-225 Minutes

Input Characteristics

Supply Voltage

230VAC

Load Range

5 - 15 hp (external current transformer required)

Frequency

50/60Hz (*Note: 50Hz will increase all delay timers by 20%*)

Output Characteristics

Output Contact Rating-SPST

A300, 720VA @240VAC (10 amps max.)

General Characteristics

Operating Temperature

-40° to 55° C (-40° to 131° F)

Maximum Input Power

5 W

Wire Gauge

Solid or Stranded 10 - 22AWG

Terminal Torque

13 in.-lbs.

Safety Marks

cUL Listed

UL508, C22.2 No. 14

Dimensions

H 73.66 mm (2.9"); **W** 133.35 mm (5.25");

D 73.99 mm (2.913")

Weight

14 oz.

Mounting Methods

#8 screws