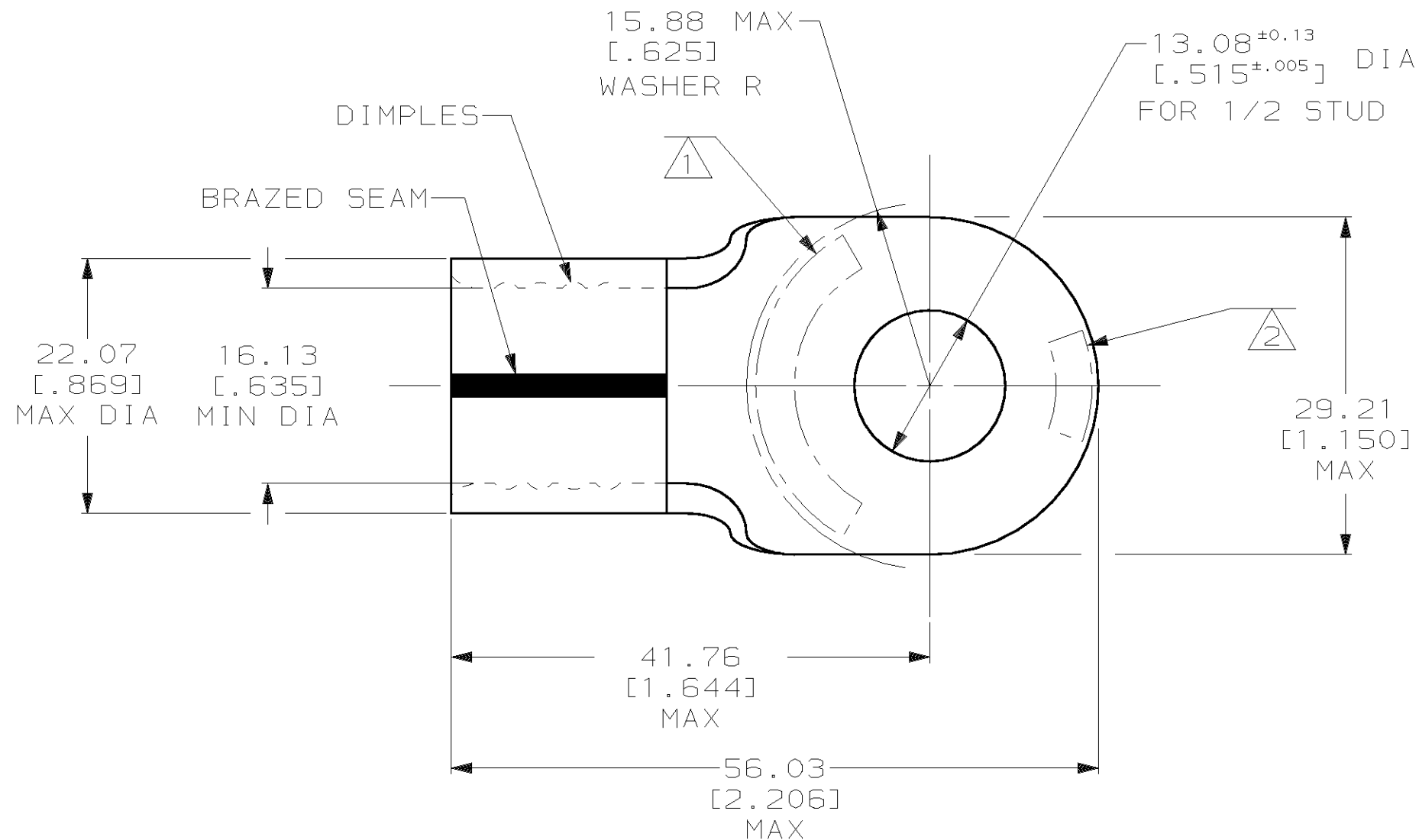


THIS DRAWING IS UNPUBLISHED. RELEASED FOR PUBLICATION, 19 .
 © COPYRIGHT 19 BY AMP INCORPORATED. ALL INTERNATIONAL RIGHTS RESERVED.

LOC	DIST	P	F	REVISIONS			DATE	APPD
G	14			ZONE	LTR	DESCRIPTION		
					J	REV PER 0G3A-0328-02	07JUN02	SR MS

AMP PART NO	MATERIAL	PKG TYPE	QTY
8-36934-3	M/F 8-36934-0	BOX	25



AMP WIRE RANGE	UL E13288 Listed
4/0 AWG SOLID OR STRANDED	4/0 AWG SOLID OR STRANDED
SP LR7189 Certified	MILITARY P/N AND CLASS
4/0 AWG SOLID OR STRANDED	NOT APPLICABLE

- ① STAMP AMP 4/0W* APPROX AS SHOWN
- ② STAMP 200 APPROX AS SHOWN
- ③ MATERIAL THK: 2.59±0.08 [.102±.003]

AMP INCORPORATED CUSTOMER SERVICE SYSTEMS	
FOR ADDITIONAL PRODUCT INFORMATION OR COPIES OF DRAWINGS AND TECHNICAL DOCUMENTS	PRODUCT INFORMATION CENTER 1-800-522-6752
FOR APPLICATION TOOLING INFORMATION	TOOLING ASSISTANCE CENTER 1-800-722-1111
FOR ORDER ENTRY	1-800-526-5142

MAX RECOMMENDED OPERATING TEMPERATURE: 170°C MAX
VOLTAGE RATING: NOT APPLICABLE
WIRE CROSS SECTIONAL AREA RANGE: 96.3-117.0mm ² [190,000-231,100] CIR MILS SOLID OR STRANDED
THIS DRAWING IS A CONTROLLED DOCUMENT FOR AMP INCORPORATED. IT IS SUBJECT TO CHANGE AND THE CONTROLLING ENGINEERING ORGANIZATION SHOULD BE CONTACTED FOR THE LATEST REVISION.

DO NOT SCALE PRINT. UNLESS SPECIFIED DIMENSIONS IN mm [INCHES] TOLERANCES ON: 2 PLC DEC ± 0.20[.008] 3 PLC DEC ± - ANGLES ± -
MATERIAL COPPER PER ASTM B-152 ANNEALED
FINISH TIN PLATE 0.00254[.000100] MIN THK PER ASTM B 545

DR 5/20/93 DK SCHRUM
CHK 1/27/94 RD HEIM
APPD 1/27/94 RE ROSER
APPD 1/27/94 JL MECKLEY
PRODUCT SPEC -
APPLICATION SPEC -
WEIGHT -

AMP AMP Incorporated Harrisburg, PA 17105-3608		
NAME TERMINAL, RING TONGUE, SOLISTRAND		
SIZE B	CAGE CODE 00779	DRAWING NO C-36934
SCALE 2:1	SHEET 1 OF 1	

36934
PART NO