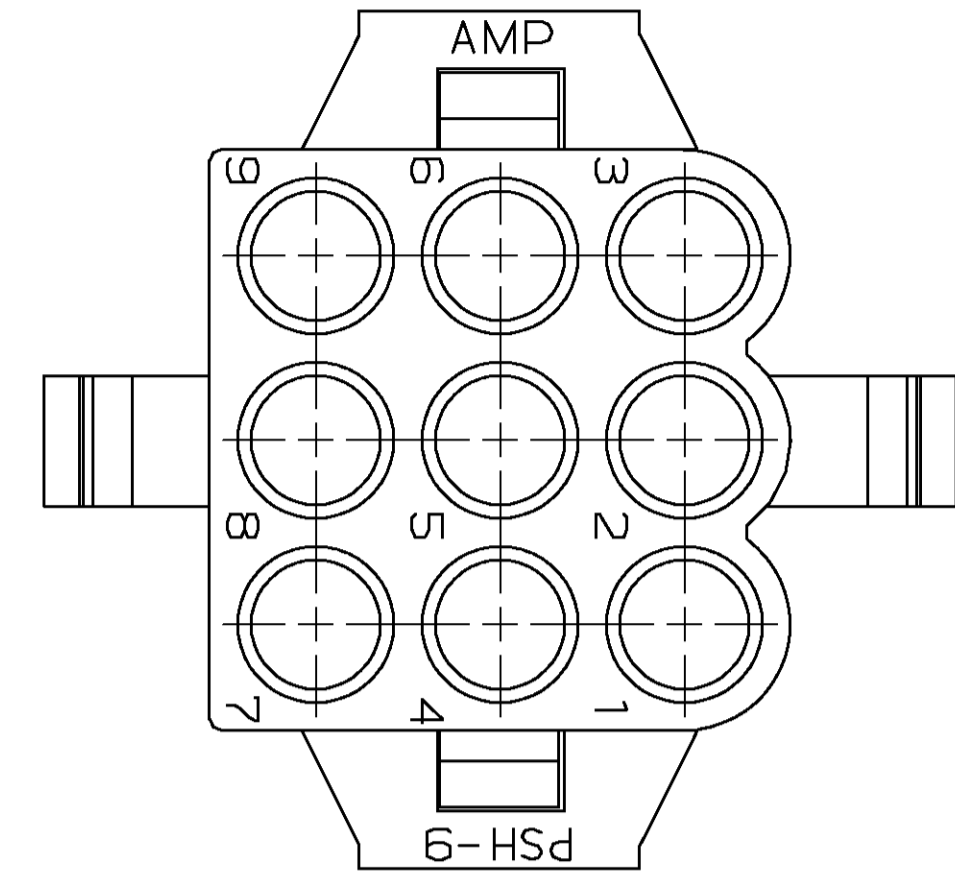
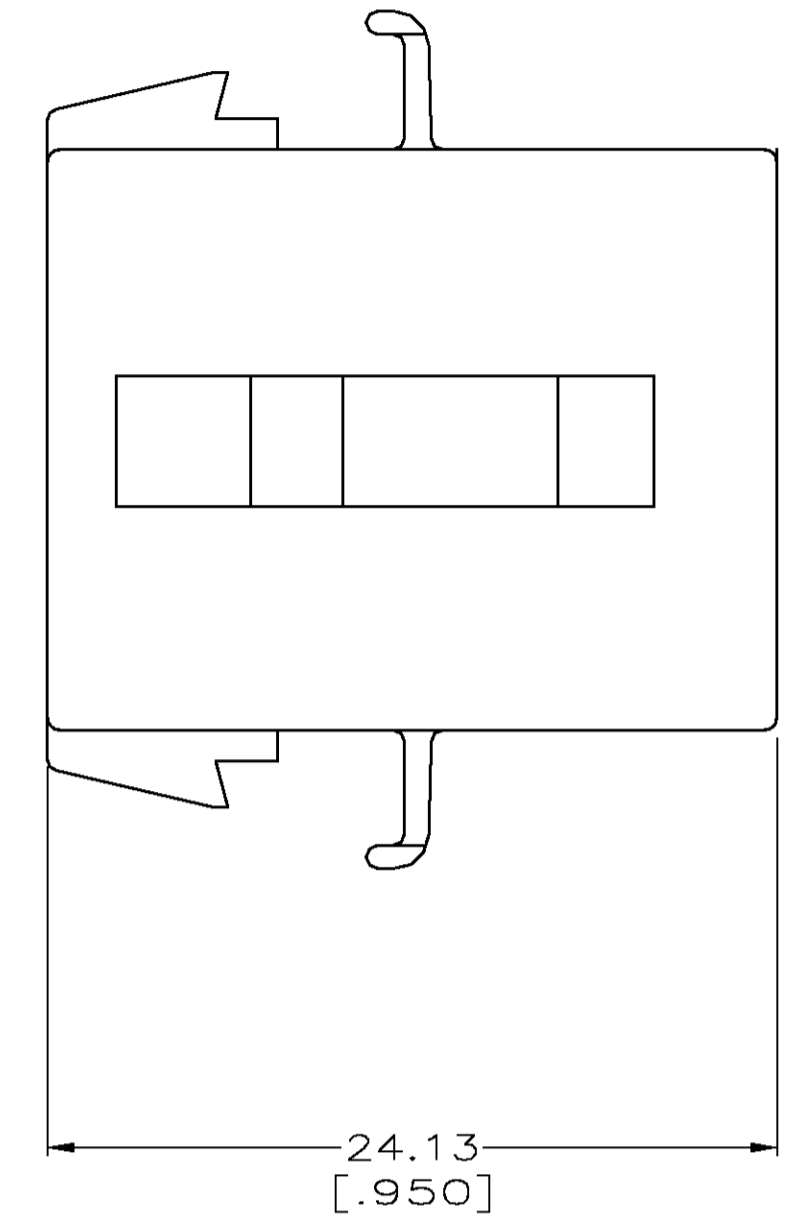
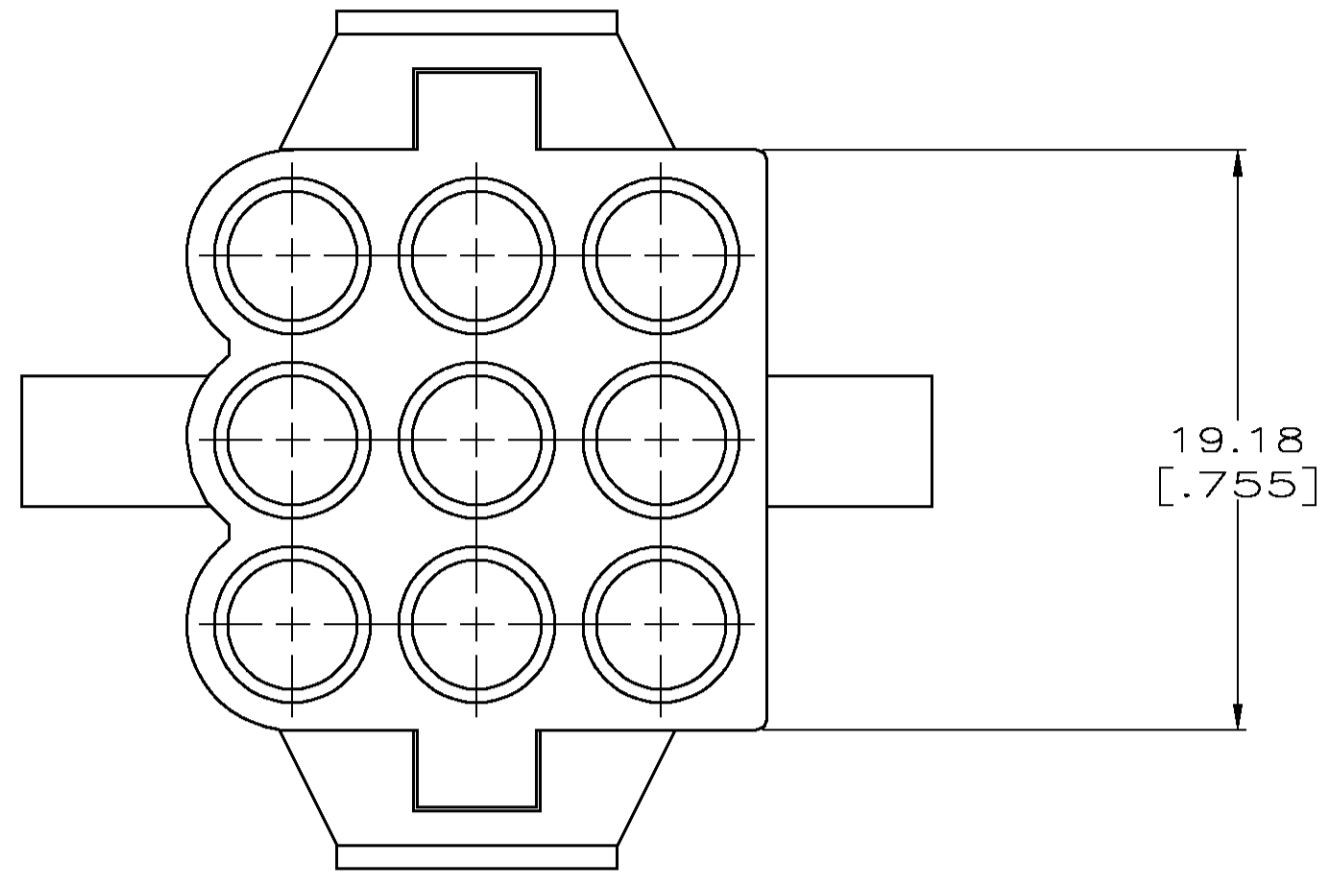
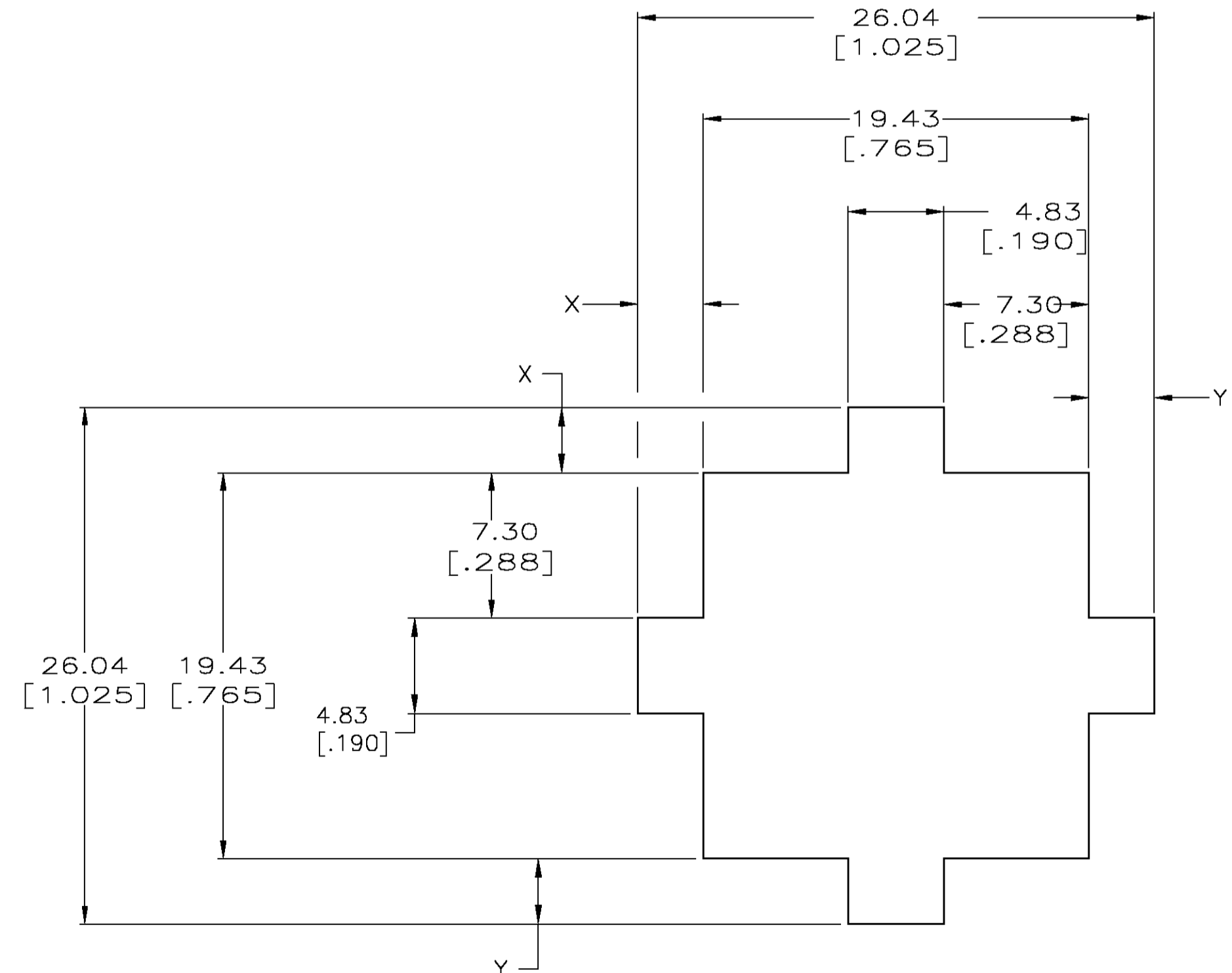
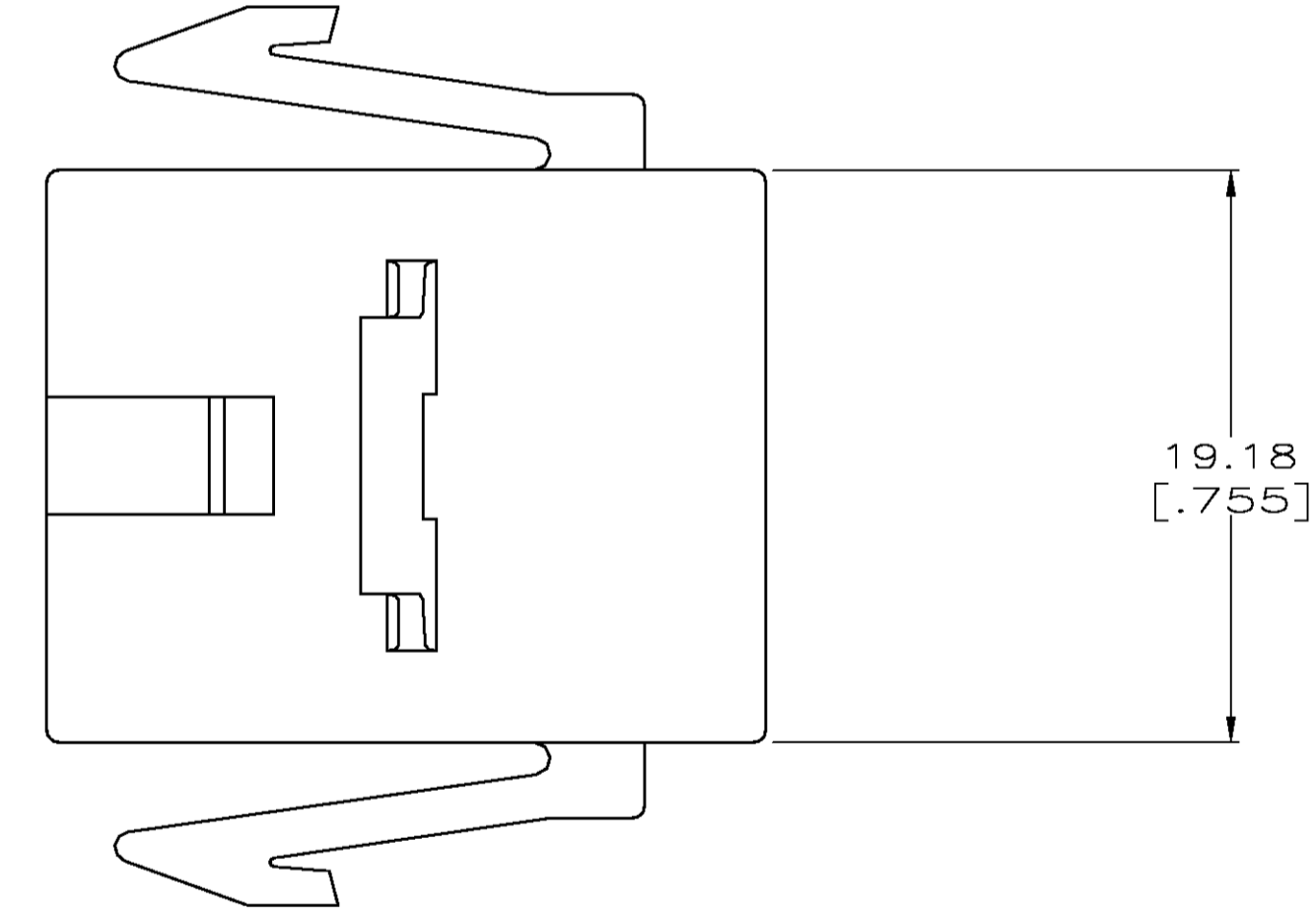


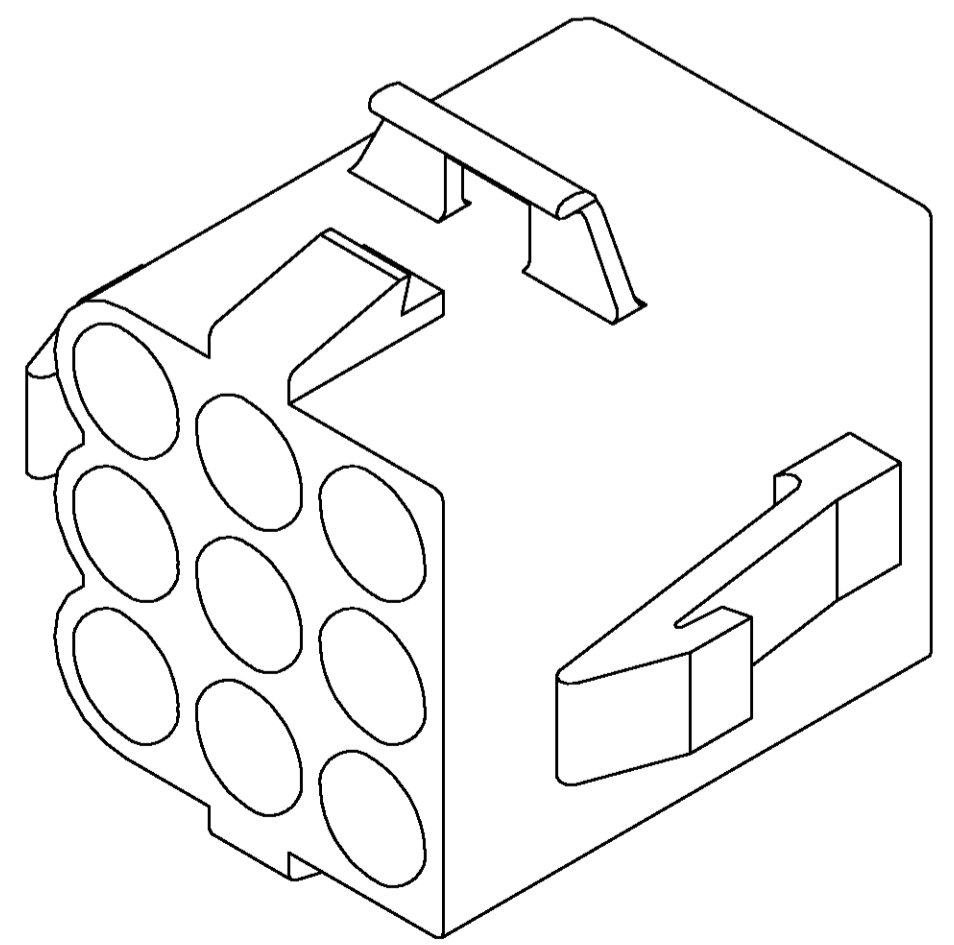
LOC		DIST		REVISIONS			
P	LR	DESCRIPTION	DATE	DRN	APPD		
0		REVISED PER 063B-0639-03	07-NOV-03	KW	DC		



1. PANEL THICKNESS - 1.02[.040] - 1.78[.070].
2. X & Y TO BE EQUAL WITHIN 0.13[.005].
3. PANEL MUST BE PUNCHED SO THAT THE HOUSING AND THE PUNCH ENTER THE PANEL IN THE SAME DIRECTION.



RECOMMENDED PANEL CUT OUT FOR PLUG



3-DIMENSIONAL MODEL NTS

1586305-1  
 PART NUMBER

THIS DRAWING IS A CONTROLLED DOCUMENT.		DWN K. WHITAKER 14-MAY-2003	 Tyco Electronics Corporation Harrisburg, PA 17105-3608
DIMENSIONS: MM		CHK D. COLEY 14-MAY-2003	
TOLERANCES UNLESS OTHERWISE SPECIFIED:		APPD D. COLEY 14-MAY-2003	NAME D. COLEY
0. PLC ± -	1. PLC ± -	PRODUCT SPEC	PLUG, 9 CIRCUIT, .140 MATE-N-LOK™
2. PLC ± 0.13[.005]	3. PLC ± -	APPLICATION SPEC	
4. PLC ± -	ANGLES ± 0.30°	FINISH	
MATERIAL NYLON, UL94V-2 BLACK		WEIGHT	SIZE A1
		CUSTOMER DRAWING	SCALE 4:1 SHEET 1 OF 1 REV 0

