

4

3

2

1

THIS DRAWING IS UNPUBLISHED. RELEASED FOR PUBLICATION
© COPYRIGHT ALL RIGHTS RESERVED.

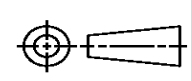
LOC	DIST	REVISIONS			
P	LTR	DESCRIPTION	DATE	DWN	APVD
	B1	ECR-14-001885	11FEB2014	GK	HMR

REPLACED BY OCEAN STYLE APPLICATOR PART NUMBER 2151362-6

FOR REPLACEMENT PARTS FOR APPLICATOR 1911054
REFER TO ADDITIONAL PAGE(S). SPARE PARTS KIT (IF LISTED)
WILL REMAIN AVAILABLE.

THE REPLACEMENT OCEAN STYLE APPLICATOR HAS THE
SAME TERMINATOR/PRESS INTERFACE AS APPLICATOR
1911054

THIS DRAWING IS A CONTROLLED DOCUMENT.		DWN	GOPALAKRISHNA HV														
DIMENSIONS:		CHK	RAGHAVENDRA														
TOLERANCES UNLESS OTHERWISE SPECIFIED:		APVD	RAGHAVENDRA														
<table border="0"> <tr><td>0 PLC</td><td>±</td></tr> <tr><td>1 PLC</td><td>±</td></tr> <tr><td>2 PLC</td><td>±</td></tr> <tr><td>3 PLC</td><td>±</td></tr> <tr><td>4 PLC</td><td>±</td></tr> <tr><td>ANGLES</td><td>±</td></tr> </table>		0 PLC	±	1 PLC	±	2 PLC	±	3 PLC	±	4 PLC	±	ANGLES	±	PRODUCT SPEC	NAME		
0 PLC	±																
1 PLC	±																
2 PLC	±																
3 PLC	±																
4 PLC	±																
ANGLES	±																
MATERIAL		APPLICATION SPEC	SIDE FEED SYSTEM III APPLICATOR														
FINISH		WEIGHT	SIZE	CAGE CODE	DRAWING NO												
			A3		©- 1911054												
		CUSTOMER DRAWING	SCALE	SHEET 1 OF 2	REV B1												

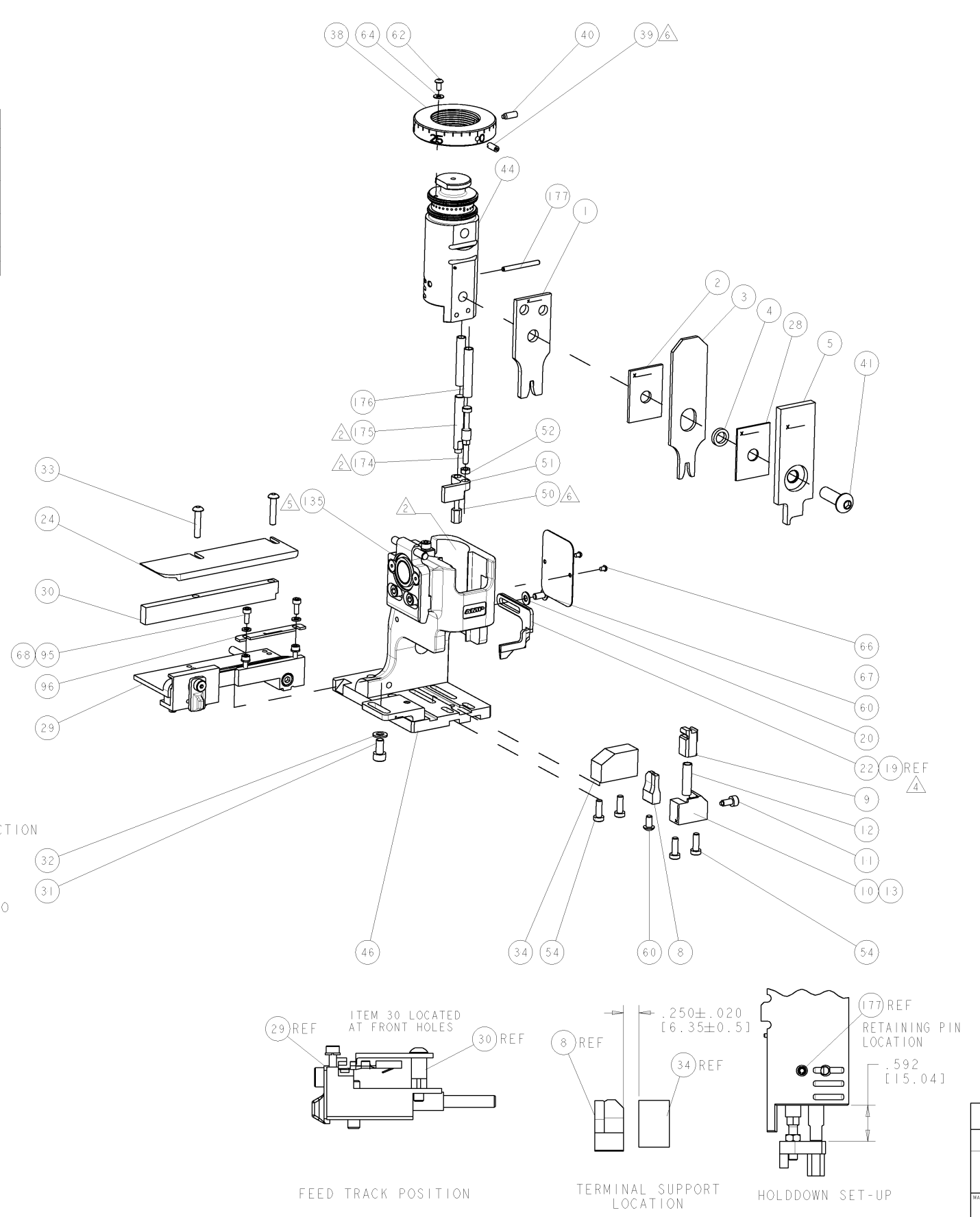


8	7	6	5	4	3	2	1
THIS DRAWING IS UNPUBLISHED. RELEASED FOR PUBLICATION							
COPYRIGHT 2008 BY TYCO ELECTRONICS CORPORATION. ALL RIGHTS RESERVED.							
PART NUMBER	REV	DESCRIPTION	PROGRAMMED MEMORY CHIP				
1911054-1	B	CUTS CARRIER	8-1911054-1				
1911054-6	B	CONTINUOUS CARRIER	8-1911054-6				
7-1911054-1	B	-1 AND SPARE PARTS	9-1911054-1				
7-1911054-6	B	-6 AND SPARE PARTS	9-1911054-6				
7-1911054-7	A	SPARE PARTS KIT	-				

APPLICATOR DATA		
CRIMP	SIZE	TYPE
WIRE	.105 [2.67mm]	F
INSUL	.130 [3.30mm]	F
APPL INSTRUCTIONS 408-10135		

TERMINAL DATA: DELPHI TERMINAL TYCO ELECTRONICS CRIMP SPEC			
TERMINAL NAME: DELPHI FEMALE 56 SERIES TERMINAL			
WIRE STRIP LENGTH		INSULATION DIAMETER RANGE	
.186-.201 [4.7-5.1mm]		.080-.094 [2.04-2.38mm]	
TERMINAL APPL SPEC	NONE		
TERMINALS APPLIED			
TE TERMINAL	DELPHI TERMINAL	TE TERMINAL	DELPHI TERMINAL
1572924-1	12124512	1572924-2	12124513

WIRE SIZE	CRIMP HEIGHT
0.8mm ²	.059±.002 [1.50±.05]
0.5mm ²	.057±.002 [1.45±.05]



- RECOMMENDED SPARE PARTS.
- GREASE BEARING SURFACES LIGHTLY.
- 3. LUBRICATE DAILY PER THE APPLICATOR INSTRUCTION SHEET SUPPLIED WITH THE APPLICATOR.
- ITEM 19 - OPTIONAL STRIPPER FOR BENCH MACHINE APPLICATIONS.
- APPLICATOR SPECIFIC DATA TO BE ENTERED INTO BLANK MEMORY CHIP AT ASSEMBLY.
- APPLY P/N 1-23419-5 LOCTITE(R) TO THREADS.

FEED FINGER	SET UP GAGE	LOC	DIST	REVISIONS					
1901694-1	1901040-1	A	66	P	LYR	DESCRIPTION	DATE	DWN	APVD
				A		RELEASED	25JUL2007	RD	ND
				B		ECR-09-008018	09APR2009	MY	TE

-	1	1	1	1	1-993111-6	PIN, SLOTTED SPRING 3.0 X 30.0	177
-	2	2	2	2	3-22280-7	SPRING, COMPRESSION	176
-	1	1	1	1	1752353-1	GUIDE PIN, HOLDDOWN	175
-	1	1	1	1	1901680-1	GUIDE PIN, HOLDDOWN	174
-	REF	REF	REF	REF	SEE TABLE	MEMORY CHIP, PROGRAMMED	135
-	1	1	1	1	693855-1	FRONT STRIP GUIDE	96
-	2	2	2	2	4-1655316-4	SCR, SKT HD CAP, M3 X 8.0	95
-	1	1	1	1	1633565-1	DOCUMENTATION PACKAGE S111	71
-	2	2	2	2	18026-1	WASHER, SPRG LOCK, REG M3	68
-	1	1	1	1	1901048-1	TAG, IDENTIFICATION	67
-	2	2	2	2	21017-1	SCREW, DRIVE	66
-	1	1	1	1	18028-1	WASHER, FLAT, REG M3	64
-	1	1	1	1	1655785-9	SCR, BTN SKT HD CAP (M3 X 6)	62
-	2	2	2	2	1655785-1	SCR, BTN SKT HD CAP (M4 X 8)	60
-	4	4	4	4	1655783-3	SCR, CAP, SOC HD, LOW HEAD, M4 X 12	54
-	1	1	1	1	1-18030-0	NUT, HEX, REG M3.5	52
-	1	1	1	1	1901681-1	HOLDDOWN, TERMINAL	51
-	1	1	1	1	2-1752354-1	STANDOFF, HOLD-DOWN	50
-	1	1	1	1	1752300-1	SF SYSTEM III APPLICATOR	46
-	1	1	1	1	1752308-1	RAM	44
-	1	1	1	1	2-1655785-3	SCR, BTN SKT HD CAP (M8 X 25)	41
-	1	1	1	1	993002-4	SCREW, SET, SFT TIP	40
-	1	1	1	1	1962043-1	PLUNGER, BALL, METRIC	39
-	1	1	1	1	1752309-1	RING, INSULATION CRIMP	38
-	1	1	1	1	1752356-5	SUPPORT, TERMINAL	34
-	2	2	2	2	3-1655785-3	SCR, BTN SKT HD CAP (M4 X 20)	33
-	1	1	1	1	18028-3	WASHER, FLAT, REG M5	32
-	1	1	1	1	5-1655316-3	SCR, SKT HD CAP, M5 X 10.0	31
-	1	1	1	1	1320908-1	SPACER, STRIP GUIDE	30
-	1	1	1	1	1-1901087-0	ASSEMBLY, STRIP GUIDE	29
-	1	1	1	1	1-455888-0	SPACER, CRIMPER	28
-	1	1	1	1	1320928-1	PLATE, STRIP GUIDE	24
-	1	1	1	1	1976045-1	STRIPPER	22
-	1	1	1	1	18028-2	WASHER, FLAT, REG M4	20
-	REF	REF	REF	REF	1752311-1	STRIPPER	19
	-	1	-	-	1338684-1	SHEAR HOLDER, FRONT	13
	-	1	1	1	3-22280-3	SPRING, COMPRESSION	12
	-	1	1	1	356885-4	STOP, SHEAR	11
	-	-	1	-	1320921-1	SHEAR HOLDER, FRONT, CUT	10
	-	1	1	1	1-454276-9	FLOATING SHEAR, FRONT	9
	1	2	2	1	1-1633138-5	ANVIL, COMBINATION	8
	-	1	1	1	1-455889-4	DEPRESSOR, SHEAR	5
	-	1	1	1	238011-4	BLOCK, CRIMPER SPACER	4
	1	2	2	1	6-456134-6	CRIMPER, INSULATION F PREMIUM	3
	-	1	1	1	1-455888-8	SPACER, CRIMPER	2
	1	2	2	1	4-1633305-0	CRIMPER, WIRE PREMIUM	1

DIMENSIONS (INCHES/mm)		TOLERANCES UNLESS OTHERWISE SPECIFIED:		DWN R DORSON 09MAY2007		Tyco Electronics Tyco Electronics Harrisburg, PA 17105-3608	
0 PLC	±	0.0005	±	CHK CN DEMING 09MAY2007	NAME SIDE FEED SYSTEM III APPLICATOR		
1 PLC	±	0.001	±	APVD W DEMING 09MAY2007	PRODUCT SPEC		
2 PLC	±	0.0015	±	APPLICATION SPEC			
3 PLC	±	0.002	±	SEE TABLE			
4 PLC	±	0.0025	±	WEIGHT			
ANGLES	±	0.005	±	CUSTOMER DRAWING			
MATERIAL		FINISH		SIZE A	CAGE CODE 00779	DRAWING NO C-1911054	RESTRICTED TO
				SCALE 3:5		SHEET 1 OF 1	REV B