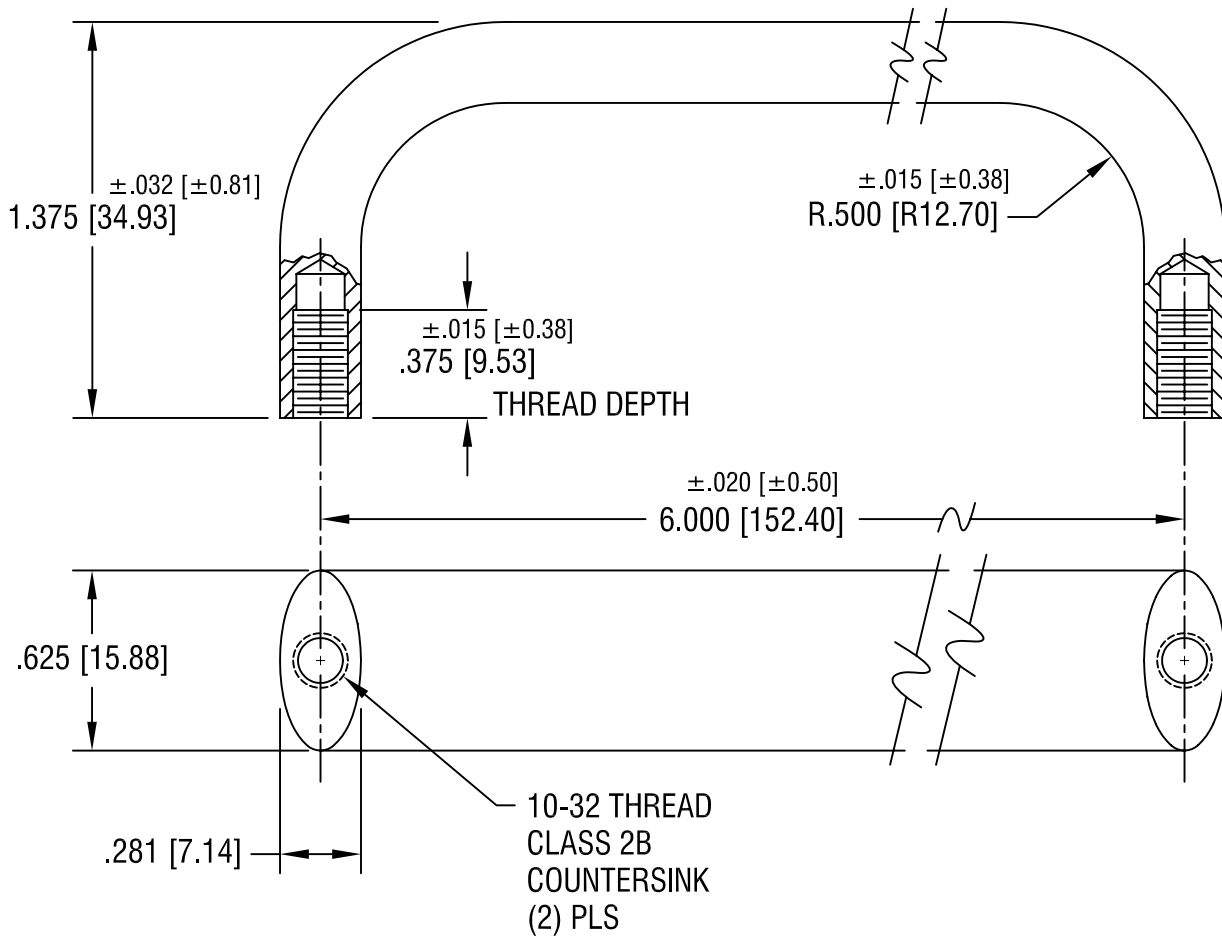


THIS DOCUMENT IS THE PROPERTY OF
KEYSTONE ELECTRONICS CORP. AND
SHALL NOT BE REPRODUCED, DISTRIBUTED
OR USED AS A BASIS FOR MANUFACTURE
WITHOUT PRIOR WRITTEN PERMISSION
FROM KEYSTONE ELECTRONICS CORP.



KEYSTONE ELECTRONICS CORP.

ASTORIA, N.Y. 11105-2017

PART NAME

OVAL INSTRUMENTATION HANDLE

MATERIAL

ALUMINUM 6061-T6

FINISH

BLACK ANODIZE

DRN BY

BOONE

DATE

7.12.94

APPD

LN

SCALE

1.5X

7.22.97

CHANGE AS PER ECR 97-030

A

TOLERANCES

INCH [MM]

DECIMAL $\pm .010 [\pm 0.25]$

ANGULAR $\pm 1^\circ$

UNLESS OTHERWISE SPECIFIED

CODE

C/M

DWG NO.

7187

DATE

DESCRIPTION

REV.