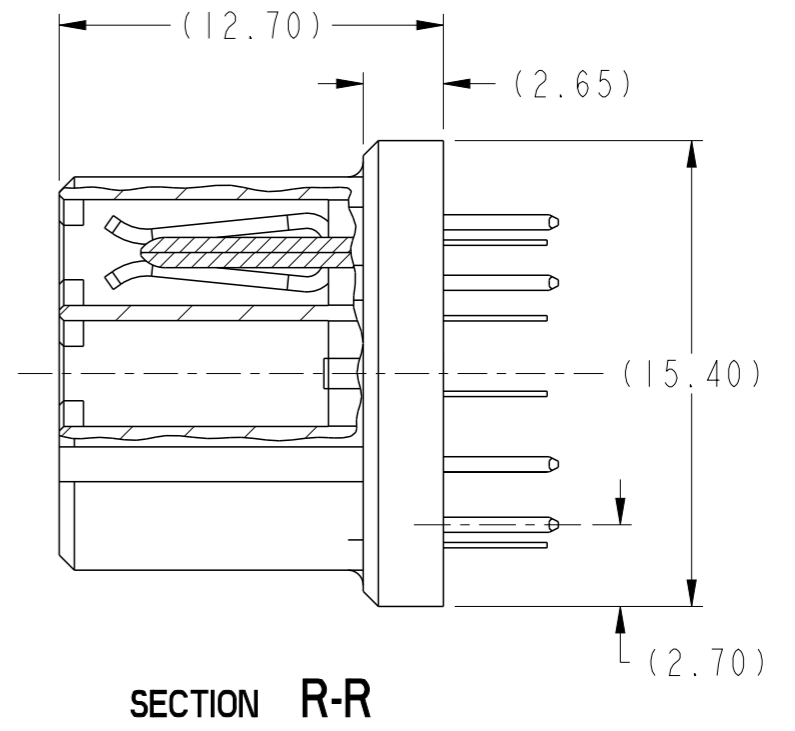
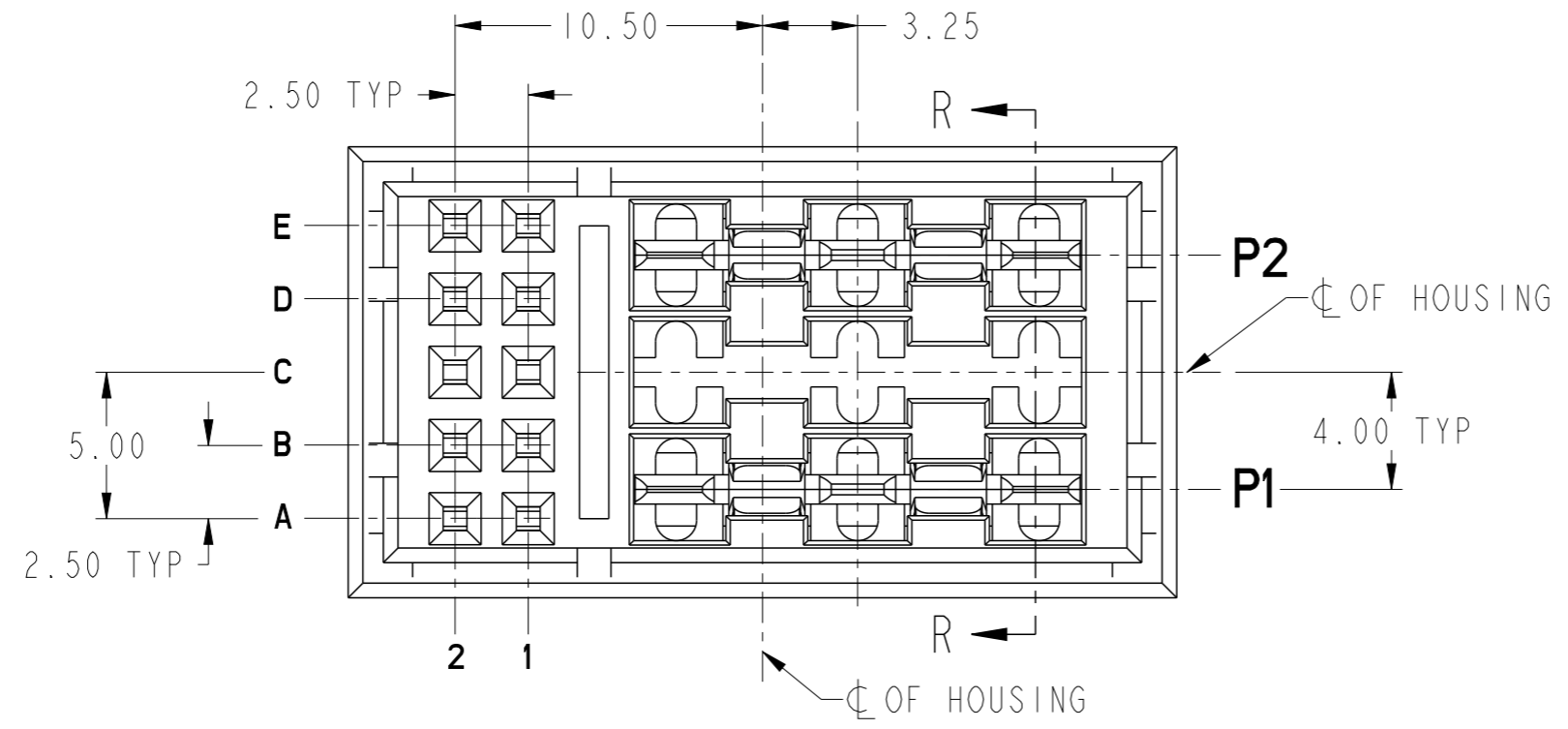
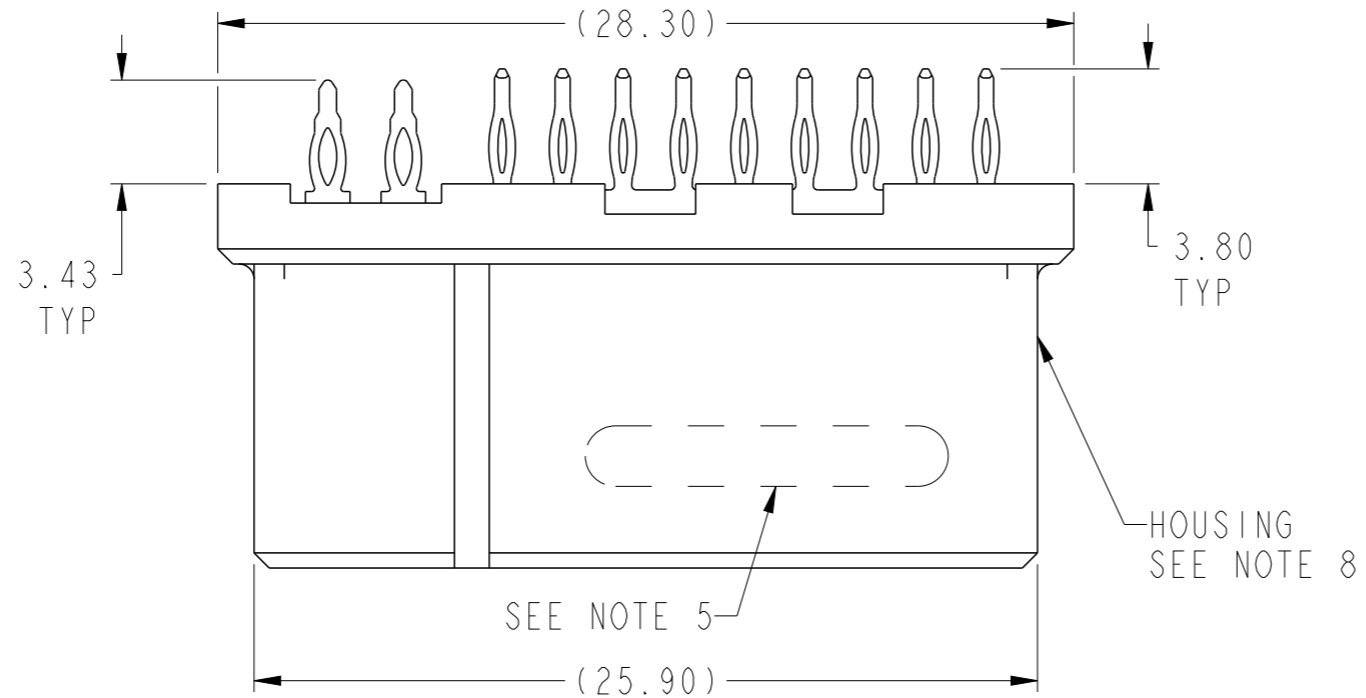


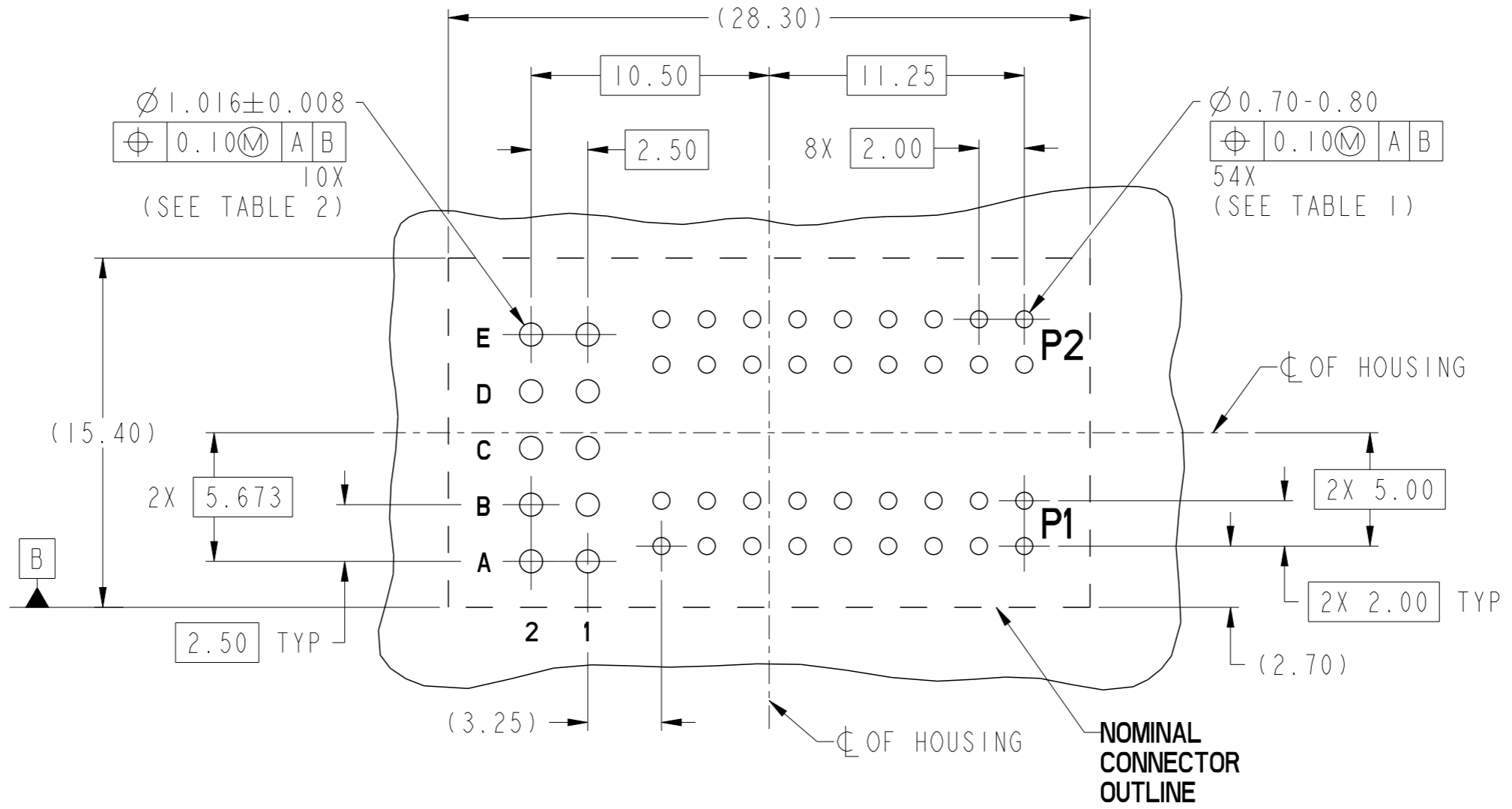
PRODUCT NUMBER  
10139864-001LF



Amphenol  
FCi

© 2016 AFCI

spec ref	-	dr	Chris Gieski	2016/05/31	projection	mm	size	A3	scale	4:1	
tolerance std	ASME Y14.5	eng	Chris Gieski	2016/12/02			ecn no	ELX-V-25516-1			
TOLERANCES UNLESS OTHERWISE SPECIFIED		chr	-	-			rel level	Released			
surface	linear	appr	Skip Fry	2016/12/03	product family	PwrMAX	rel level	Released			
ASME Y14.5	angular			0.X	±0.5	<b>Amphenol FCI</b> VERT RECPT ASSY 2P+10S PwrMAX Mezz POWER CONNECTOR		dwg no	10139864		
				0.XX	±0.25	www.fci.com	cat. no.	-	Product - Customer Drw	rev	B
				0.XXX	±0.100					sheet 1 of 4	
				0°	±2°						



**RECOMMENDED PCB LAYOUT  
COMPONENT SIDE**  
(SEE NOTE 6)

spec ref	-	dr	Chris Gieski	2016/05/31	projection	mm	size	A3	scale	4:1
tolerance std	ASME Y14.5	eng	Chris Gieski	2016/12/02			ecn no	ELX-V-25516-1	rel level	Released
TOLERANCES UNLESS OTHERWISE SPECIFIED		chr	-	apppr						
surface	linear	0.X	±0.5		VERT RECPT ASSY 2P+10S		dwg no	10139864	rev	B
		0.XX	±0.25		PwrMAX Mezz POWER CONNECTOR					
	angular	0°	±2°		www.fci.com	cat. no.				

1

2

3

4

TOP LAYER DESCRIPTION	TABLE 1 (PwrMAX POWER) PLATED THROUGH-HOLE REQUIREMENTS		
	DRILLED HOLE DIAMETER	COPPER THICKNESS	FINISHED HOLE DIAMETER
OSP (SEE NOTE 9)	0.81-0.86 (0.85 DRILL)	0.025 - 0.050	0.70 - 0.80

TOP LAYER DESCRIPTION	TABLE 2 (PwrMAX SIGNALS) PLATED THROUGH-HOLE REQUIREMENTS		
	DRILLED HOLE DIAMETER	COPPER THICKNESS	FINISHED HOLE DIAMETER
OSP (SEE NOTE 9)	1.075-1.125 ( $\varnothing .0433 \pm .0010$ )	0.025-0.050	0.94 - 1.10 ( $\varnothing .040 \pm .003$ )

Amphenol  
FCi

© 2016 AFCI

spec ref	-	dr	Chris Gieski	2016/05/31	projection		size	A3	scale	4:1
tolerance std	ASME Y14.5	eng	Chris Gieski	2016/12/02	chr	-	ecn no	ELX-V-25516-1		
TOLERANCES UNLESS OTHERWISE SPECIFIED		appr	Skip Fry	2016/12/03	product family	PwrMAX	rel level	Released		
surface		linear	0.X	$\pm 0.5$	Amphenol FCi	VERT RECPT ASSY 2P+10S PwrMAX Mezz POWER CONNECTOR	dwg no	10139864	rev	B
			0.XX	$\pm 0.25$						
			0.XXX	$\pm 0.100$						
ASME Y14.5	angular		0°	$\pm 2^\circ$	www.fci.com	cat. no.	-	Product - Customer Drw	sheet 3 of 4	

2

3

PDS: Rev :B

STATUS:Released

Printed: Dec 03, 2016

