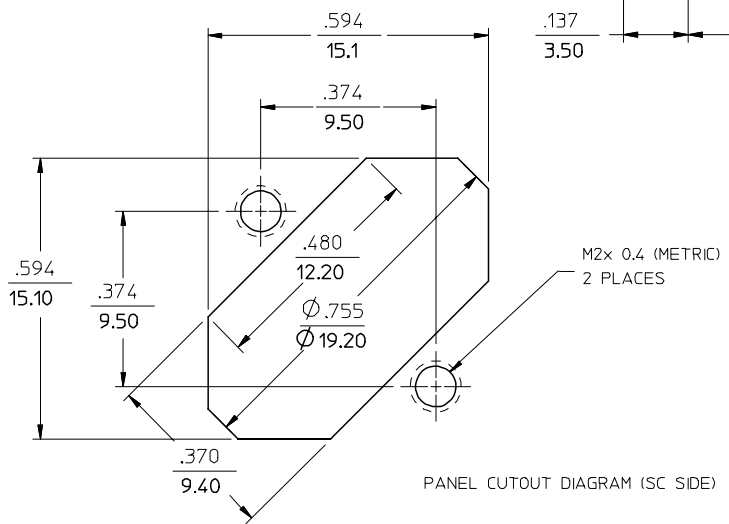
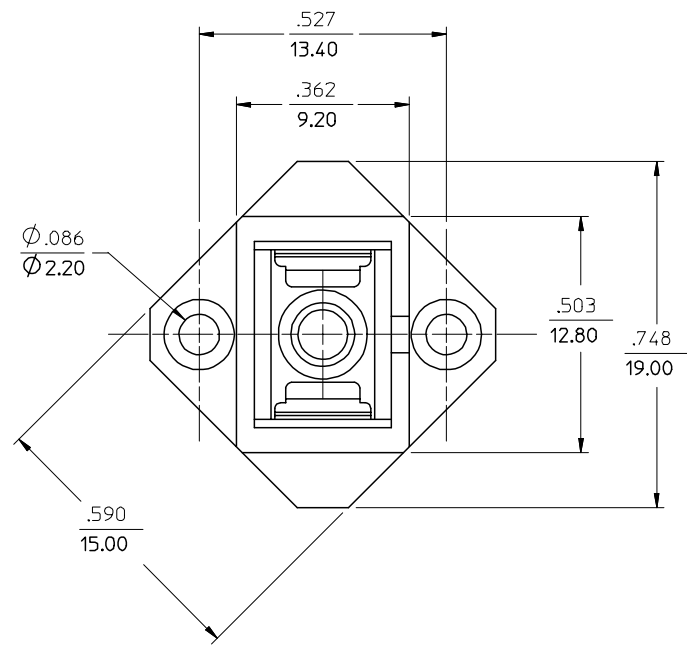
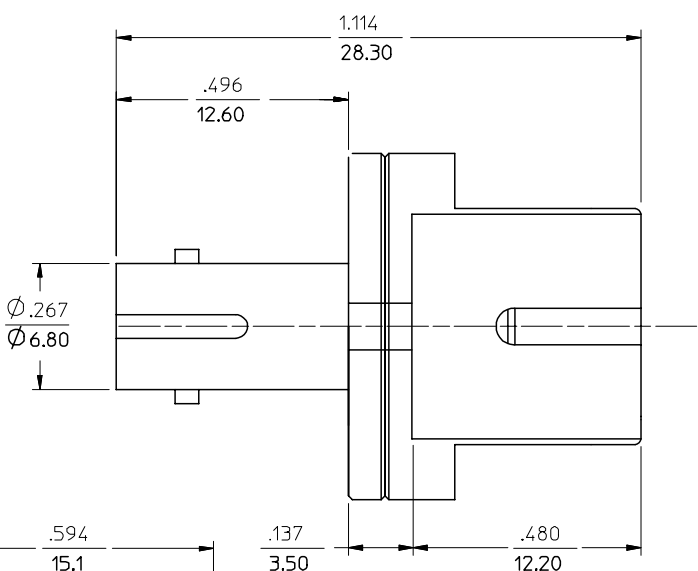


MOLEX P/N	MATERIAL OF SLEEVE
106160-0980	PHOSPHOR BRONZE
106161-0980	ZIRCONIA



PANEL CUTOUT DIAGRAM (SC SIDE)

ENTER DESCRIPTION	QUALITY SYMBOLS
EC NO: MF2006-0260	▽=0
DRWN:RPACIF1C 2005/11/18	▽=0
CHKD: 2005/11/18	
APPR: IGUMIN 2005/11/18	
REV	DESCRIPTION
A	

GENERAL TOLERANCES (UNLESS SPECIFIED)
4 PLACES ± --- ± ---
3 PLACES ± --- ± ---
2 PLACES ± --- ± ---
1 PLACE ± --- ± ---
ANGULAR ±1/2°

DIMENSION STYLE	SCALE	DESIGN UNITS	THIRD ANGLE PROJECTION
IN/MM	4:1	INCH	
DRAWN BY	DATE	TITLE	
RPACIF1C	2005/10/13	ST/SC METAL ADAPTER SQUARE FLANGE	
CHECKED BY	DATE		
APPROVED BY	DATE		
MATERIAL NO.	DOCUMENT NO.	MOLEX INCORPORATED	
SEE TABLE	SD-10616X-0980		
SIZE	THIS DRAWING CONTAINS INFORMATION THAT IS PROPRIETARY TO MOLEX INCORPORATED AND SHOULD NOT BE USED WITHOUT WRITTEN PERMISSION		
B			

DRAFT WHERE APPLICABLE MUST REMAIN WITHIN DIMENSIONS
--

MOLEX INCORPORATED	SHEET NO.
	1 OF 01