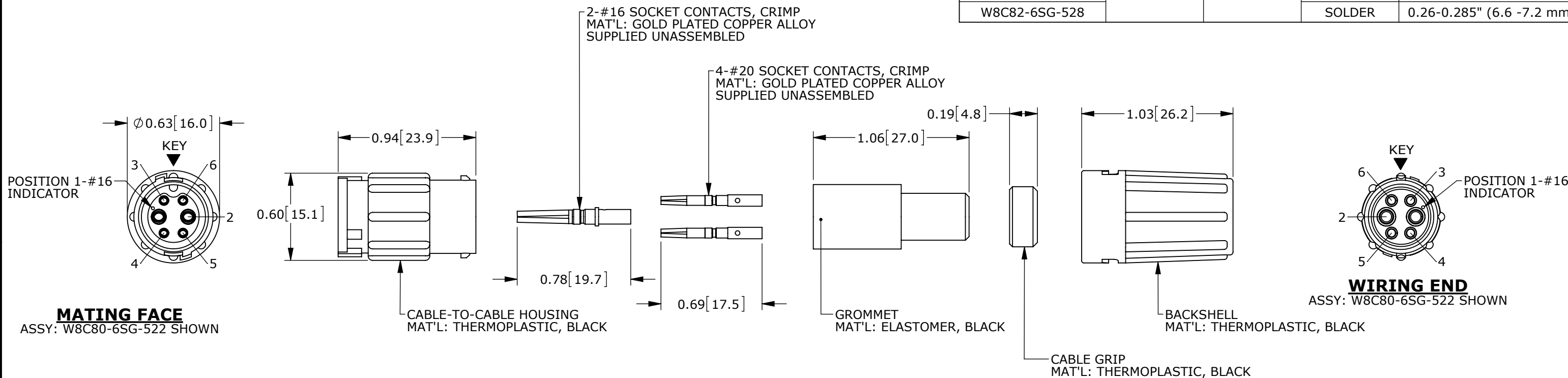


CUSTOMER PRINT

PART NUMBER: W8C8X-6SG-5XX\_CD

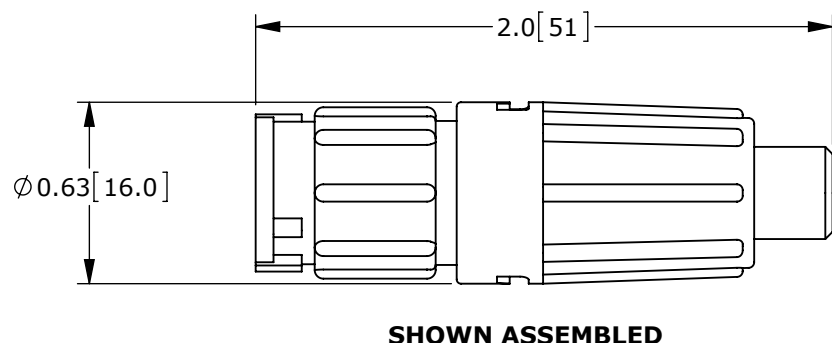
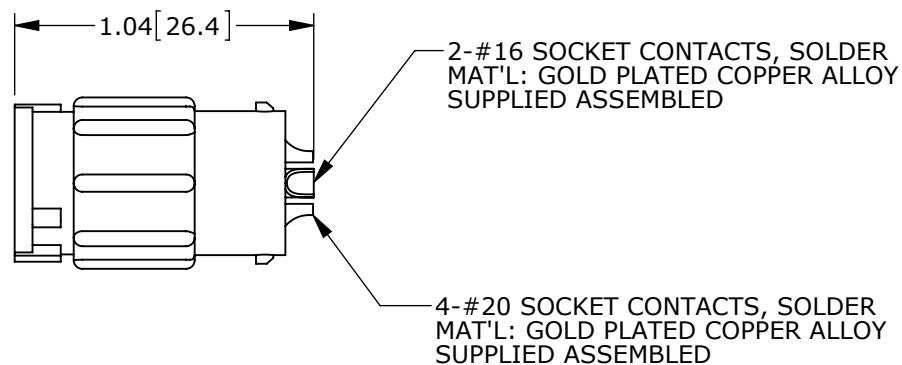
NOTES:  
 1. ALL PARTS TO BE BULK PACKED.  
 2. SEE DRAWING HPMIMIX FOR HOLE PATTERN.  
 3. DIMENSIONS ARE FOR REFERENCE ONLY.

CONNECTOR P/N	POSITIONS		CONTACT STYLE	CABLE O.D. RANGE
	#16	#20		
W8C80-6SG-513	2	4	CRIMP	0.13-0.15" (3.3 -3.8 mm)
W8C80-6SG-516			CRIMP	0.16-0.18" (4.1 -4.6 mm)
W8C80-6SG-519			CRIMP	0.19-0.21" (4.8 -5.3 mm)
W8C80-6SG-522			CRIMP	0.22-0.25" (5.6 -6.3 mm)
W8C80-6SG-528			CRIMP	0.26-0.285" (6.6 -7.2 mm)
W8C82-6SG-513			SOLDER	0.13-0.15" (3.3 -3.8 mm)
W8C82-6SG-516			SOLDER	0.16-0.18" (4.1 -4.6 mm)
W8C82-6SG-519			SOLDER	0.19-0.21" (4.8 -5.3 mm)
W8C82-6SG-522			SOLDER	0.22-0.25" (5.6 -6.3 mm)
W8C82-6SG-528			SOLDER	0.26-0.285" (6.6 -7.2 mm)



**MATING FACE**  
 ASSY: W8C80-6SG-522 SHOWN

**WIRING END**  
 ASSY: W8C80-6SG-522 SHOWN



**SHOWN ASSEMBLED**

**CUSTOMER APPROVAL**

THIS DOCUMENT CONTAINS CONFIDENTIAL INFORMATION PROPRIETARY TO CONXALL CORPORATION. ANY REPRODUCTION, DISCLOSURE, OR USE OF THIS DOCUMENT /INFORMATION IS EXPRESSLY PROHIBITED UNLESS AUTHORIZED IN WRITING BY CONXALL CORPORATION.

APPROVED BY: \_\_\_\_\_  
 DATE: \_\_\_\_\_

**PRELIMINARY**

**RoHS COMPLIANT**

0A	PNK	01-19-16	PDR 14001 PRELIMINARY	
REV.	INIT.	DATE	DESCRIPTION	
			ORIG. DRAWN BY: PNK	DATE: 01-19-16
ALL INFORMATION ILLUSTRATED IS THE PROPERTY OF CONXALL CORPORATION. UNAUTHORIZED DUPLICATION OR DISTRIBUTION OF THIS DOCUMENT IS PROHIBITED.			<p>601 E. WILDWOOD VILLA PARK, IL 60181</p>	
ALL UNITS ARE IN FEET, INCHES, FRACTION OF INCHES AND DECIMALS. UNLESS OTHERWISE SPECIFIED TOLERANCES: 3 PLACE DECIMALS ±.005 ANGLES ±1° FRACTIONS ±1/16				
APPROVED BY:			SCALE: NTS	SHEET: 1 OF 1
FILE: W8C8X-6SG-5XX_CD			DIRECTORY: SLW	PART NUMBER: W8C8X-6SG-5XX_CD
TITLE: CABLE-TO-CABLE CONNECTOR 2-16 + 4-20 SOCKET CONTACTS MINI-CON-X POWER/SIGNAL			CUSTOMER: STANDARD PRODUCT	
				REV 0A