

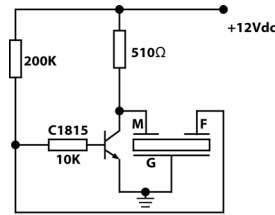
SPECIFICATIONS

PARAMETERS	VALUES	UNIT
RATED VOLTAGE	12	Vdc
OPERATING VOLTAGE RANGE	1.5 ~ 24	Vdc
RATED CURRENT (MAX)	12	mA
CAPACITANCE (MAIN)	30,000 ± 30%	pF
CAPACITANCE (FEEDBACK)	2,900 ± 30%	pF
MINIMUM SPL @ 10 CM CIRCUIT#1	90	dBA
MINIMUM SPL @ 10 CM CIRCUIT#2	98	dBA
MINIMUM SPL @ 10 CM CIRCUIT#3	75	dBA
RESONANT FREQUENCY	3,500 ± 500	Hz
OPERATING TEMPERATURE	-20 ~ +70	°C
STORAGE TEMPERATURE	-30 ~ +80	°C
HOUSING MATERIAL	PBT	-
TERMINAL MATERIAL	TIN/NICKEL PLATED COPPER	-
WEIGHT	5	grams

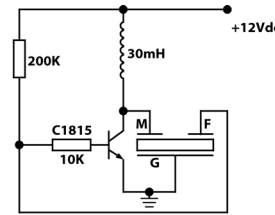
THIS DOCUMENT CONTAINS DATA PROPRIETARY TO PROJECTS UNLIMITED, INC. ANY USE OR REPRODUCTION, IN ANY FORM, WITHOUT PRIOR WRITTEN PERMISSION OF PROJECTS UNLIMITED, INC. IS PROHIBITED.
©2003, Projects Unlimited Inc.

REVISION HISTORY

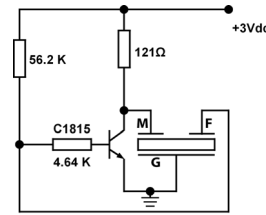
LTR	DESCRIPTION	DATE	APPROVED
-	RELEASED FROM ENGINEERING	10/07/2005	
A	REVISED TO INVENTOR 3-D DRAWING TEMPLATE	9/11/2008	B.R.
B	REVISED CAPACITANCE AND ADDED CIRCUIT# 3	9/5/2012	B.R.



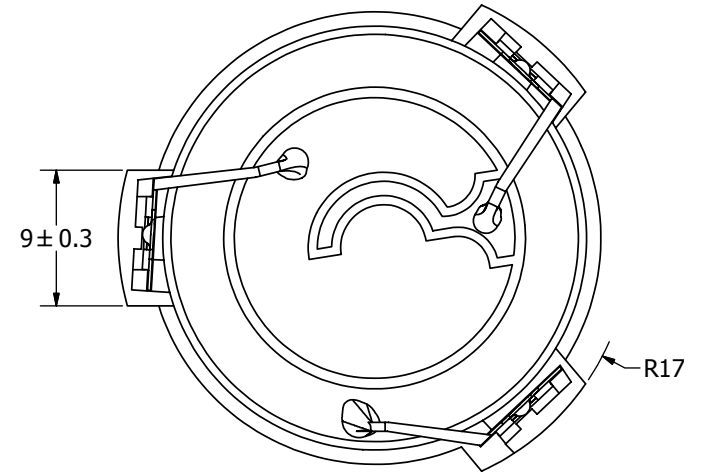
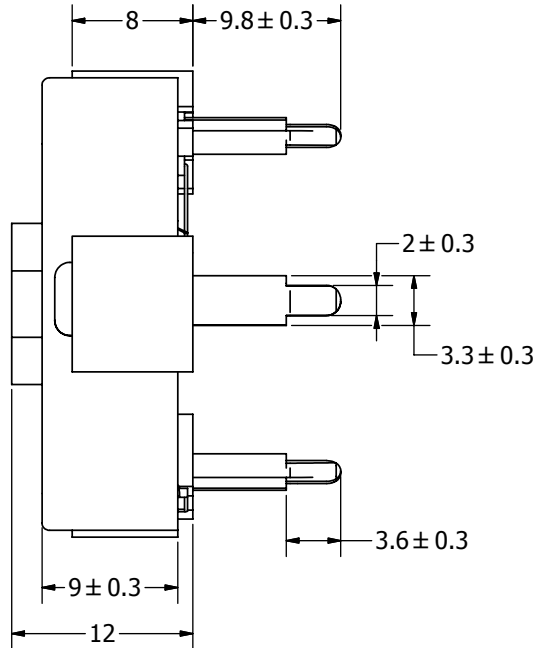
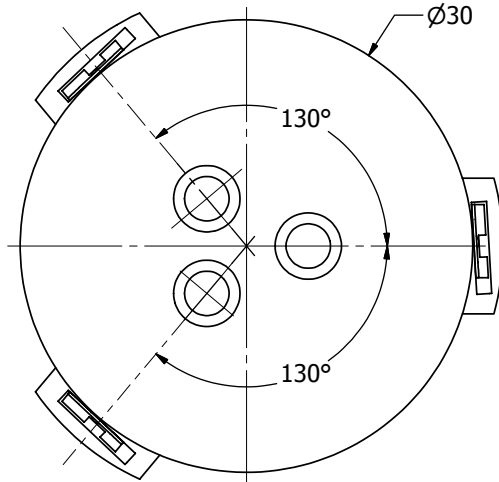
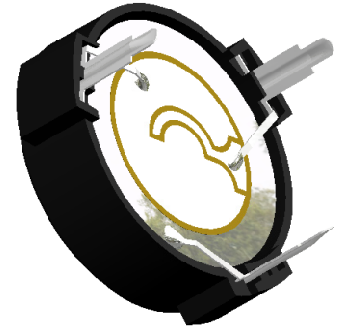
CIRCUIT #1



CIRCUIT #2

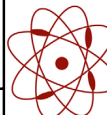


CIRCUIT #3



NOTES:

1. ALL DIMENSIONS ARE IN MILLIMETERS.
2. SPECIFICATIONS SUBJECT TO CHANGE OR WITHDRAWL WITHOUT NOTICE.
3. THE SOUND PRESSURE IS MEASURED BY USING THE REFERENCE DRIVING CIRCUITS SHOWN, CIRCUIT #2 HAS A HIGHER SPL.
4. THIS PART IS RoHS 2002/95/EC COMPLIANT.

UNLESS OTHERWISE SPECIFIED: DIMENSIONS ARE IN MILLIMETERS, TOLERANCES ARE ±0.5 AND ANGLES ARE ±3°.	SIZE A3	Designed by	Date	Checked by	Date	Approved by	Date	Drawn Date
		J.A.F.	10/7/2005	B.R.	10/7/2005	E.P.	10/7/2005	9/10/2008
AT-3035-TT-R.idw		 pui audio a projects unlimited company			AT-3035-TT-R Transducer (Piezo)		Edition	Sheet
							-	1 / 1