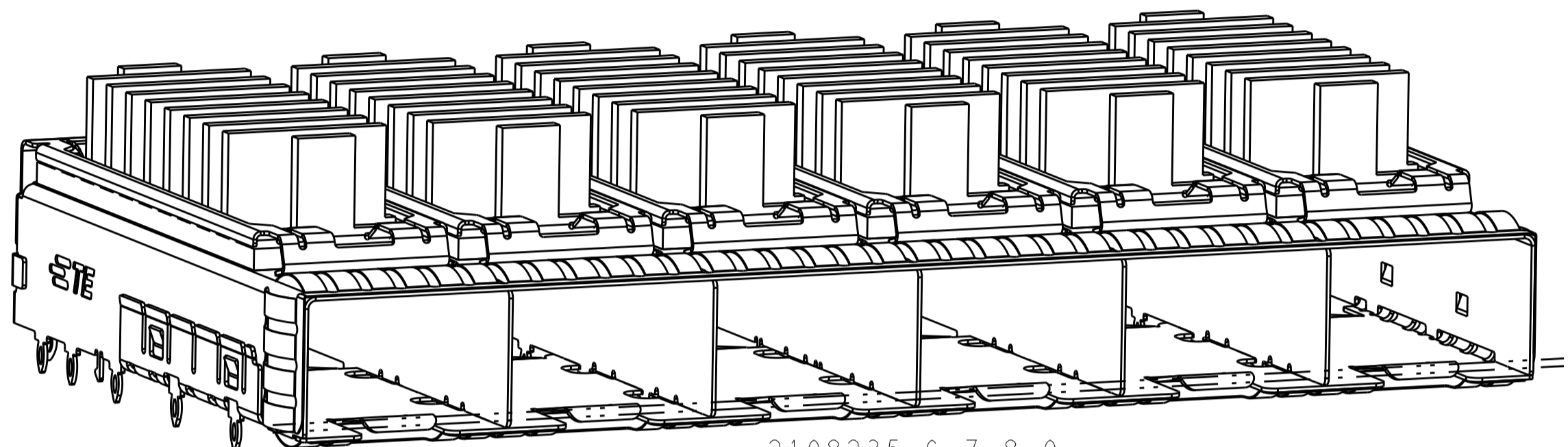
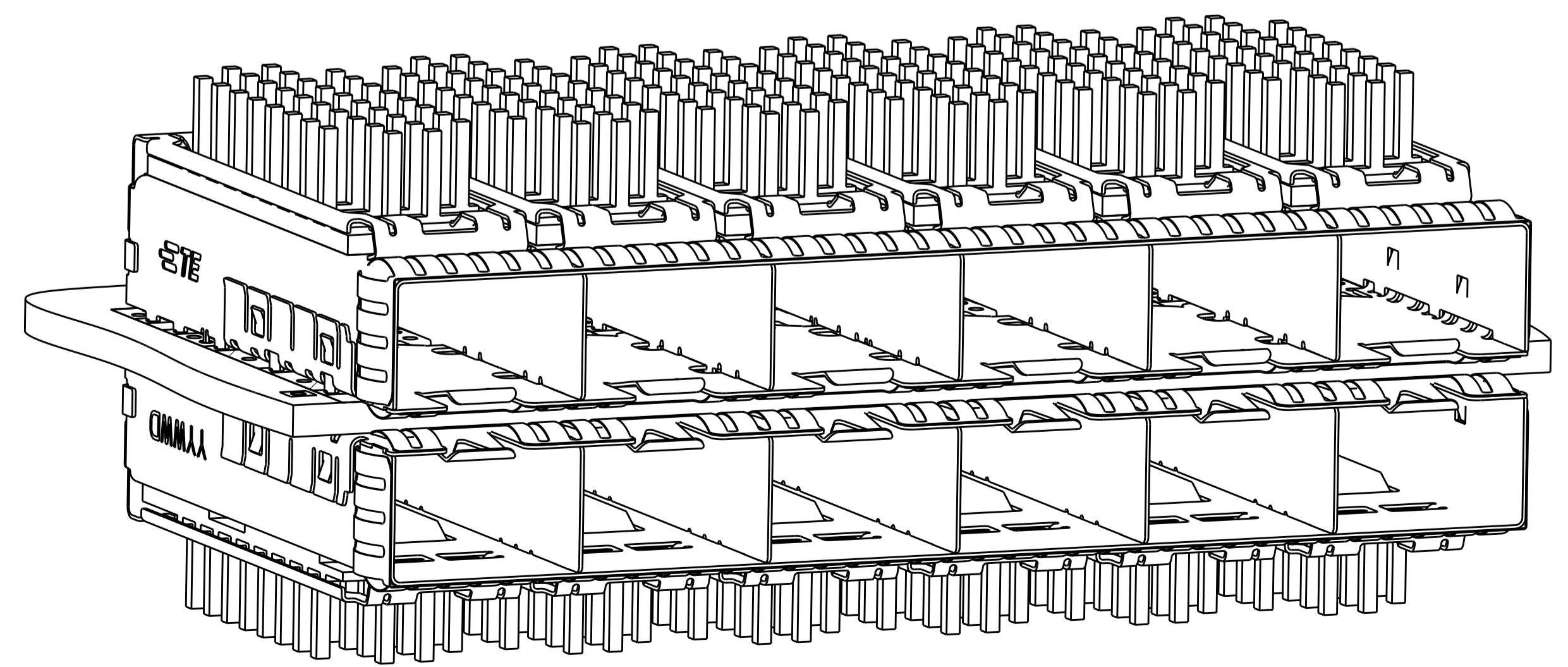
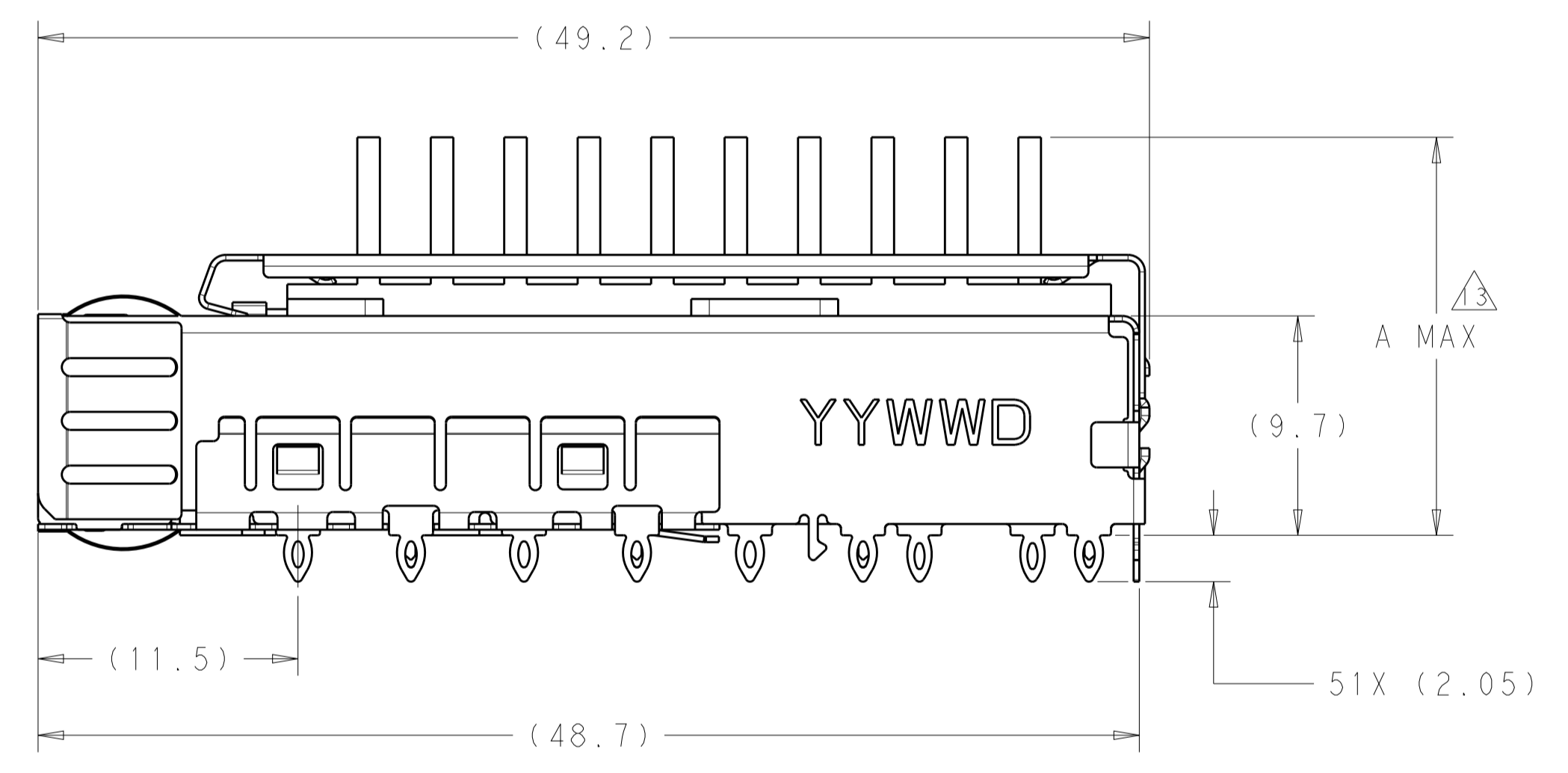
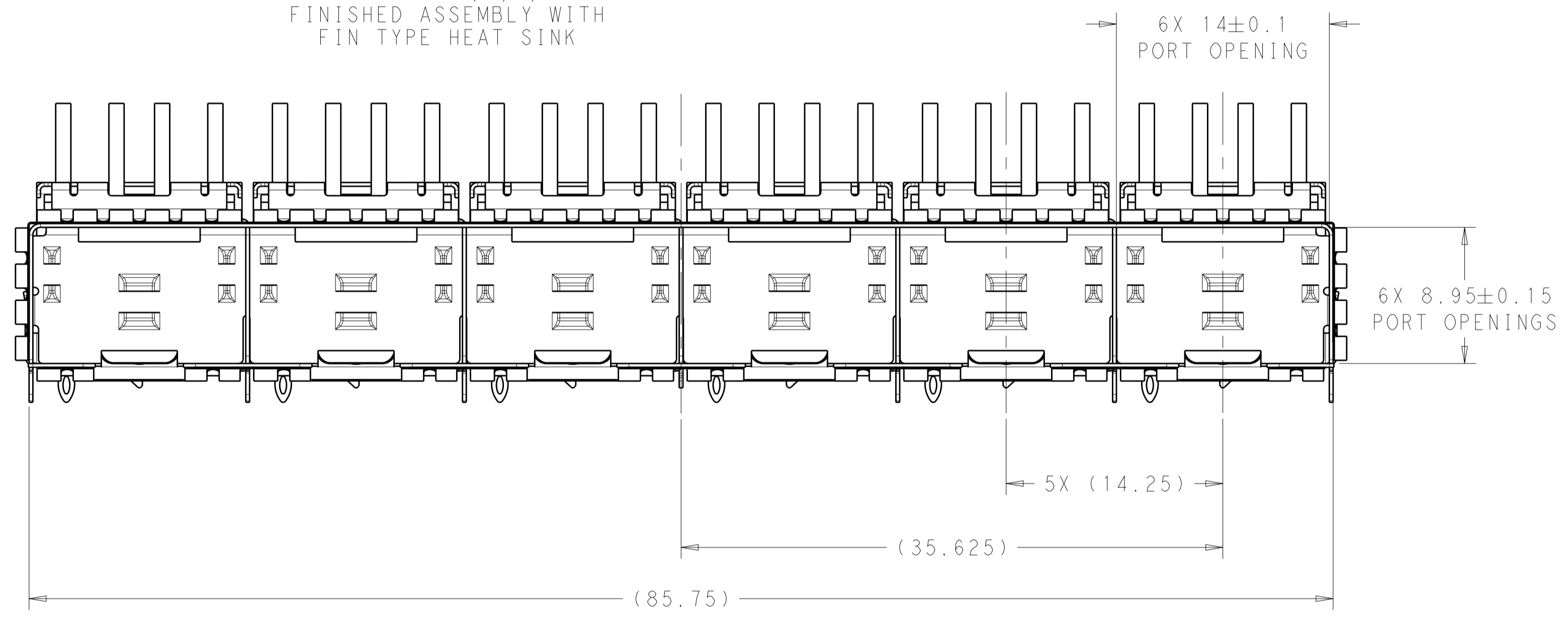


2198235-1,2,3,4,5
 FINISHED ASSEMBLY WITH
 PIN TYPE HEAT SINK



2198235-6,7,8,9
 FINISHED ASSEMBLY WITH
 FIN TYPE HEAT SINK



2198235
 MOUNTED BELLY TO BELLY ON PCB
 SCALE 3:1

- △ MATERIAL:
 CAGE ASSEMBLY: 0.25mm THICK NICKEL SILVER ALLOY.
 HEATSINK CLIP: STAINLESS STEEL
 HEATSINK: ALUMINUM
- △ FINISH:
 EMI SPRINGS: MINIMUM OF 0.8um TIN PLATE OVER A MINIMUM OF 0.8um NICKEL UNDERPLATE.
 NON-PLATED EDGES PERMISSIBLE.
 HEATSINK CLIP: PASSIVATE
 HEATSINK: ELECTROLESS NICKEL
- 3. MATES WITH SFP MSA COMPLIANT TRANSCEIVERS.
- △ PADS AND VIAS CHASSIS GROUND.
- 5. INTERPRETATION OF DATUM REFERENCE FRAME IN ACCORDANCE WITH SECT 4.4.1.1 OF ASME Y14.5M-1994.
- △ MINIMUM PC BOARD THICKNESS:
 SINGLE SIDED = 1.50mm
 DOUBLE SIDED = 2.25mm
- △ HOLE PATTERN REPEATS FOR EACH PORT. SPACING BETWEEN PORTS IS 14.25mm.
- △ DATUM AND BASIC DIMENSION ESTABLISHED BY CUSTOMER.
- △ REFERENCE APPLICATION SPEC. 114-13120, HOLE A, FOR RECOMMENDED DRILL HOLE DIAMETER AND PLATING THICKNESS.
- △ REFERENCE APPLICATION SPEC. 114-13120, HOLE B, FOR RECOMMENDED DRILL HOLE DIAMETER AND PLATING THICKNESS.
- 11. CERTAIN MATING TRANCEIVERS MAY REQUIRE ADDITIONAL PCB THICKNESS THAT WOULD BE DETERMINED BY THE CUSTOMER.
- 12. PRODUCT COMPLIES WITH SPECIFICATION SFF-8433 IMPROVED PLUGGABLE FORM FACTOR FOR SFP+ GANGED CAGES.
- △ DIMENSION APPLIES PRIOR TO INSERTION OF SFP MODULE

| LOC | DIST | REVISIONS | | | | |
|-----|------|-----------|----------------------------|-----------|-----|------|
| GP | 00 | REV | DESCRIPTION | DATE | OWN | APVD |
| | | A | RELEASED PER ECO-12-013192 | 06NOV2012 | BMM | MRS |
| | | B | RELEASED PER ECO-13-000564 | 30JAN2013 | BMM | MRS |
| | | B1 | RELEASED PER ECO-13-014600 | 20SEP2013 | PP | SH |
| | | B2 | RELEASED PER ECO-15-006578 | 20APR2015 | PP | SH |

| FIN TYPE | W/O INSULATING TAPE | 22.5 | NETWORKING, TALL | 2198235-9 |
|-----------|---------------------|-------|-------------------|-------------|
| FIN TYPE | W/O INSULATING TAPE | 18.1 | NETWORKING, SHORT | 2198235-8 |
| FIN TYPE | W/O INSULATING TAPE | 15.5 | SAN | 2198235-7 |
| FIN TYPE | W/O INSULATING TAPE | 13.2 | PCI | 2198235-6 |
| PIN TYPE | W/ INSULATING TAPE | 22.5 | NETWORKING, TALL | 2198235-5 |
| PIN TYPE | W/O INSULATING TAPE | 22.5 | NETWORKING, TALL | 2198235-4 |
| PIN TYPE | W/O INSULATING TAPE | 18.1 | NETWORKING, SHORT | 2198235-3 |
| PIN TYPE | W/O INSULATING TAPE | 15.5 | SAN | 2198235-2 |
| PIN TYPE | W/O INSULATING TAPE | 13.2 | PCI | 2198235-1 |
| HEAT SINK | DESCRIPTION | A MAX | APPLICATION | PART NUMBER |

THIS DRAWING IS A CONTROLLED DOCUMENT. DWG: B. MATTHEWS 15NOV2011
 CHK: M. SCHMITT 15NOV2011
 APVD: M. SCHMITT 15NOV2011

DIMENSIONS: mm
 TOLERANCES UNLESS OTHERWISE SPECIFIED:
 0 PLC ±0.1
 1 PLC ±0.1
 2 PLC ±0.1
 3 PLC ±0.1
 4 PLC ±0.1
 ANGLES ±0.1°

MATERIAL: △ FINISH: △

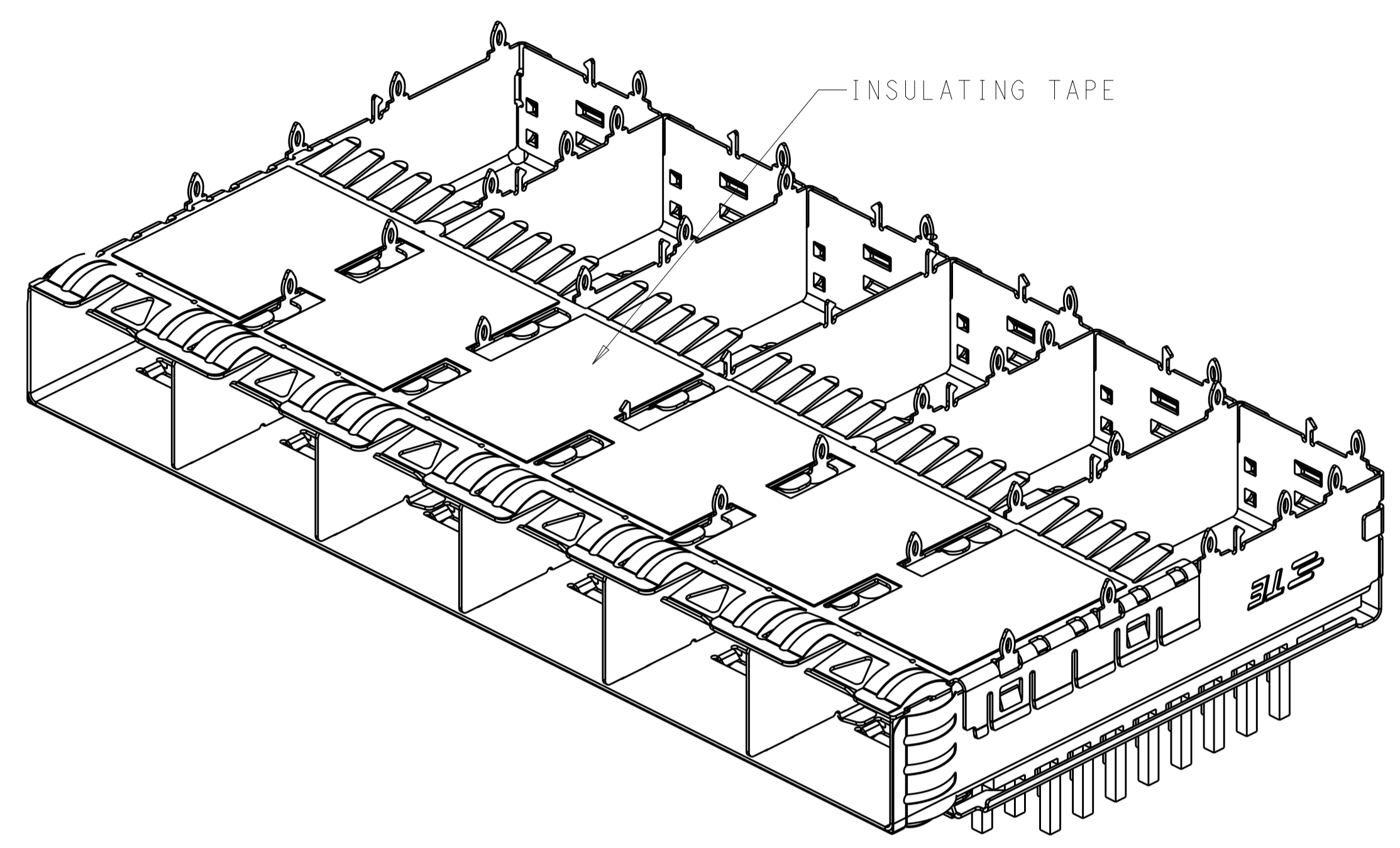
Customer Drawing

NAME: SFP+ ENHANCED 1X6 CAGE ASSEMBLY, PRESS FIT, EXTERNAL EMI SPRINGS WITH HEATSINK
 PRODUCT SPEC: 108-2364
 APPLICATION SPEC: 114-13120
 WEIGHT: -

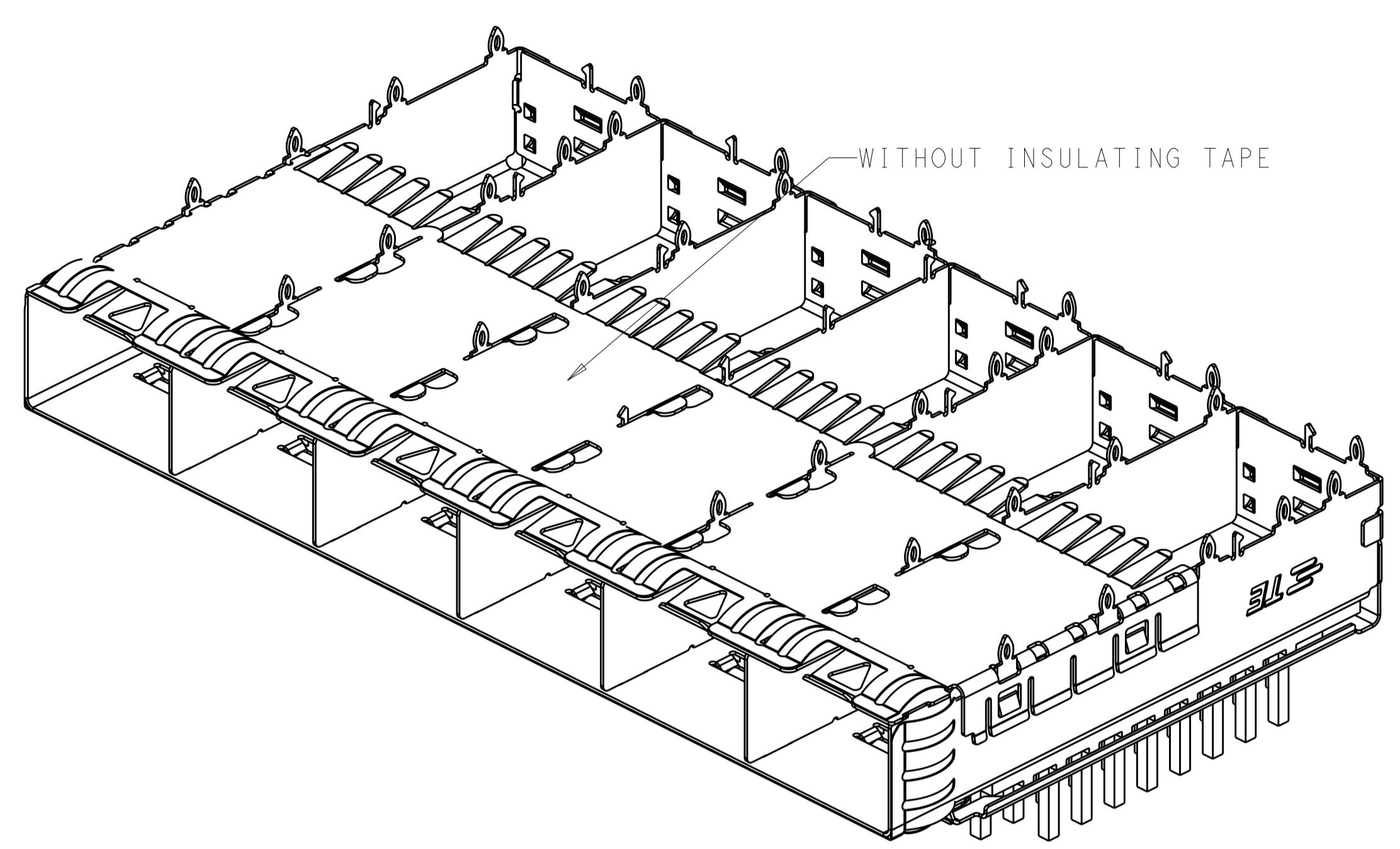
SIZE: A1
 CAGE CODE: 100779
 DRAWING NO: 2198235

RESTRICTED TO: -
 SCALE: 4:1
 SHEET: 1 OF 7
 REV: B2

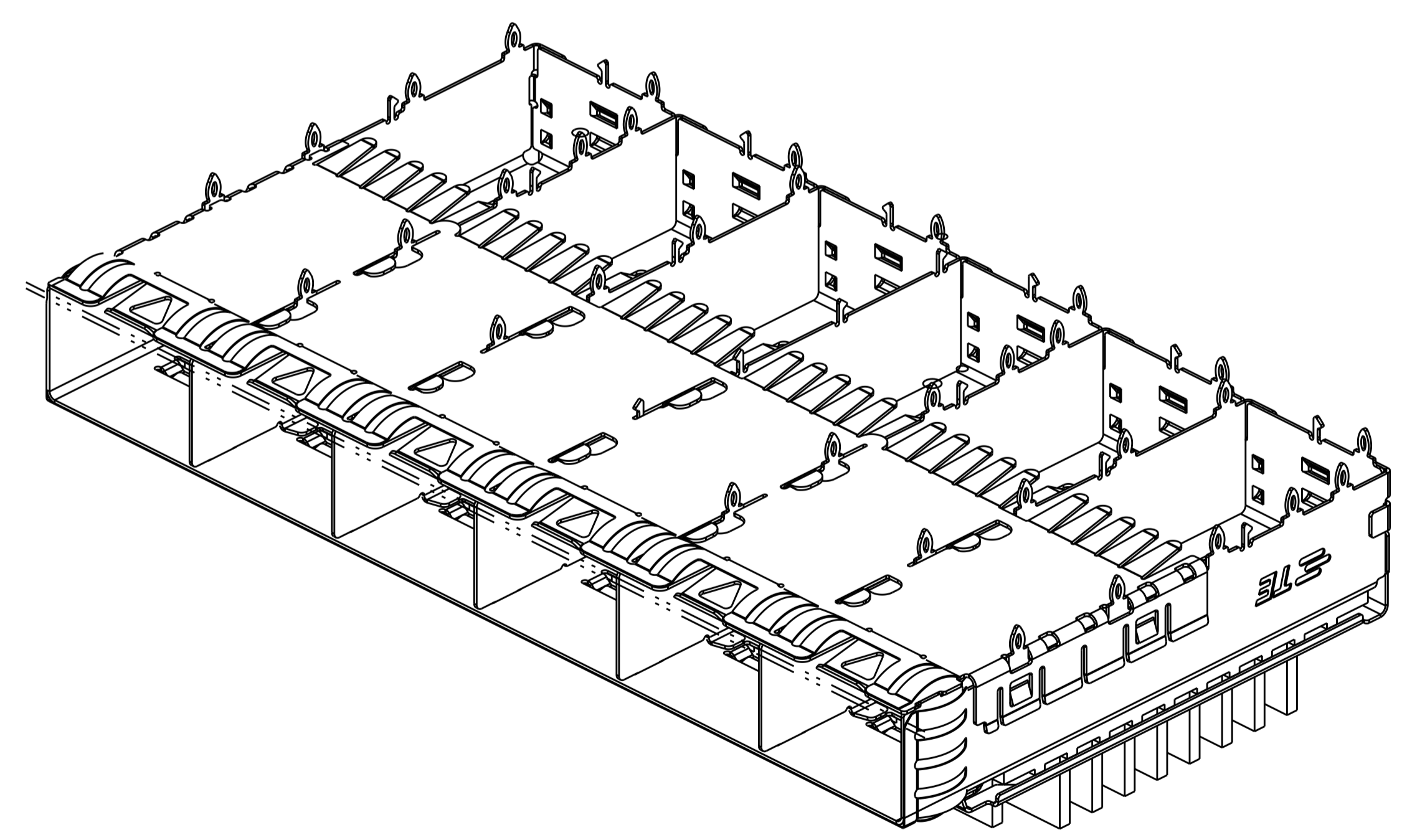
| LOC | DIST | REVISIONS | | | | | |
|-----|------|-----------|-----|-------------|------|-----|------|
| GP | 00 | P | LYR | DESCRIPTION | DATE | DWN | APVD |
| | | - | | SEE SHEET 1 | | | |
| | | | | | | | |
| | | | | | | | |



2198235-5 AS SHOWN WITH INSULATING TAPE
 WITH PIN TYPE HEAT SINK



2198235-1,2,3,4 WITHOUT INSULATING TAPE
 WITH PIN TYPE HEAT SINK

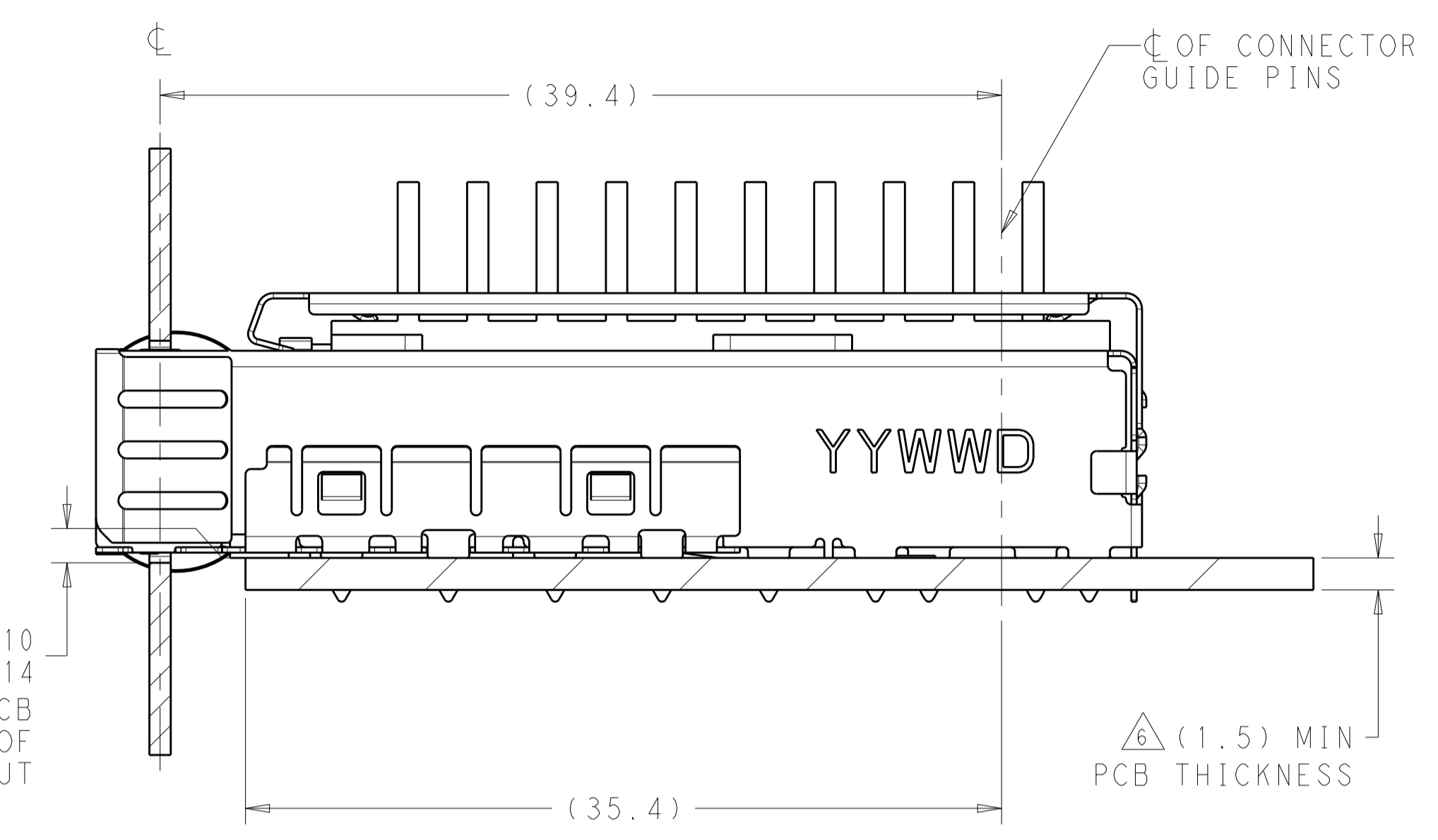
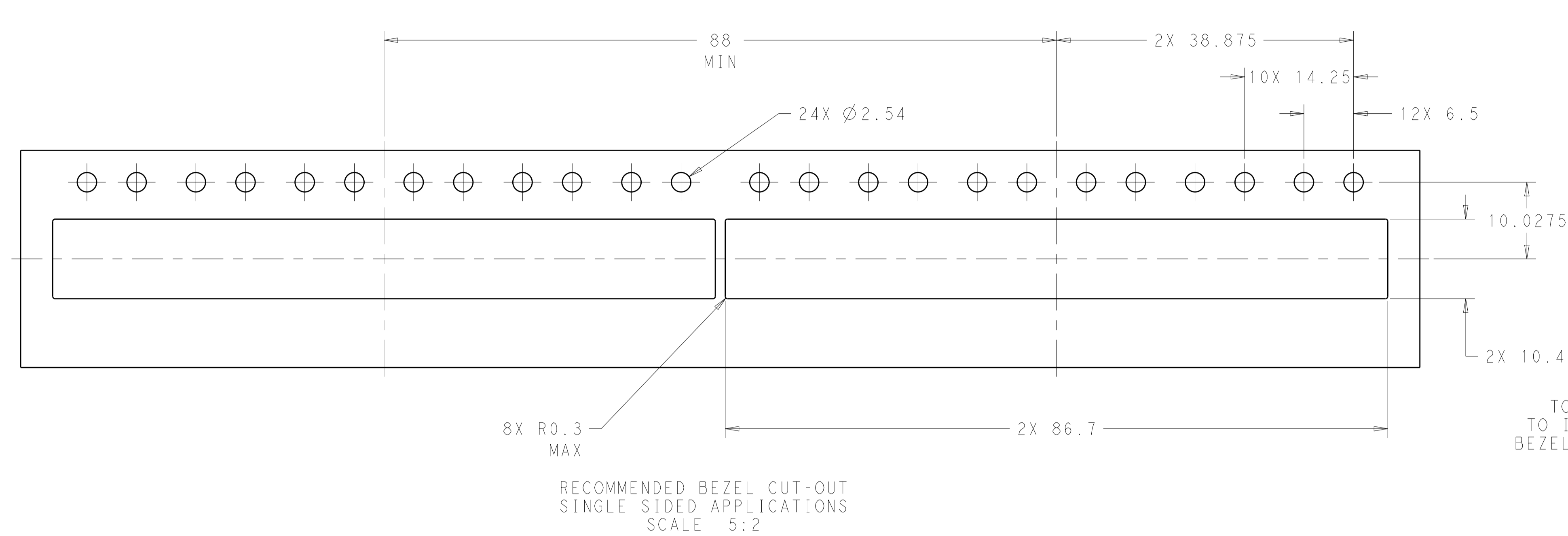


2198235-6,7,8,9 AS SHOWN WITHOUT INSULATING TAPE WITH FIN TYPE HEAT SINK

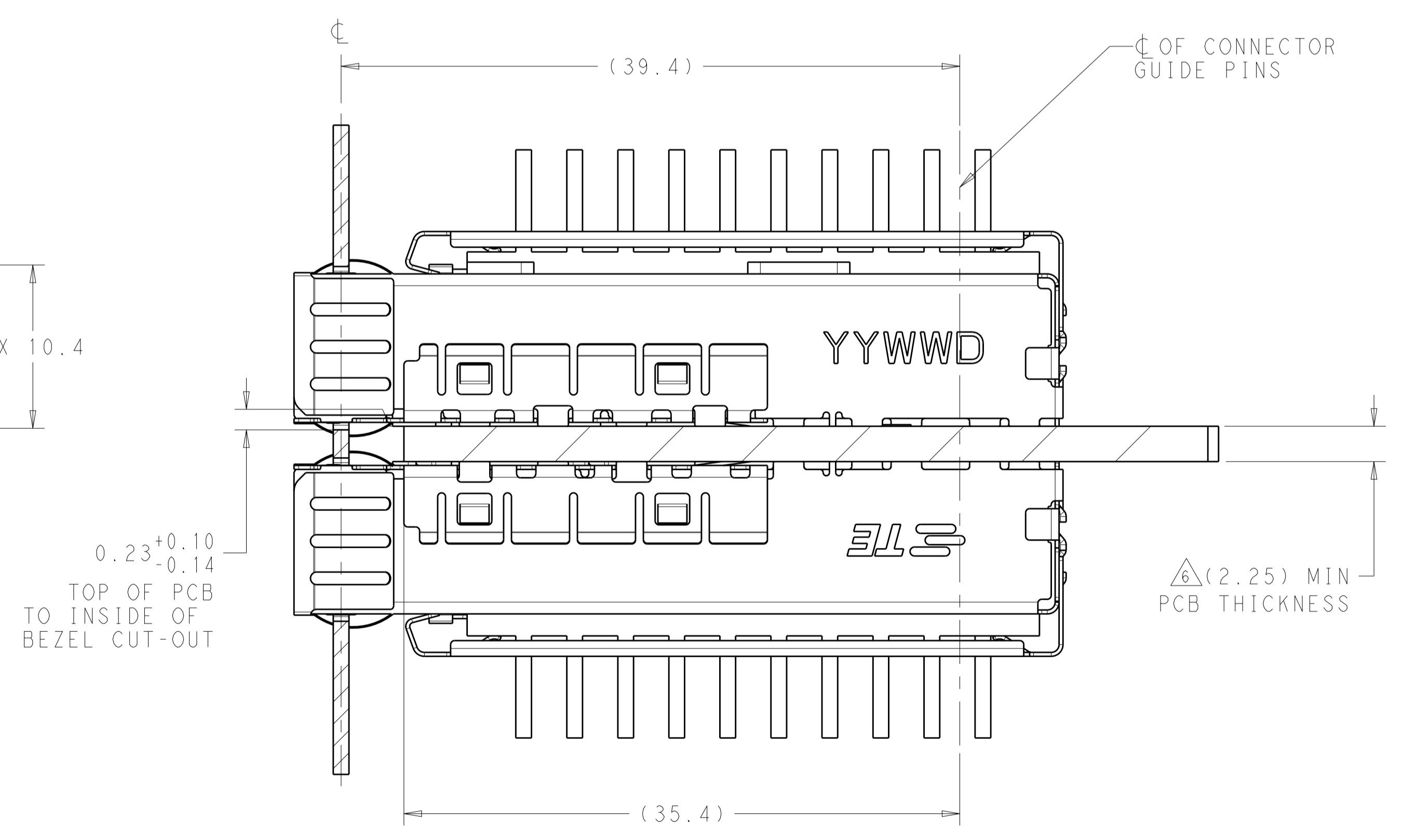
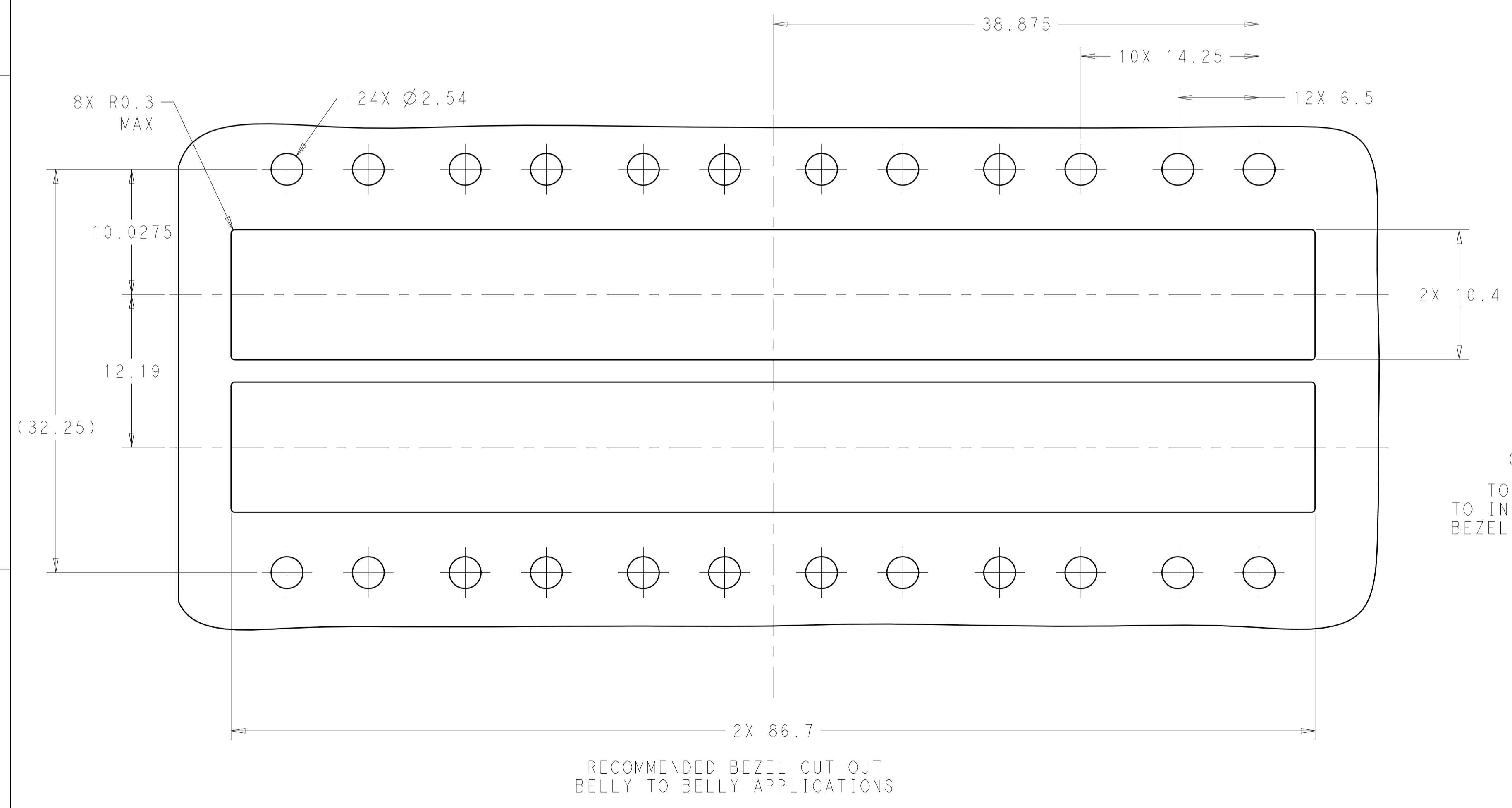
| | | | | | | | | | | | |
|--|--|------------------|-------------|-----------|--|-------|---|----|---|-----|----|
| THIS DRAWING IS A CONTROLLED DOCUMENT. | | DWN | B. MATTHEWS | 15NOV2011 | TE Connectivity NAME: SFP+ ENHANCED 1X6 CAGE ASSEMBLY, PRESS FIT, EXTERNAL EMI SPRINGS WITH HEATSINK PRODUCT SPEC: 108-2364 APPLICATION SPEC: 114-13120 SIZE: A1 CAGE CODE: 00779 DRAWING NO: C=2198235 RESTRICTED TO: - SCALE: 4:1 SHEET 2 OF 7 REV: B2 | | | | | | |
| DIMENSIONS: | | CHK | M. SCHMITT | 15NOV2011 | | | | | | | |
| mm | | APVD | M. SCHMITT | 15NOV2011 | | | | | | | |
| TOLERANCES UNLESS OTHERWISE SPECIFIED: 0 PLC ±0.1 1 PLC ±0.1 2 PLC ±0.1 3 PLC ±0.1 4 PLC ±0.1 ANGLES ±0.1° | | MATERIAL FINISH | | WEIGHT | | | | | | | |
| | | Customer Drawing | | SCALE | 4:1 | SHEET | 2 | OF | 7 | REV | B2 |

| LOC | DIST | REV | DATE | BY | APPD |
|-----|------|-----|------|----|------|
| GP | 00 | | | | |

| REVISIONS | | | |
|-----------|-------------|------|----|
| NO. | DESCRIPTION | DATE | BY |
| - | SEE SHEET 1 | - | - |



2198235
MOUNTED ON PC BOARD
SHOWN THRU RECOMMENDED BEZEL

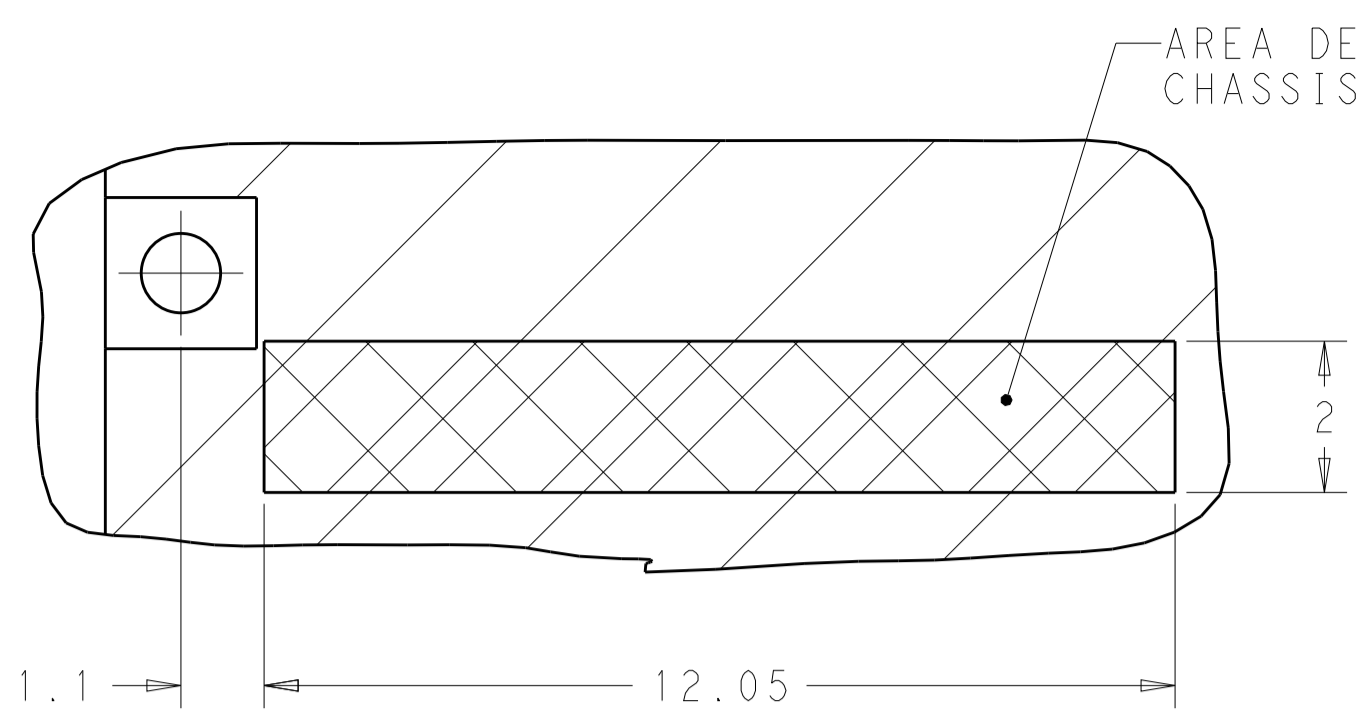


2198235
MOUNTED BELLY TO BELLY ON PC BOARD
SHOWN THRU RECOMMENDED BEZEL

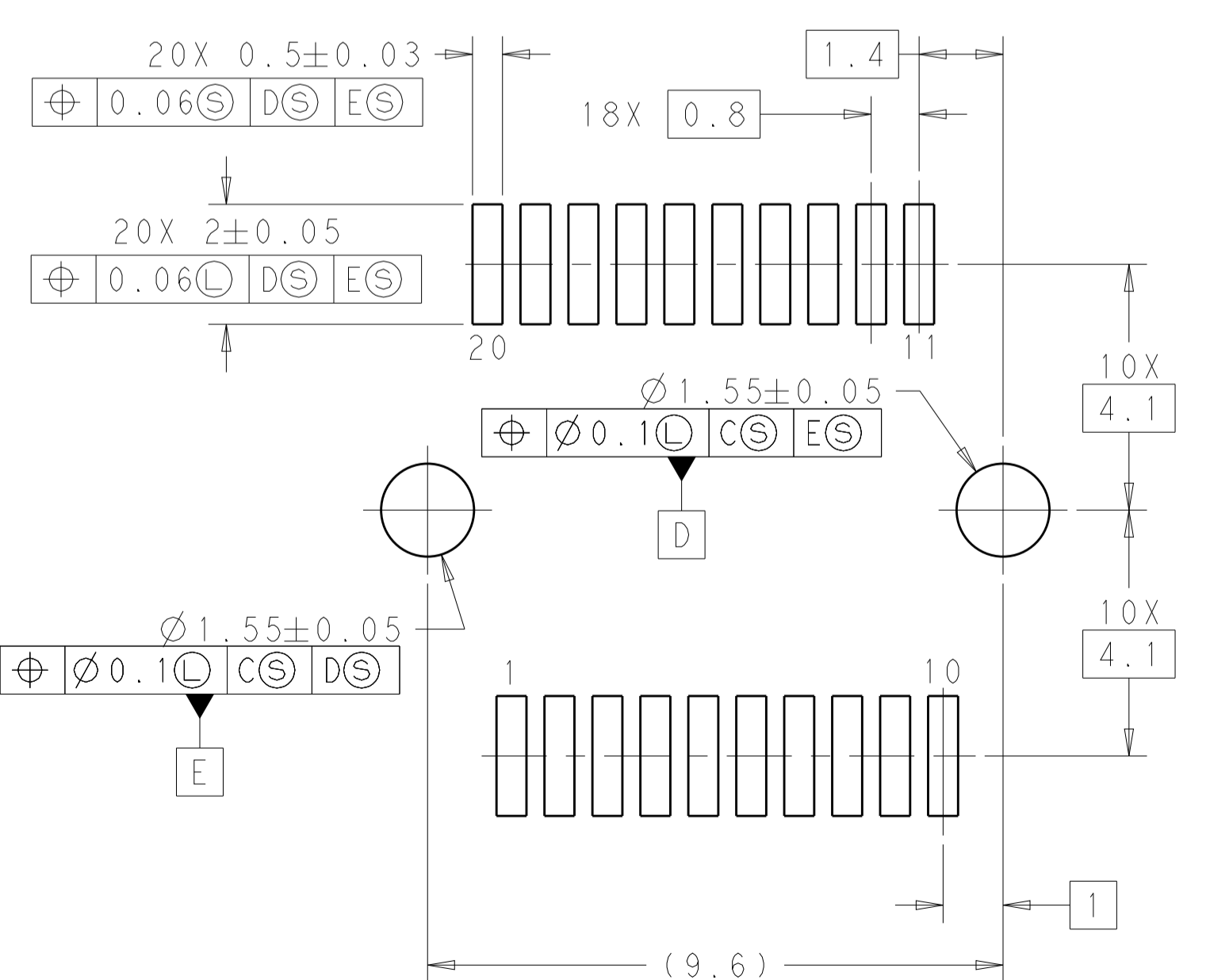
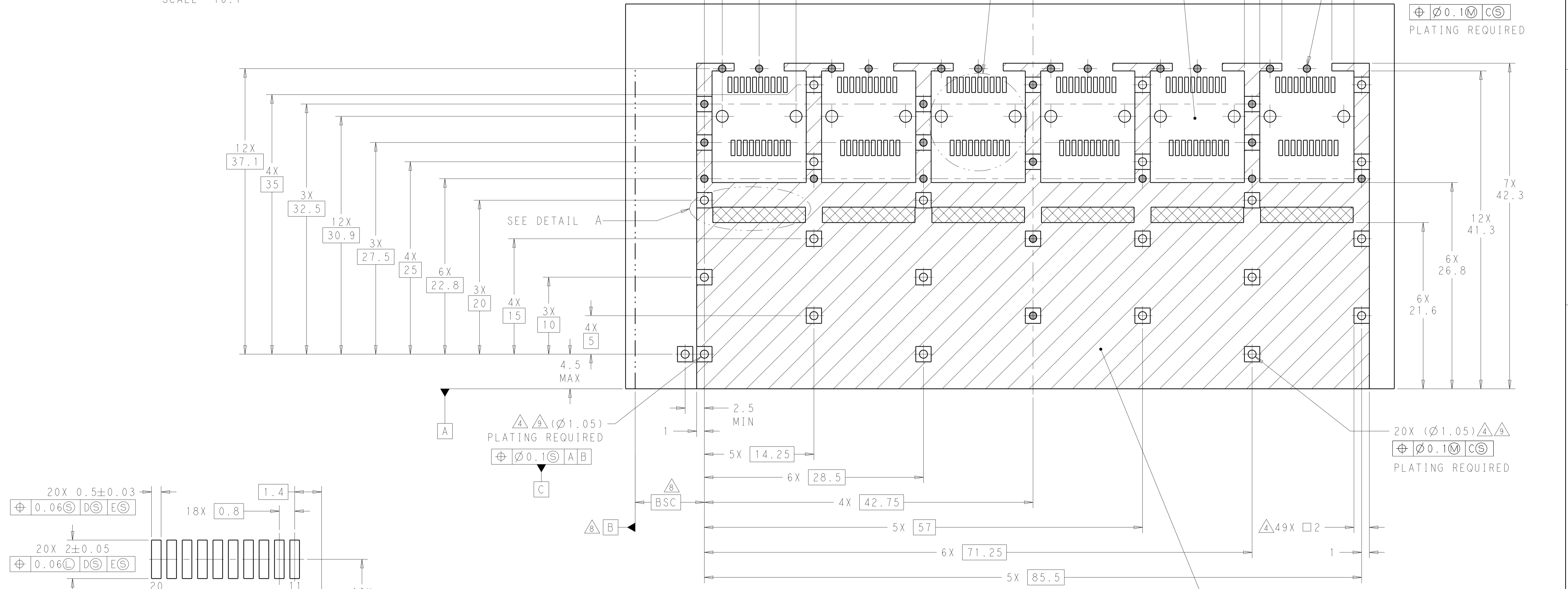
| | | | |
|--|--|--|---|
| THIS DRAWING IS A CONTROLLED DOCUMENT. | | OWN: B. MATTHEWS 15NOV2011 | TE Connectivity |
| DIMENSIONS: mm | | CHK: M. SCHMITT 15NOV2011 | |
| TOLERANCES UNLESS OTHERWISE SPECIFIED: | | APPD: M. SCHMITT 15NOV2011 | |
| 0 PLC ±0.1 1 PLC ±0.1 2 PLC ±0.1 3 PLC ±0.1 4 PLC ±0.1 ANGLES ±1° | | NAME: SFP+ ENHANCED 1X6 CAGE ASSEMBLY, PRESS FIT, EXTERNAL EMI SPRINGS WITH HEATSINK PRODUCT SPEC: 108-2364 APPLICATION SPEC: 114-13120 WEIGHT: - Customer Drawing | |
| MATERIAL: | | FINISH: - | SIZE: A1 CAGE CODE: 00779 DRAWING NO: 2198235 SCALE: 4:1 SHEET: 3 OF 7 REV: B2 |

| LOC | DIST | REV | DATE | BY | APPV |
|-----|------|-----|------|----|------|
| GP | 00 | | | | |

| REVISIONS | | | |
|-----------|-------------|------|----|
| NO. | DESCRIPTION | DATE | BY |
| 1 | SEE SHEET 1 | | |



DETAIL A
6X INDIVIDUALLY
SCALE 10:1

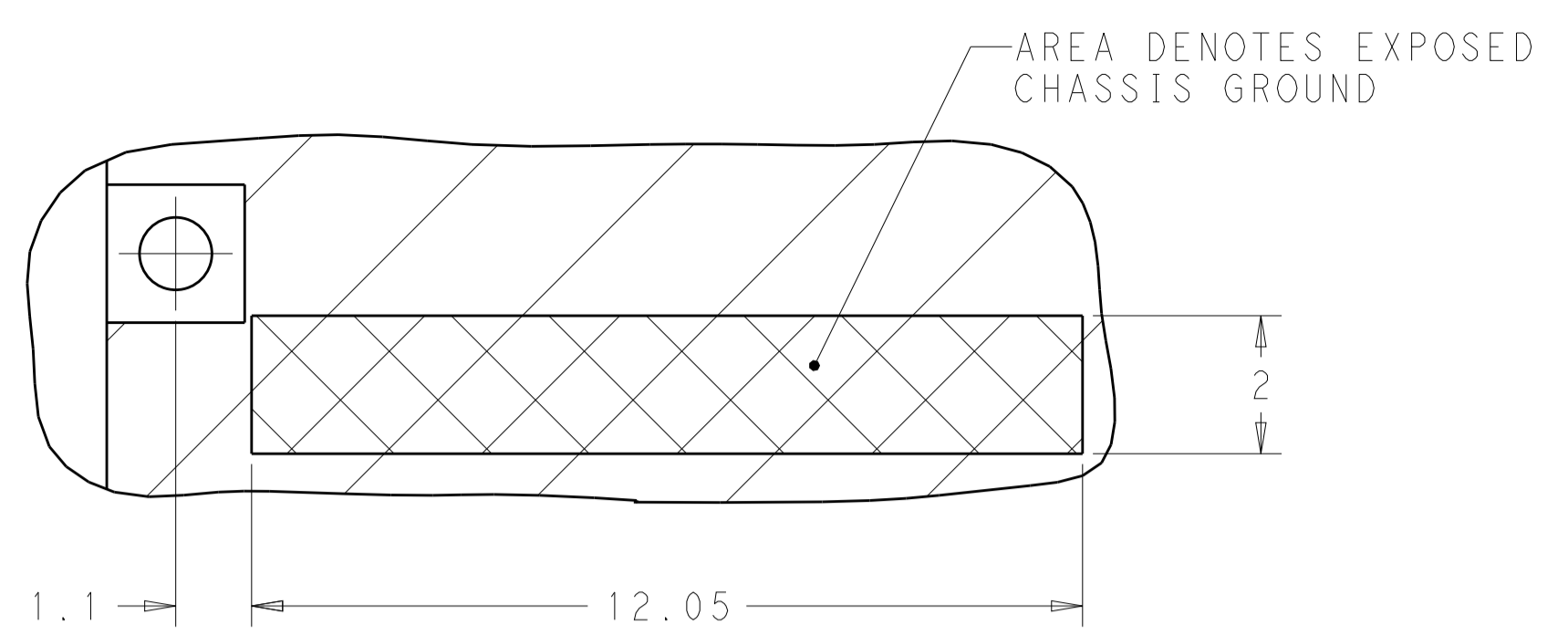


DETAIL X
RECOMMENDED PT CONNECTOR LAYOUT
6X INDIVIDUALLY
SCALE 10:1

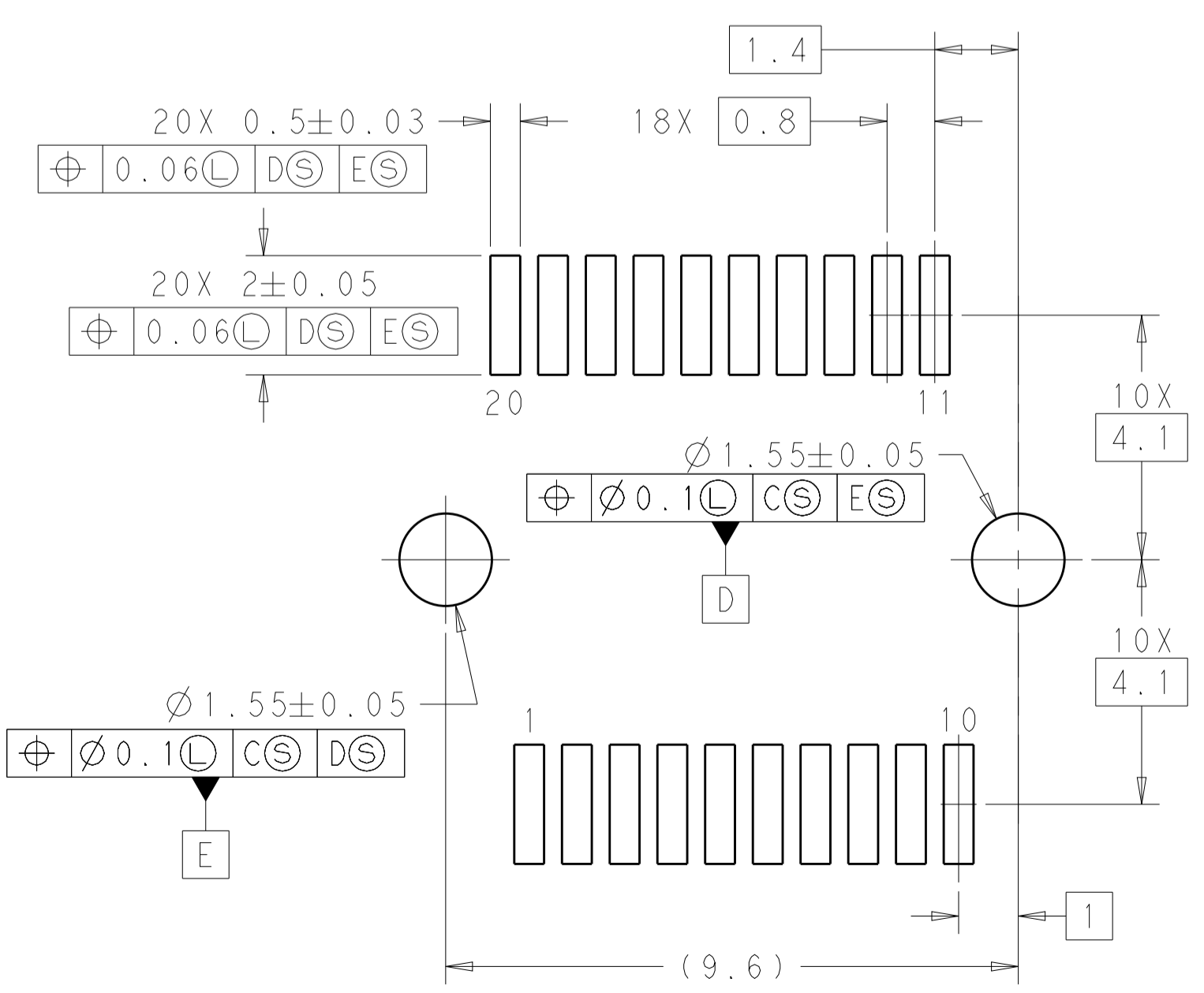
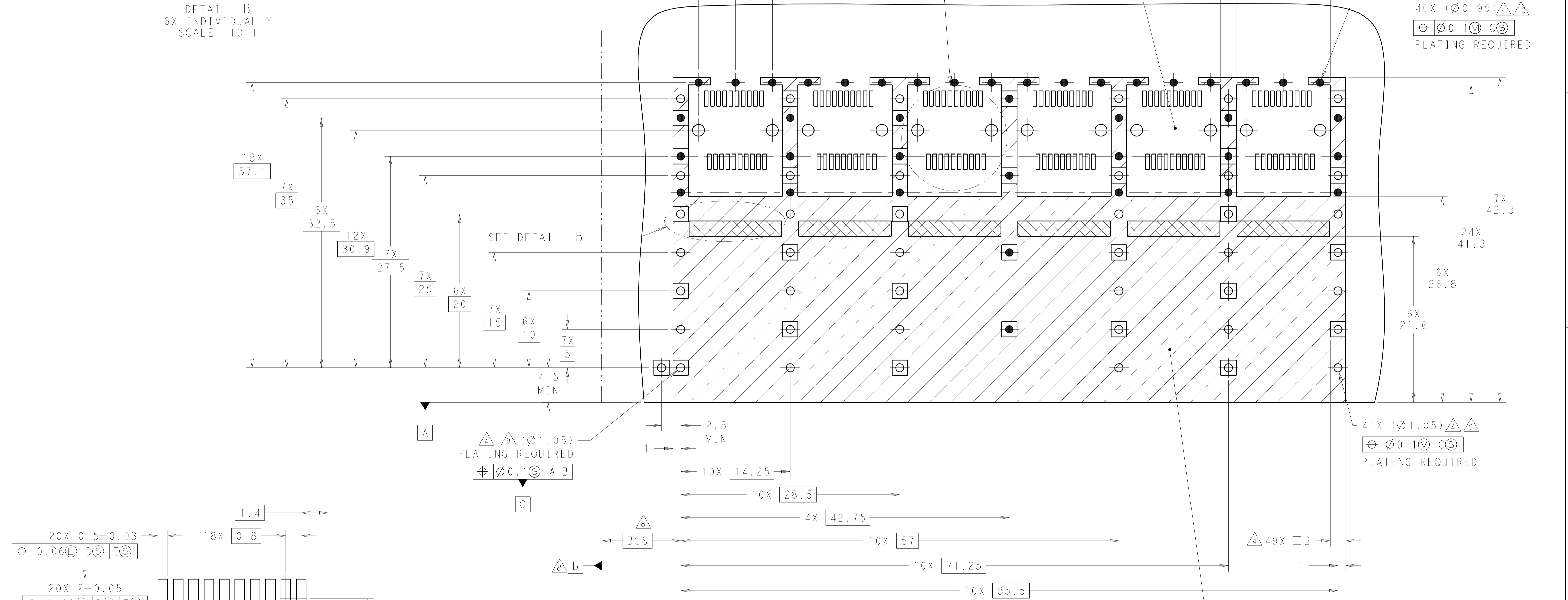
| | | | |
|--|--|----------------------------|--|
| THIS DRAWING IS A CONTROLLED DOCUMENT. | | OWN: B. MATTHEWS 15NOV2011 | TE Connectivity |
| DIMENSIONS: mm | | CHK: M. SCHMITT 15NOV2011 | |
| TOLERANCES UNLESS OTHERWISE SPECIFIED: | | APVD: M. SCHMITT 15NOV2011 | NAME: SFP+ ENHANCED 1X6 CAGE ASSEMBLY, PRESS FIT, EXTERNAL EMI SPRINGS WITH HEATSINK PRODUCT SPEC: 108-2364 APPLICATION SPEC: 114-13120 SIZE: CAGE CODE DRAWING NO: A100779 ©=2198235 RESTRICTED TO: |
| 0 PLC ±0.1 | | REVISIONS: | |
| 1 PLC ±0.1 | | DATE: | |
| 2 PLC ±0.1 | | BY: | |
| 3 PLC ±0.1 | | APPV: | |
| 4 PLC ±0.1 | | WEIGHT: | |
| ANGLES ±0.1 | | Customer Drawing | SCALE: 4:1 SHEET 4 OF 7 REV: B2 |

| LOC | DIST | REV | DATE | BY | APPV |
|-----|------|-----|------|----|------|
| GP | 00 | | | | |

| REVISIONS | | | |
|-----------|-------------|------|----|
| NO. | DESCRIPTION | DATE | BY |
| - | SEE SHEET 1 | - | - |



DETAIL B
6X INDIVIDUALLY
SCALE 10:1



DETAIL Y
RECOMMENDED PT CONNECTOR LAYOUT
12X INDIVIDUALLY
SCALE 10:1

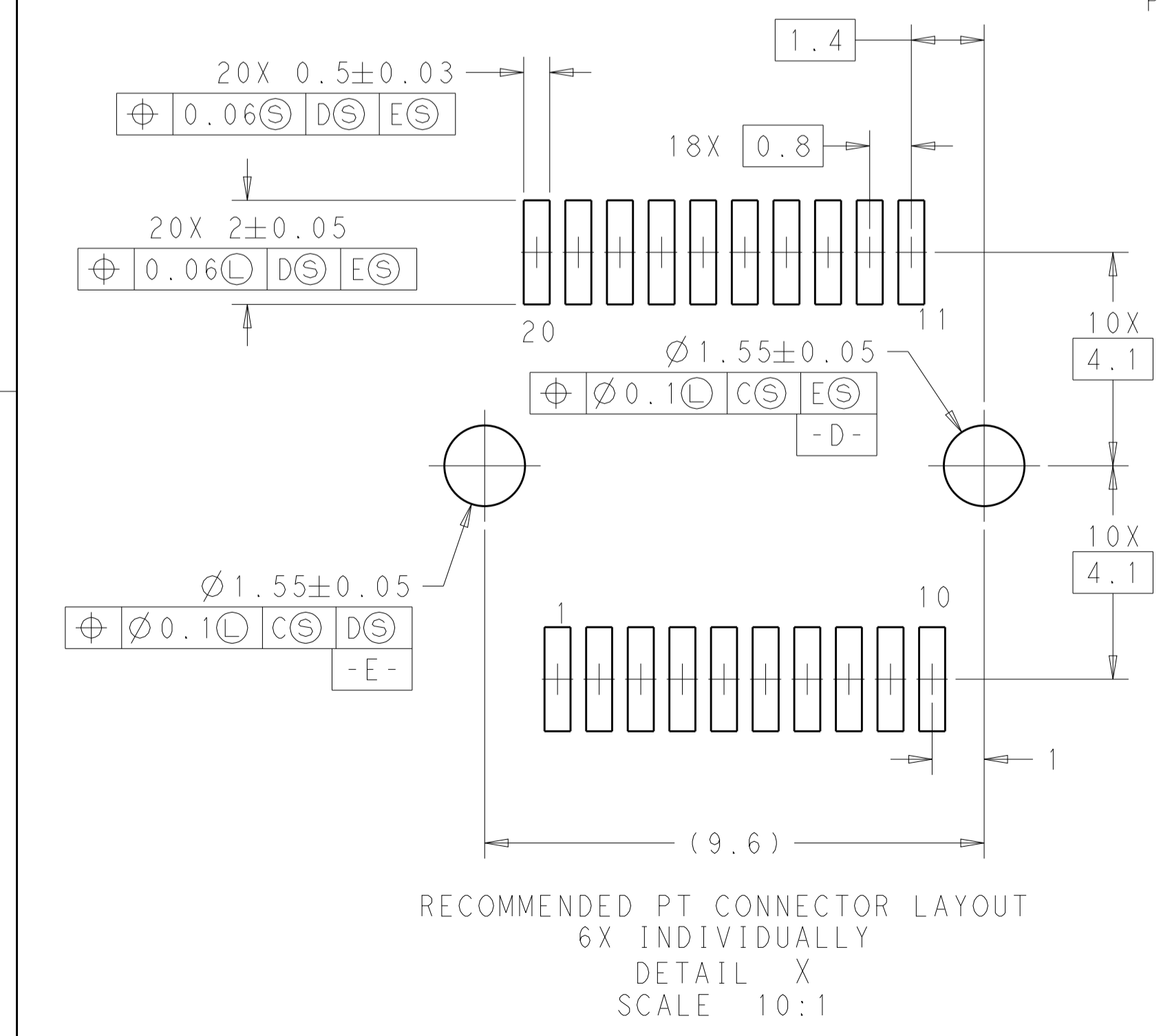
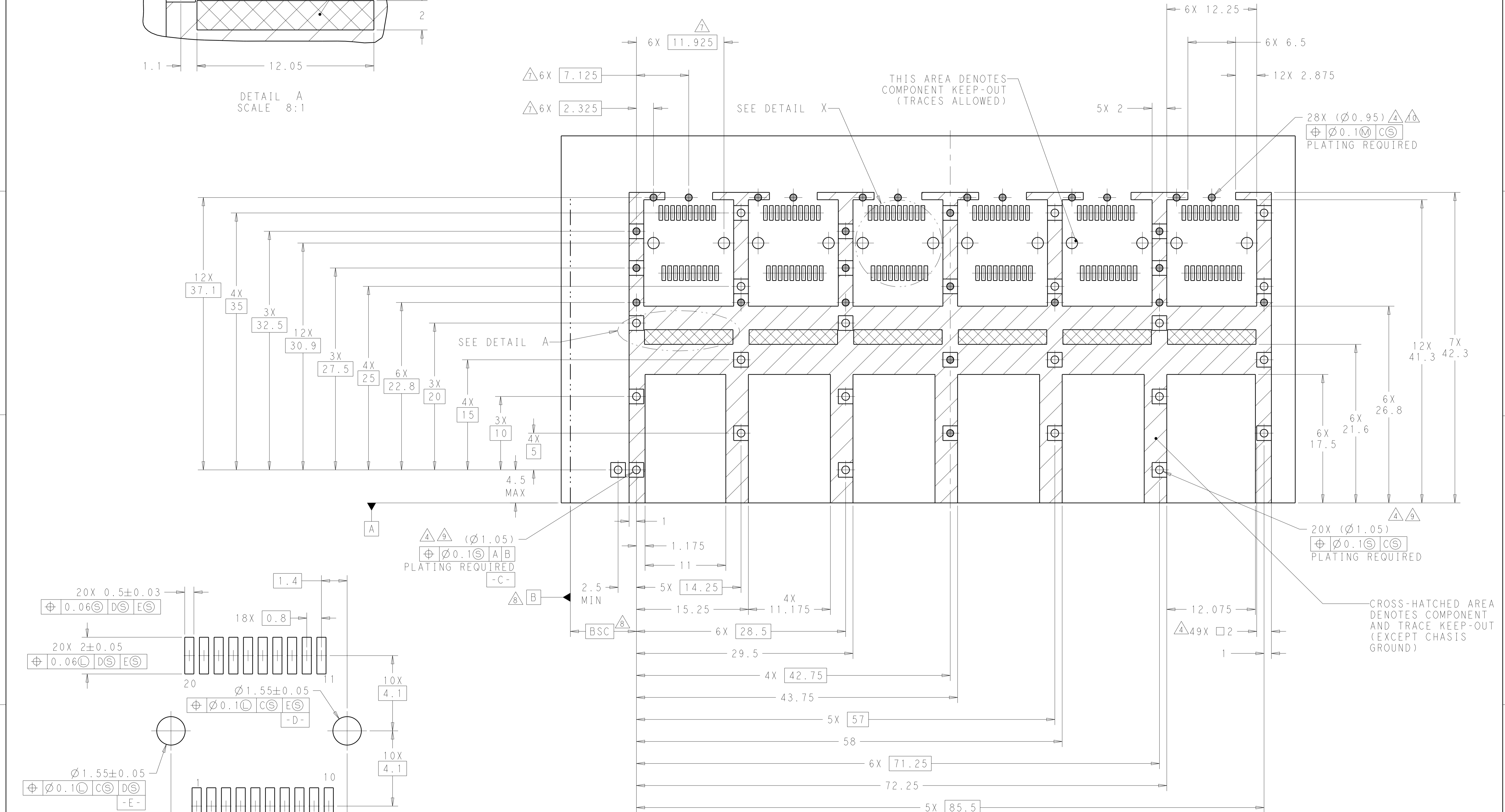
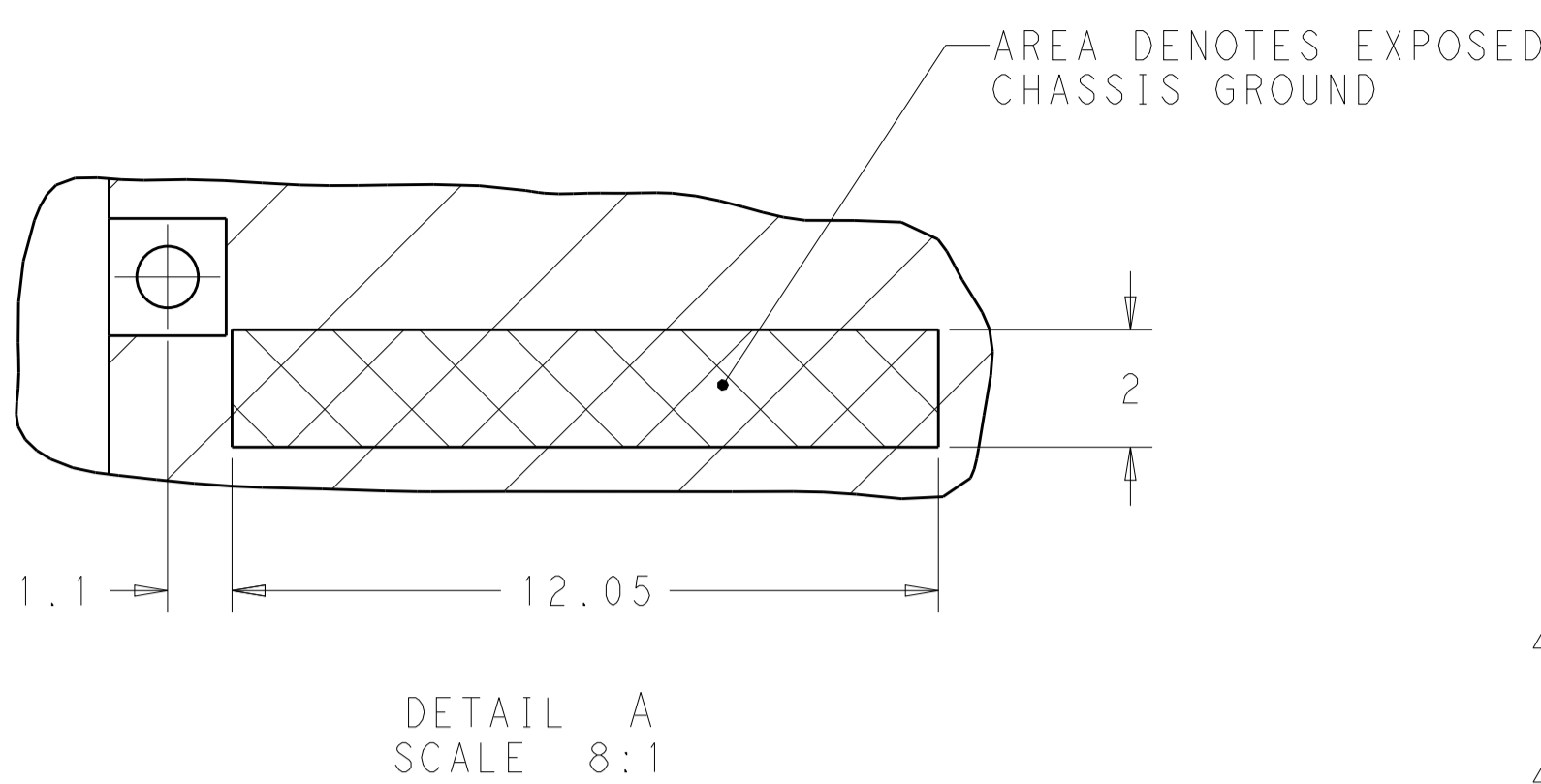
RECOMMENDED PCB CONFIGURATION
WITH KEEP-OUT AREAS
BELLY TO BELLY APPLICATIONS
SCALE 4:1

CROSS-HATCHED AREA
DENOTES COMPONENT
AND TRACE KEEP-OUT
(EXCEPT CHASSIS
GROUND)

THIS PRINT IS
PRELIMINARY
UNQUALIFIED PRODUCT
CONTACT PRODUCT ENGINEERING
BEFORE USING THIS PRINT

| | | | |
|--|--|---------------------------------|---|
| THIS DRAWING IS A CONTROLLED DOCUMENT. | | OWN: B. MATTHEWS 15NOV2011 | TE Connectivity |
| DIMENSIONS: mm | | CHK: M. SCHMITT 15NOV2011 | |
| TOLERANCES UNLESS OTHERWISE SPECIFIED: | | APVD: M. SCHMITT 15NOV2011 | NAME: SFP+ ENHANCED 1X6 CAGE ASSEMBLY, PRESS FIT, EXTERNAL EMI SPRINGS WITH HEATSINK PRODUCT SPEC: 108-2364 APPLICATION SPEC: SIZE: 114-13120 WEIGHT: Customer Drawing |
| 0 PLC ±0.1 | | RESTRICTED TO: | |
| 1 PLC ±0.1 | | A100779C=2198235 | |
| 2 PLC ±0.1 | | SCALE: 4:1 SHEET 5 OF 7 REV: B2 | |

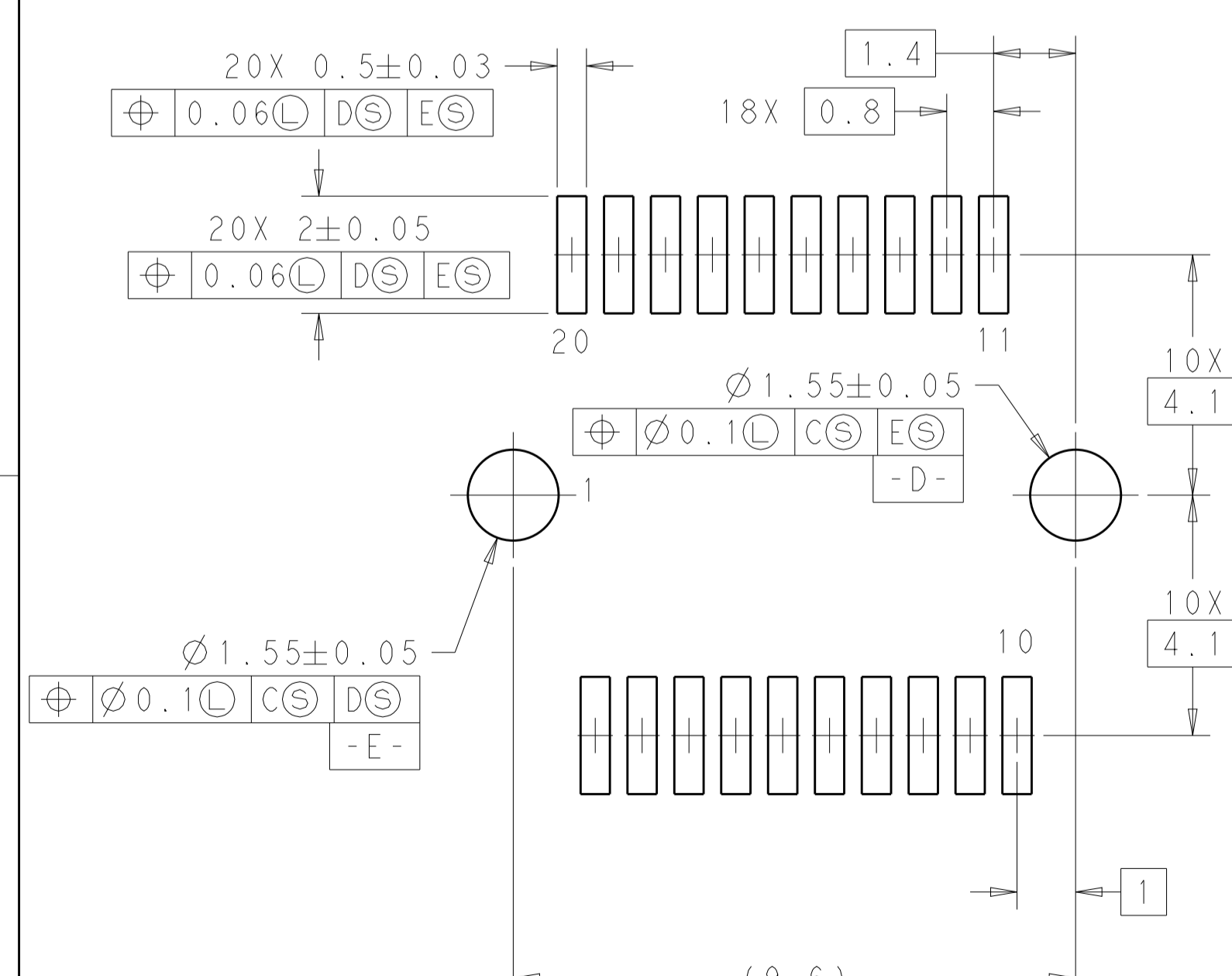
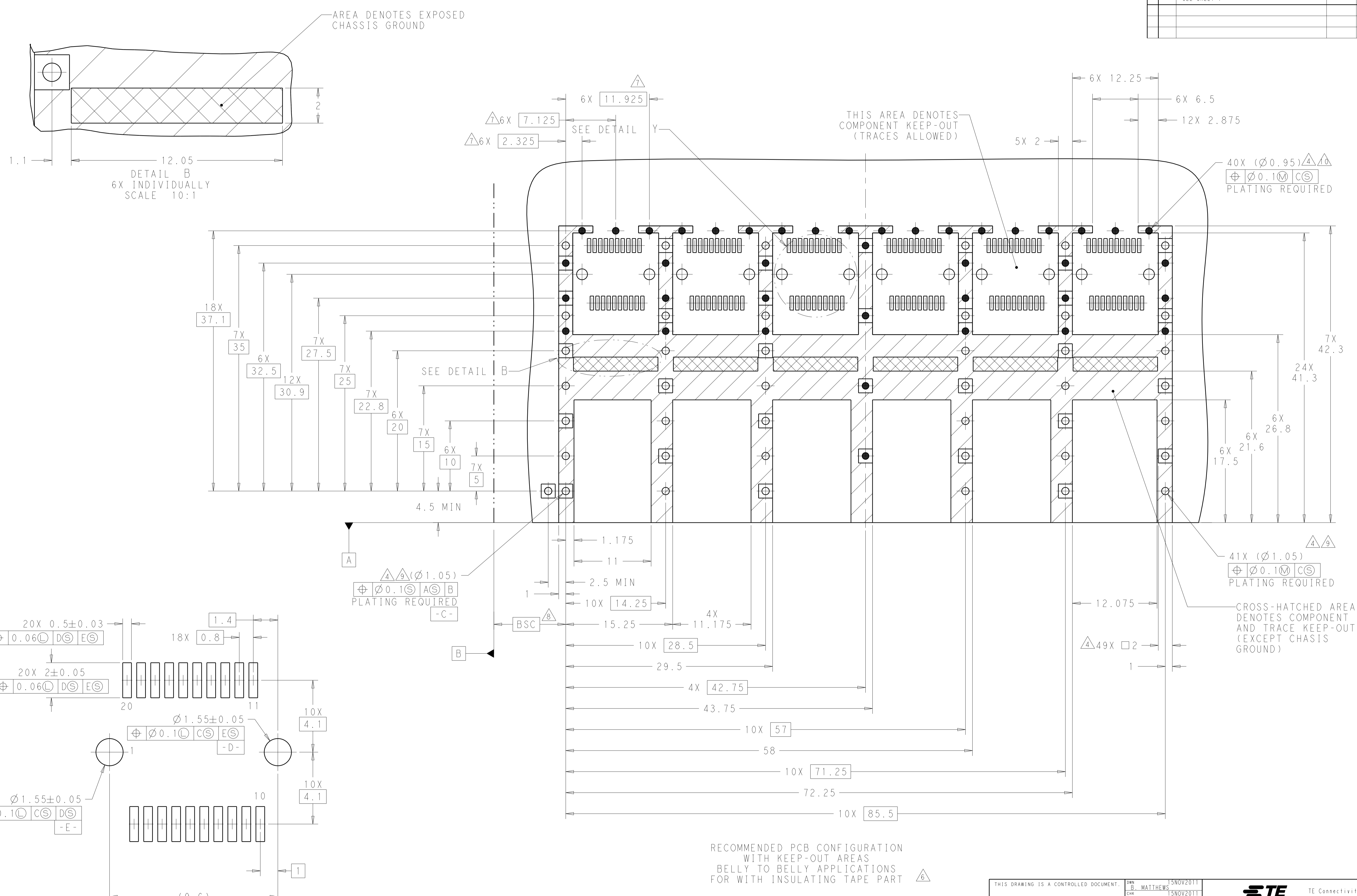
| LOC | DIST | REVISIONS | | | |
|-----|------|-----------|-------------|----|------|
| GP | 00 | REV | DATE | BY | APPV |
| | | 1 | SEE SHEET 1 | | |



RECOMMENDED PCB CONFIGURATION
WITH KEEP-OUT AREAS
SINGLE SIDED APPLICATIONS
FOR WITH INSULATING TAPE PART

| | | | |
|--|--|--|--|
| THIS DRAWING IS A CONTROLLED DOCUMENT. | | OWN: B. MATTHEWS 15NOV2011 | TE Connectivity |
| DIMENSIONS: mm | | CHK: M. SCHMITT 15NOV2011 | |
| TOLERANCES UNLESS OTHERWISE SPECIFIED: | | APVD: M. SCHMITT 15NOV2011 | NAME: SFP+ ENHANCED 1X6 CAGE ASSEMBLY, PRESS FIT, EXTERNAL EMI SPRINGS WITH HEATSINK PRODUCT SPEC: 108-2364 APPLICATION SPEC: 114-13120 WEIGHT: - Customer Drawing |
| 0 PLC ±0.1 1 PLC ±0.1 2 PLC ±0.1 3 PLC ±0.1 4 PLC ±0.1 ANGLES ±0.1° | | SIZE: A1 CAGE CODE: 2198235 SCALE: 4:1 SHEET: 6 OF 7 REV: B2 | |

| LOC | | DIST | | REVISIONS | | | |
|-----|----|------|-----|-------------|------|-----|------|
| GP | 00 | P | LTN | DESCRIPTION | DATE | OWN | APVD |
| | | - | | SEE SHEET 1 | | | |



RECOMMENDED PCB CONFIGURATION
 WITH KEEP-OUT AREAS
 BELLY TO BELLY APPLICATIONS
 FOR WITH INSULATING TAPE PART

| | | | |
|--|--|-----------------------------|--|
| THIS DRAWING IS A CONTROLLED DOCUMENT. | | OWN: B. MATTHEWS 15NOV2011 | TE Connectivity |
| DIMENSIONS: mm | | CHK: M. SCHMITT 15NOV2011 | |
| TOLERANCES UNLESS OTHERWISE SPECIFIED: | | APVD: M. SCHMITT 15NOV2011 | NAME: SFP+ ENHANCED 1X6 CAGE ASSEMBLY, PRESS FIT, EXTERNAL EMI SPRINGS WITH HEATSINK |
| 0 PLC ±0.1 | | PRODUCT SPEC: 108-2364 | SIZE: CAGE CODE DRAWING NO: A100779C=2198235 |
| 1 PLC ±0.1 | | APPLICATION SPEC: 114-13120 | RESTRICTED TO: - |
| 2 PLC ±0.1 | | WEIGHT: - | SCALE: 4:1 SHEET 7 OF 7 REV: B2 |
| 3 PLC ±0.1 | | MATERIAL: - | |
| 4 PLC ±0.1 | | FINISH: - | |
| ANGLES ±1° | | Customer Drawing | |