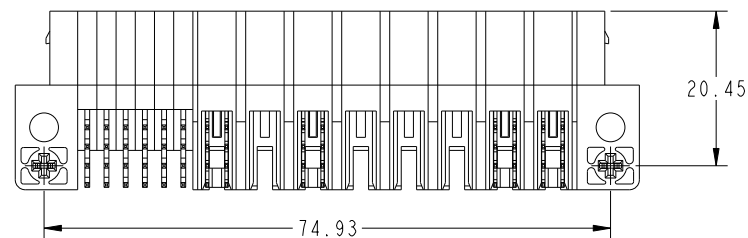
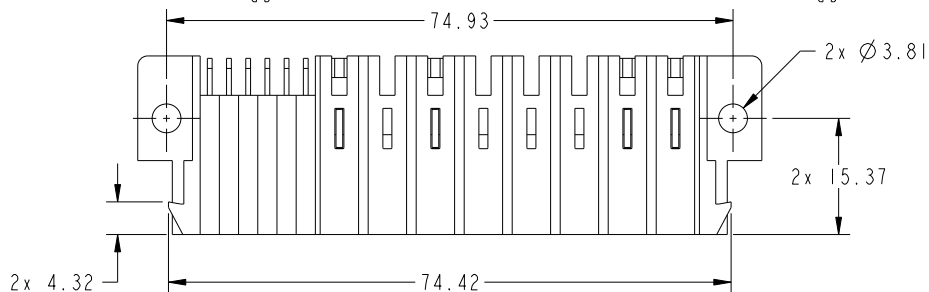
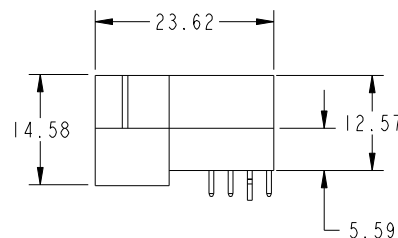
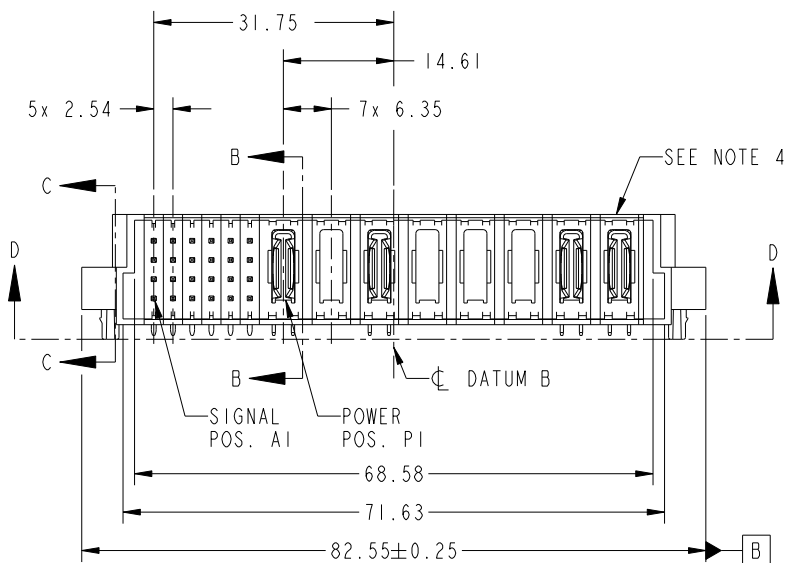


PRODUCT NO.	ROWS	SIGNAL						POWER								
		E1	1	2	3	4	5	6	P1	P2	P3	P4	P5	P6	P7	P8
51939-942-- NOTE 3	D C B A	U	U	U	U	U	U	PA	X	PA	X	X	X	PA	PA	



VIEW D-D

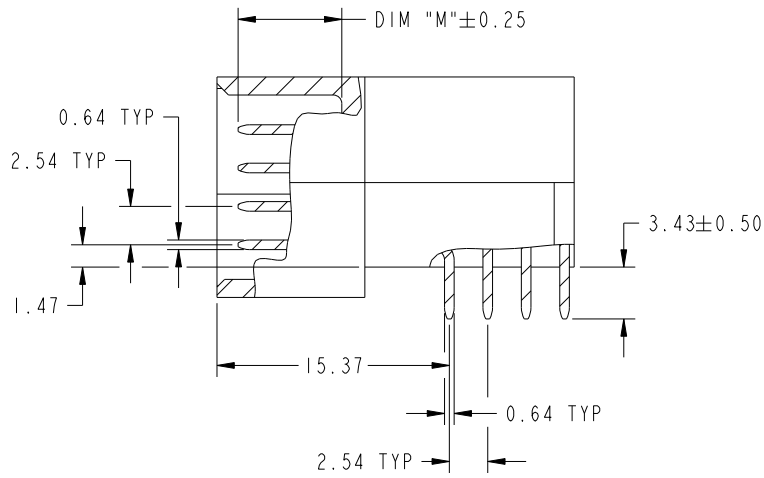


CODE	DIM "M" MATING LENGTH	CONTACT TYPE
U	[6.86]	SIGNAL
T	[6.86]	SIGNAL
S	[6.86]	SIGNAL
R	[6.86]	SIGNAL
PA	[N/A]	POWER
HA	[N/A]	HOLD-DOWN
X		OMITTED

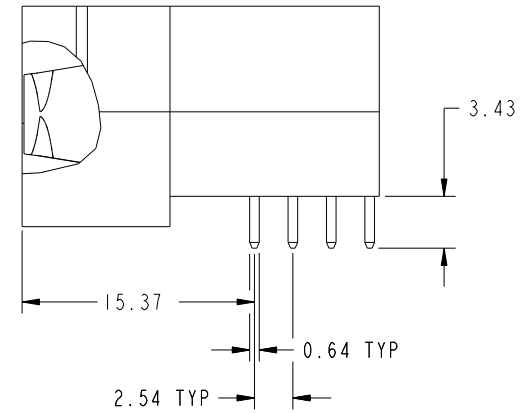
spec ref	*	dr	De-Ming Lu	2014/12/12	projection 	MM ←→	size	A4	scale	1:1							
tolerance std	ASME Y14.5	eng	De-Ming Lu	2014/12/29			ecn no	-									
TOLERANCES UNLESS OTHERWISE SPECIFIED		chr	-	-			rel level	Released									
surface	ASME Y14.5	appr	Pei-Ming Zheng	2014/12/29	product family	PwrBlade	linear	0.X	±0.5	 <b>FCI</b> www.fci.com	title	24S + 8P	RIGHT ANGLE SOLDER HEADER cat. no. -	dwg no	51939-942	rev	A
							angular	0°	±2°		Product - Customer Drw	sheet 1 of 4					

PRODUCT NUMBER

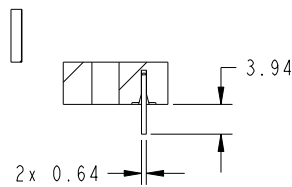
51939-942--  
NOTE: 3



BROKEN-OUT SECTION A-A  
SCALE 2:1



BROKEN-OUT SECTION B-B  
SCALE 2:1



SECTION C-C

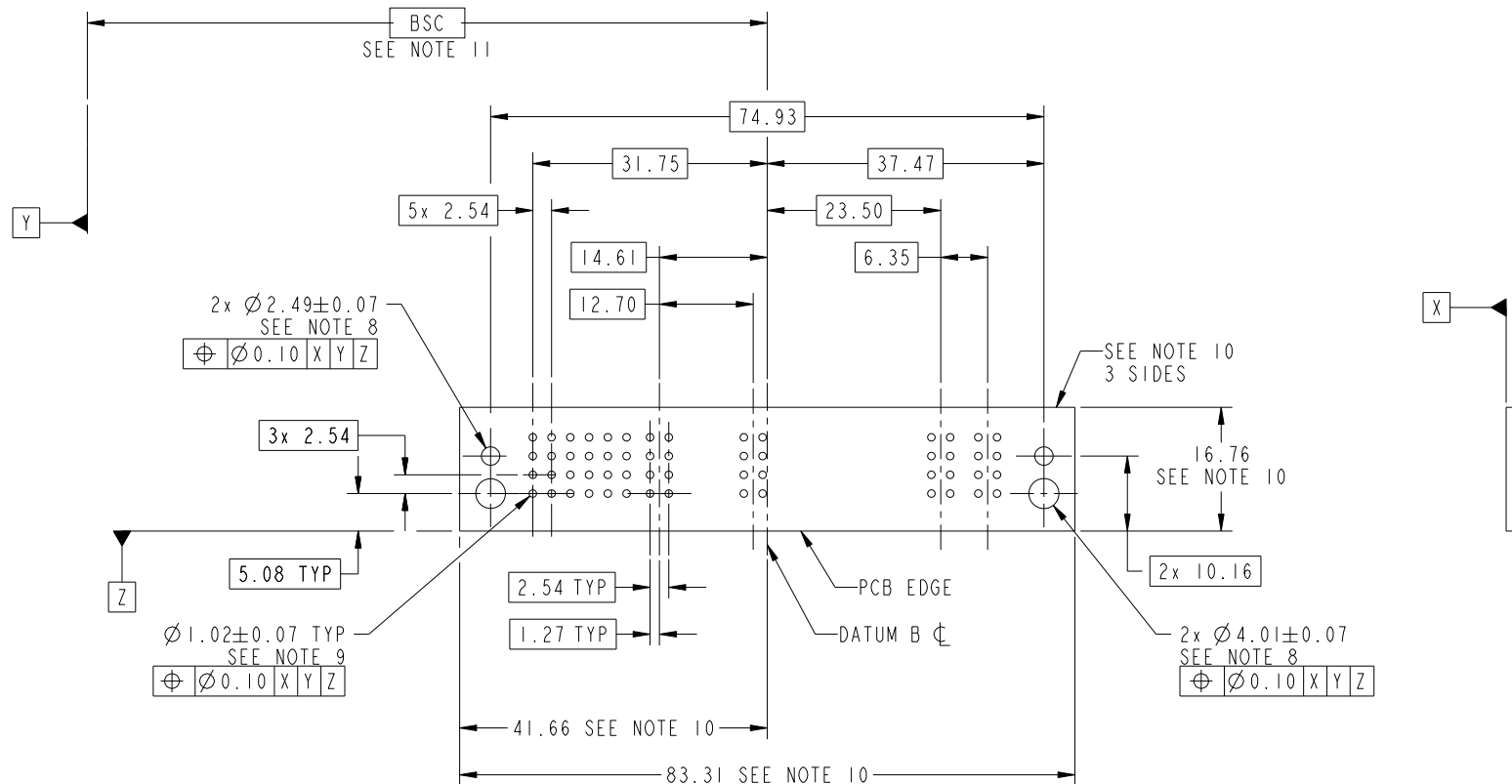
dr	De-Ming Lu	2014/12/12	projection 	MM ←————→	size	A4	scale	1:1
eng	De-Ming Lu	2014/12/29			ecn no	-		
chr	-	-			rel level	Released		
appr	Pei-Ming Zheng	2014/12/29	product family	PwrBlade	rev	A		
	title	24S + 8P RIGHT ANGLE SOLDER HEADER		dwg no	51939-942			
www.fci.com	cat. no.	-	Product - Customer Drw		sheet 2 of 4			



Copyright FCI.

PRODUCT NUMBER

51939-942--  
NOTE: 3



RECOMMENDED PCB LAYOUT

dr	De-Ming Lu	2014/12/12	projection 	MM ←→	size	A4	scale	1:1	
eng	De-Ming Lu	2014/12/29			ecn no	-			
chr	-	-			rel level	Released			
appr	Pei-Ming Zheng	2014/12/29	product family	PwrBlade					
		title	24S + 8P RIGHT ANGLE SOLDER HEADER		dwg no	51939-942		rev	A
www.fci.com	cat. no.	-	Product - Customer Drw			sheet 3 of 4			



PRODUCT NUMBER  
51939-942--  
NOTE: 3

NOTES:

1. DIMENSIONS AND TOLERANCES ARE IN ACCORDANCE WITH ASME Y14.5M, 1994 UNLESS OTHERWISE SPECIFIED.

CONNECTOR NOTES:

- 2. HOUSING MATERIAL: UL 94 V-0 GLASS FILLED HIGH-TEMP THERMOPLASTIC  
POWER CONTACT MATERIAL: COPPER ALLOY  
SIGNAL PIN MATERIAL: COPPER ALLOY
- 3. SEE ITEM 1 & 2 IN PRINT 10064183 FOR PLATING SPEC OF 51939-942 AND 51939-942LF RESPECTIVELY.
- 4. MANUFACTURER'S NAME, DATE CODE AND OPTIONAL P/N TO APPEAR ON THIS SURFACE. THE MARK CAN BE OMITTED IF THERE IS NOT ENOUGH SPACE ON THIS SURFACE.
- 5. PRODUCT SPECIFICATION GS-12-149.  
APPLICATION SPECIFICATION BUS-20-067.
- 6. PACKAGED IN TRAYS.

PCB NOTES:

- 7. ALL HOLE DIAMETERS ARE FINISHED HOLE SIZE.
- 8. MOUNTING HOLES, WHERE APPLICABLE, ARE UNPLATED.
- 9.  $\varnothing 1.151 \pm 0.025$  DRILLED HOLES PLATED WITH  
0.008 MIN SnPb OR Sn OVER 0.03  
TO 0.08 Cu PLATING TO ACHIEVE  
 $\varnothing 1.02 \pm 0.07$  HOLE.
- 10. CONNECTOR KEEP-OUT ZONE.
- 11. DATUM AND BASIC DIMENSIONS ARE ESTABLISHED BY CUSTOMER.



Copyright FCI.

dr	De-Ming Lu	2014/12/12	projection 	MM 	size	A4	scale	1:1
eng	De-Ming Lu	2014/12/29			ecn no	-		
chr	-	-			rel level	Released		
appr	Pei-Ming Zheng	2014/12/29	product family	PwrBlade	rev	51939-942	A	
		title	24S + 8P RIGHT ANGLE SOLDER HEADER		dwg no	51939-942		
www.fci.com	cat. no.	-	Product - Customer Drw			sheet 4 of 4		