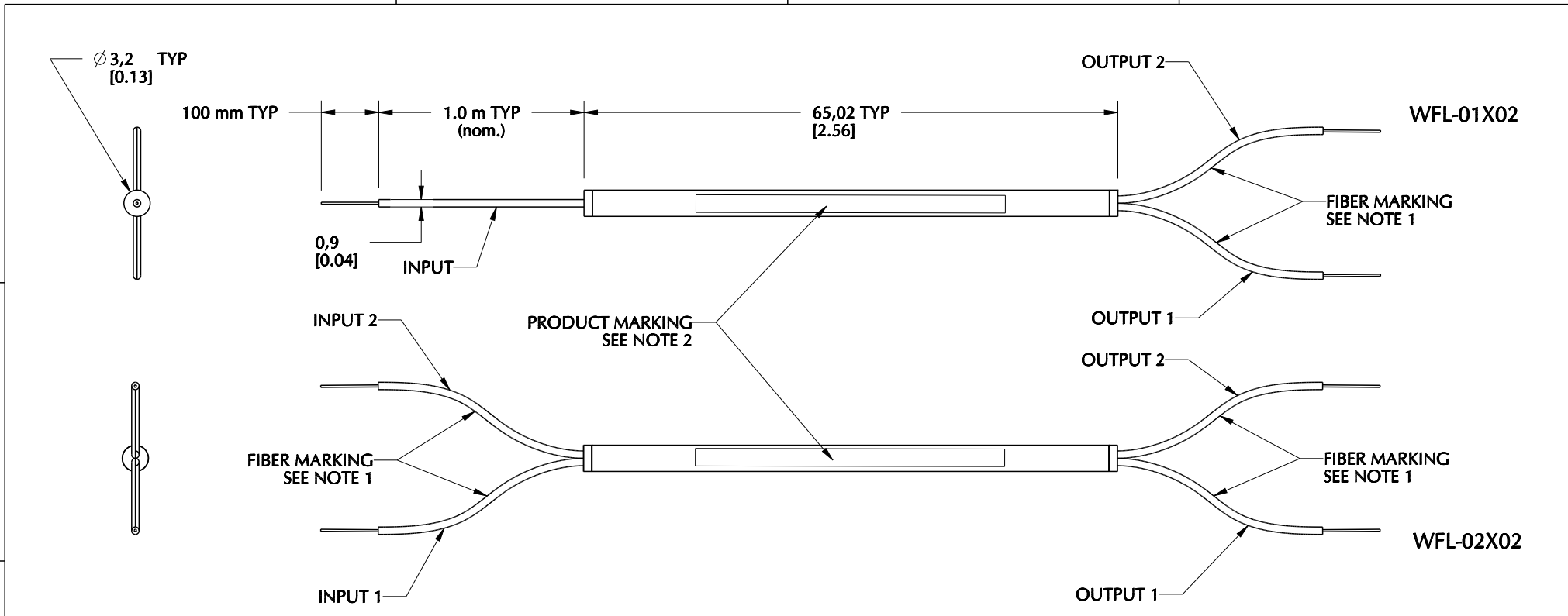




Copyright FCI.



NOTES:

- 'OUTPUT 2' & 'INPUT 2' FIBERS WILL BE MARKED IN BLACK IMMEDIATELY AFTER THE EXIT OF THE FIBER FROM THE HOUSING TUBE END FOR APPROXIMATELY 6 INCHES LONG. THERE IS NO MARKING ON 'OUTPUT 1' & 'INPUT 1' FIBERS.
- UNLESS OTHERWISE SPECIFIED, COUPLER MARKING TO BE LASER-MARKED WITH 'CANSTAR', CANSTAR PART DESCRIPTOR, AND SERIAL NUMBER.
- SEE SHEET 2 FOR PART NUMBER ORDERING INFORMATION.
- SEE SHEET 3 FOR CANSTAR PART DESCRIPTORS.
- SEE SHEET 4 & 5, TABLE A-1 & A-2, FOR OPTICAL PERFORMANCE SPECIFICATIONS.
- SEE SHEET 5, TABLE B, FOR CONNECTORIZED COUPLER SPECIFICATIONS.
- CONTACT US FOR COUPLERS WITH CUSTOMER SPECIALTY FIBERS, OR WITH CUSTOM SPECS.

STANDARD SPECIFICATION	
THERMAL STABILITY	< = 0.002dB/1° C OVER -40° C TO +85° C (NON-CONNECTORIZED)
OPTICAL FIBER	SMF-28 TM
LEAD TYPE	0.9 mm PTFE LOOSE TUBE
PACKAGING TYPE	T304 STAINLESS STEEL TUBE

spec ref	dr asir 2012/05/18			projection 	MM [INCH]	size	A4	scale	1.400			
tolerance std	TOLERANCES UNLESS OTHERWISE SPECIFIED					eng asir 2012/07/05	chr -	ecn no ELX-S-012127-1				
								appr John Wang 2012/07/05			rel level Released	
surface	linear	0.X	±0.3	FCI	title	COUPLER, MXN, SINGLEMODE WDM, 'FL' PACKAGE			dwg no	WFL-MXN01	rev	B
		0.XX	±0.05									
		0.XXX	±									
angular		0°	±2°	www.fci.com	cat. no.	Product - Customer Drw			sheet 1 of 6			

ProjE File - REV C - 2009-06-09

PART NUMBER ORDERING INFORMATION

← INPUT →
← OUTPUT → (SEE NOTE 1)

W F L X X 0 0 0 0

of Inputs
 One - '1'
 Two - '2'

of Outputs
 Two - '2'

Fiber Type
 SMF-28 TM - 'A'
 Customer Supplied - '#'
 Custom - 'Y'

Wavelengths
 980/1550 nm - 'H'
 1300/1550 nm - 'J'
 1310/1550 nm - 'K'
 1480/1550 nm - 'L'
 Not Specified - 'X'

Operating Bandwidth
 ± 20 nm - '4'
 Custom 'Z'

Polish Type
 'A' - Flat
 'B' - PC
 'C' - SPC
 'D' - UPC
 'E' - APC
 'X' - No Specification
 'Z' - Custom

Connector Type
 'A' - SMA 905
 'B' - SMA 906
 'C' - ST
 'D' - SC
 'E' - FC
 'K' - LC
 '#' - Customer Supplied
 'X' - No Connector
 'Z' - Custom

Lead Length
 '0' - NA
 '1' - .25 m
 '2' - .50 m
 '3' - .75 m
 '4' - 1.00 m
 '5' - 1.25 m
 '6' - 1.50 m
 '7' - 1.75 m
 '8' - 2.00 m
 '9' - 2.25 m
 'A' - 2.50 m
 'B' - 2.75 m
 'C' - 3.00 m
 'D' - 3.25 m
 'E' - 3.50 m
 'F' - 3.75 m
 'G' - 4.00 m
 'H' - 4.25 m
 'I' - 4.50 m
 'J' - 4.75 m
 'K' - 5.00 m
 'L' - 5.25 m
 'M' - 5.50 m
 'N' - 5.75 m
 'P' - 6.00 m
 'Q' - 6.25 m
 'R' - 6.50 m
 'S' - 6.75 m
 'T' - 7.00 m
 'U' - 7.25 m
 'V' - 7.50 m
 'W' - 7.75 m
 'X' - 8.00 m
 'Y' - 8.25 m
 'Z' - 8.50 m
 '#' - Special

NOTES:

1. ORDERING OPTIONS FOR OUTPUTS ARE IDENTICAL TO INPUTS.
2. NOMINAL LEAD LENGTH: 0.55 m
3. SEE SHEET 5, TABLE B, FOR CONNECTOR SPECIFICATIONS.

spec ref		dr	asir	2012/05/18	projection 	MM [INCH] 	size	A4	scale	N/A	
tolerance std		eng	asir	2012/07/05			ecn no	ELX-S-012127-1			
TOLERANCES UNLESS OTHERWISE SPECIFIED		chr	-	-			rel level	Released			
surface		linear	0.X	±0.3		title COUPLER, MXN, SINGLEMODE WDM, 'FL' PACKAGE	dwg no WFL-MXN01	rev B	Product - Customer Drw sheet 2 of 6		
			0.XX	±0.05							
			0.XXX	±							
		angular	0°	±2°	www.fci.com	cat. no.					



Copyright FCI.

CANSTAR PART DESCRIPTOR

WFL - X - / 155 - XX

of Inputs
One - '01'
Two - '02'

of Outputs
Two - '02'

Primary Wavelength
980 - '098'
1300 - '130'
1310 - '131'
1480 - '148'



Copyright FCI.

spec ref		dr asir 2012/05/18		projection 	MM [INCH]	size A4	scale N/A
tolerance std	TOLERANCES UNLESS OTHERWISE SPECIFIED					ecn no ELX-S-012127-1	
						rel level Released	
surface <input checked="" type="checkbox"/>	linear	0.X ±0.3	FCI	title COUPLER, MXN, SINGLEMODE WDM, 'FL' PACKAGE		dwg no WFL-MXN01	rev B
		0.XX ±0.05					
		0.XXX ±					
	angular	0° ±2°	www.fci.com	cat. no.	Product - Customer Drw		sheet 3 of 6

ProjE File - REV C - 2009-06-09

A

B

C

D

A

B

C

D

TABLE A-1							
PART DESCRIPTOR	WAVELENGTH (nm) ¹		MAXIMUM EXCESS LOSS (dB)	MAXIMUM INSERTION LOSS (dB)	ISOLATION (dB)	DIRECTIVITY (dB @ 1550 nm)	MAXIMUM PDIL (dB pp @ 1550 nm)
	OUTPUT 2	OUTPUT 1					
WFL-01X02-098/155-XX	980 ± 20	1550 ± 20	0.3	0.3	> = 20	> = 50	0.1
WFL-01X02-130/155-XX	1300 ± 20	1550 ± 20	0.5	0.5	> = 15	> = 60	0.2
WFL-01X02-131/155-XX	1310 ± 20	1550 ± 20	0.5	0.5	> = 15	> = 60	0.2
WFL-01X02-148/155-XX	1480 ± 10	1550 ± 10	1.0	1.0	> = 10	> = 50	0.4

NOTE:

1. WHEN 1550 nm SIGNAL LAUNCHED TO INPUT 1



Copyright FCI.

spec ref		dr asir 2012/05/18		projection		size A4		scale N/A		
tolerance std		eng asir 2012/07/05						ecn no ELX-S-012127-1		
TOLERANCES UNLESS OTHERWISE SPECIFIED		chr -						rel level Released		
appr John Wang 2012/07/05		product family		product family		rel level		Released		
surface ✓		linear				title COUPLER, MXN, SINGLEMODE WDM, 'FL' PACKAGE		dwg no WFL-MXN01		rev B
		0.X ±0.3 0.XX ±0.05 0.XXX ±		www.fci.com		cat. no.		Product - Customer Drw		sheet 4 of 6
angular		0° ±2°								

TABLE A-1							
PART DESCRIPTOR	WAVELENGTH (nm) ¹		MAXIMUM EXCESS LOSS (dB)	MAXIMUM INSERTION LOSS (dB)	ISOLATION (dB)	DIRECTIVITY (dB @ 1550 nm)	MAXIMUM PDIL (dB pp @ 1550 nm)
	OUTPUT 2	OUTPUT 1					
WFL-02X02-098/155-XX	980 ± 20	1550 ± 20	0.3	0.3	> = 20	> = 50	0.1
WFL-02X02-130/155-XX	1300 ± 20	1550 ± 20	0.5	0.5	> = 15	> = 60	0.2
WFL-02X02-131/155-XX	1310 ± 20	1550 ± 20	0.5	0.5	> = 15	> = 60	0.2
WFL-02X02-148/155-XX	1480 ± 10	1550 ± 10	1.0	1.0	> = 10	> = 50	0.4

NOTE:

1. WHEN 1550 nm SIGNAL LAUNCHED TO INPUT 1

spec ref		dr	asir	2012/05/18	projection 	MM [INCH]	size	A4	scale	N/A		
tolerance std	TOLERANCES UNLESS OTHERWISE SPECIFIED	eng	asir	2012/07/05			ecn no	ELX-S-012127-1				
		chr	-	-				rel level	Released			
surface		linear	0.X	±0.3	FCj	title	COUPLER, MXN, SINGLEMODE WDM, 'FL' PACKAGE		dwg no	WFL-MXN01		rev
	angular	0°	±2°	www.fci.com								cat. no.

A

B

C

D

A

B

C

D

TABLE B			
CONNECTOR TYPE	POLISH TYPE	INSERTION LOSS / CONNECTOR (dB)	BACK REFLECTION (dB)
ST	PC	< = 0.35	> 40
	SPC	< = 0.35	> 45
	UPC	< = 0.35	> 50
	APC	Not Specified	Not Specified
FC	PC	< = 0.35	> 40
	SPC	< = 0.35	> 45
	UPC	< = 0.35	> 50
	APC	< = 0.5	> 60
SC	PC	< = 0.35	> 40
	SPC	< = 0.35	> 45
	UPC	< = 0.35	> 50
	APC	< = 0.5	> 60
LC	PC	< = 0.35	> 40
	SPC	< = 0.35	> 45
	UPC	< = 0.35	> 50
	APC	< = 0.5	> 60

NOTES:

- 1. PLEASE REFER TO COUPLER SPECIFICATION FOR INSERTION LOSS VALUES, AND ADD CONNECTOR INSERTION LOSS FROM TABLE.
- 2. LEAD LENGTH TOLERANCE: +10cm / -0cm OF NOMINAL LENGTH.
- 3. TEMPERATURE RANGE: -20° C TO +70° C



Copyright FCI.

spec ref		dr asir 2012/05/18		projection 	MM [INCH]	size A4	scale N/A
tolerance std	TOLERANCES UNLESS OTHERWISE SPECIFIED					ecn no ELX-S-012127-1	
						rel level Released	
surface ✓		linear	0.X ±0.3 0.XX ±0.05 0.XXX ±	product family		dwg no WFL-MXN01	rev B
		angular	0° ±2°	www.fci.com cat. no.			Product - Customer Drw