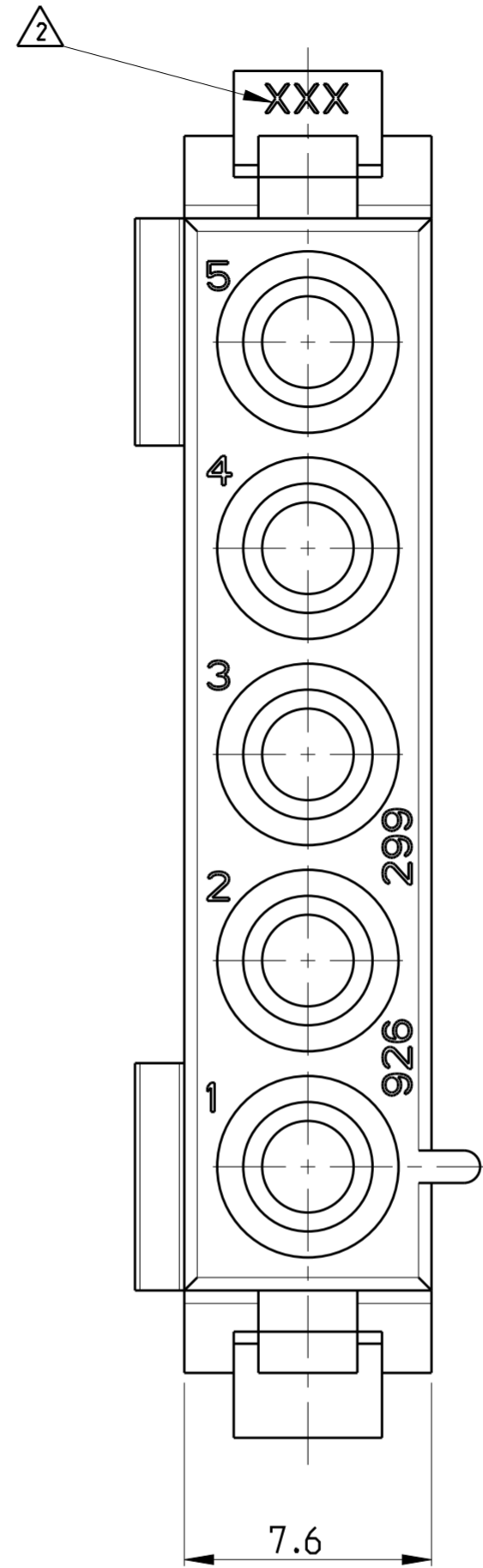
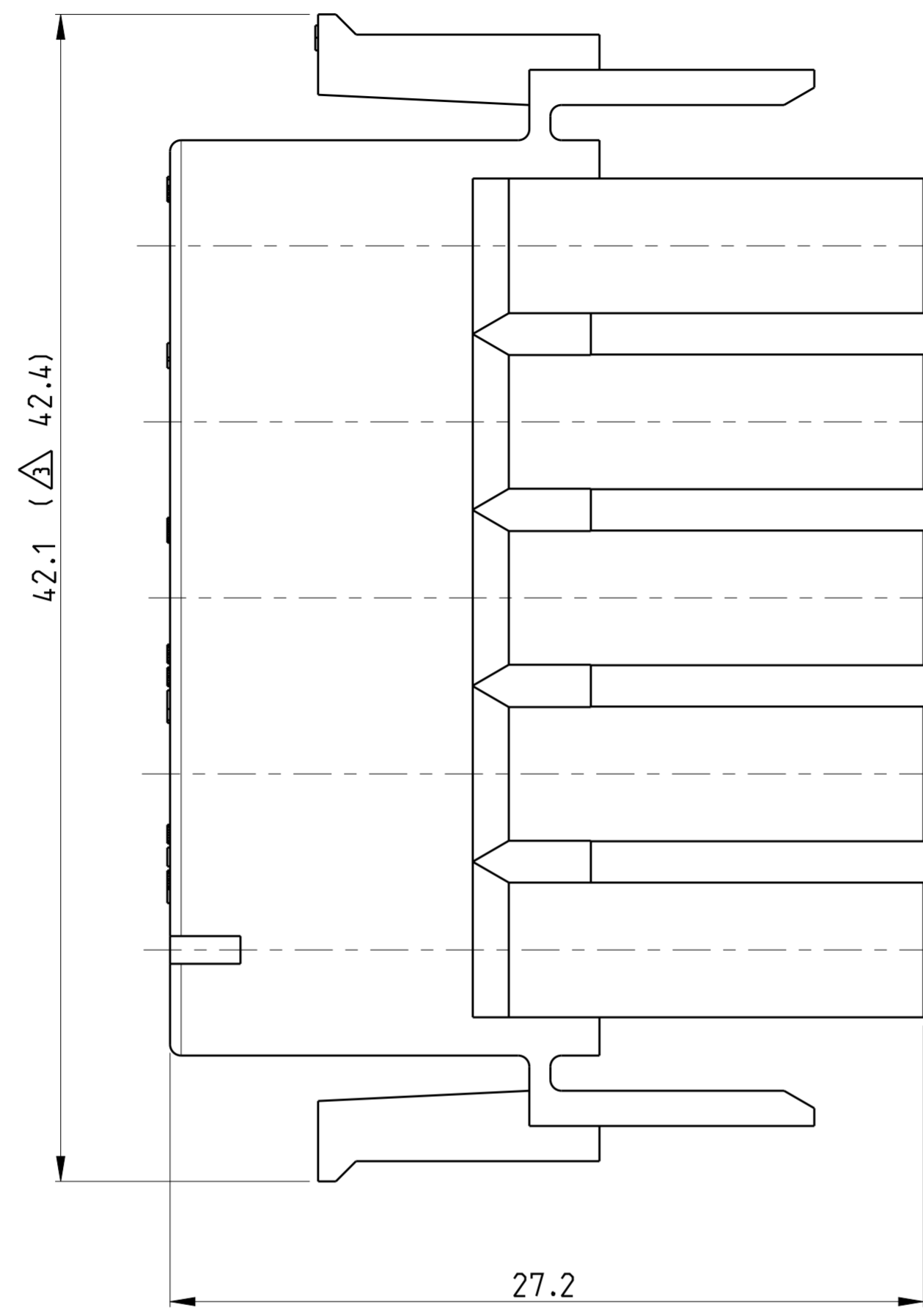
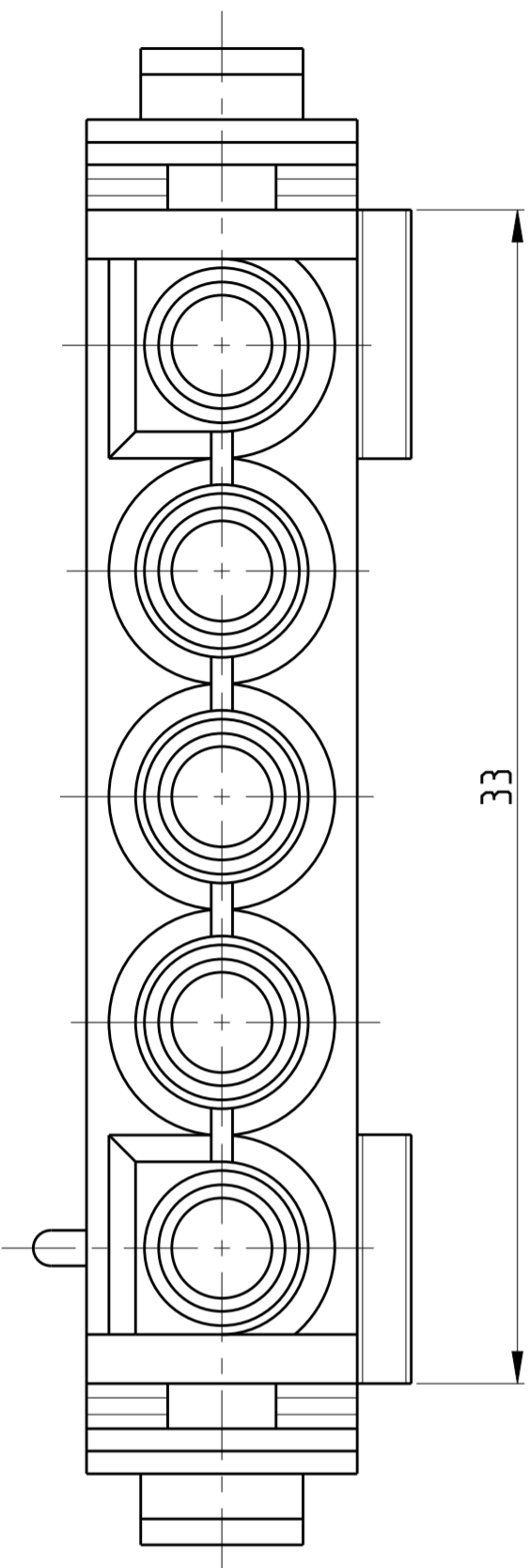


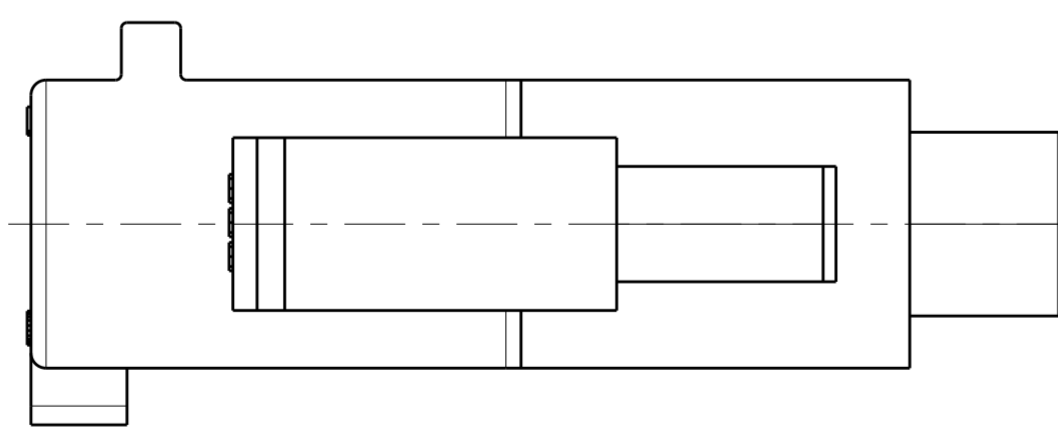
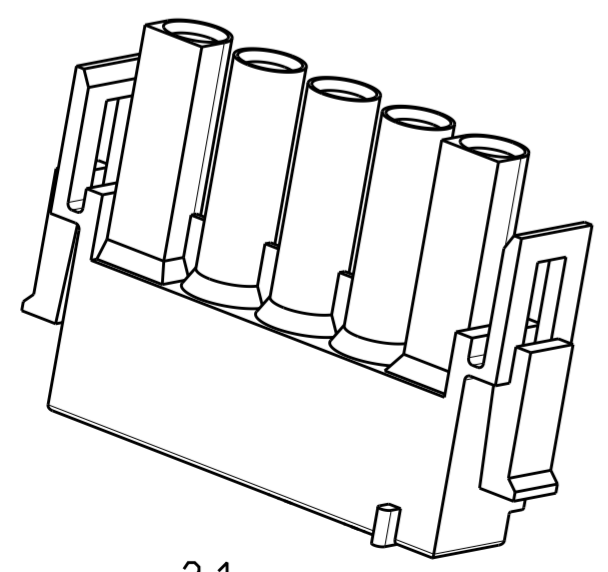
THIS DRAWING IS UNPUBLISHED. RELEASED FOR PUBLICATION 2003
 © COPYRIGHT 2003 ALL RIGHTS RESERVED.

LOC	DIST	REVISIONS			
P	LTR	DESCRIPTION	DATE	DWN	APVD
A1	-	J	REVISED PER ECR-16-012254	01SEP2016	BW EW



Bemerkungen
NOTES

- ① Neues Material (Phosphor und Halogen frei)
NEW MATERIAL (PHOSPHORUS AND HALOGENEUS FREE)
- ② Hersteller-Logo und Ländercode
nach AMP-Spez. 115-18016
BRANDNAME AND MANUFACTURING LOCATION CODE
ACCORDING SPEC. 115-18016
- ③ Gl ühdrahtprüfung 750 °C (ohne Flamme)
Maß 42.4 nur für Var. ...-5
GW T 750 °C (WITHOUT FLAME)
DIM 42.4 ONLY FOR VAR. ...-5
- ④ Farbe der Gehäuse kann anhand klar, grün oder gelb
wegen hygroskopischen Natur resin.However es hat keinen
Einfluss auf die Form, Passform und Funktion der Produktpalette.
COLOR OF HOUSINGS MAY RANGE FROM CLEAR TO GREEN OR YELLOW DUE
TO HYGROSCOPIC NATURE OF RESIN. HOWEVER IT DOESN'T AFFECT THE FORM,
FIT AND FUNCTION OF THE PRODUCT.



926299-5	PA6 UL94 V-2	③	natur NATURAL
926299-4	PA6.6 UL94 V-0		weiß WHITE
926299-3	PA6.6 UL94 V-0	①	natur NATURAL
926299-2	PA6.6 UL94 V-0		schwarz BLACK
926299-1	PA 66 UL94 V-2	④	natur NATURAL
PART NO.	MATERIAL		COLOR

THIS DRAWING IS A CONTROLLED DOCUMENT. DWN Abraham.G. 22MAY03
 CHK Kampmann.H. 23MAY03

STE TE Connectivity

5-pol. Steckergewüse
5 WAY PLUG

DIMENSIONS: mm	TOLERANCES UNLESS OTHERWISE SPECIFIED:	APVD	NAME
0 PLC ±	1 PLC ± 0.2	PRODUCT SPEC	108-1031
2 PLC ±	3 PLC ±	APPLICATION SPEC	114-18011
4 PLC ±	ANGLES ±°	WEIGHT	3.1 g
MATERIAL FINISH	SEE TABLE	CUSTOMER DRAWING	SCALE 5:1 SHEET 1 OF 1 REV J