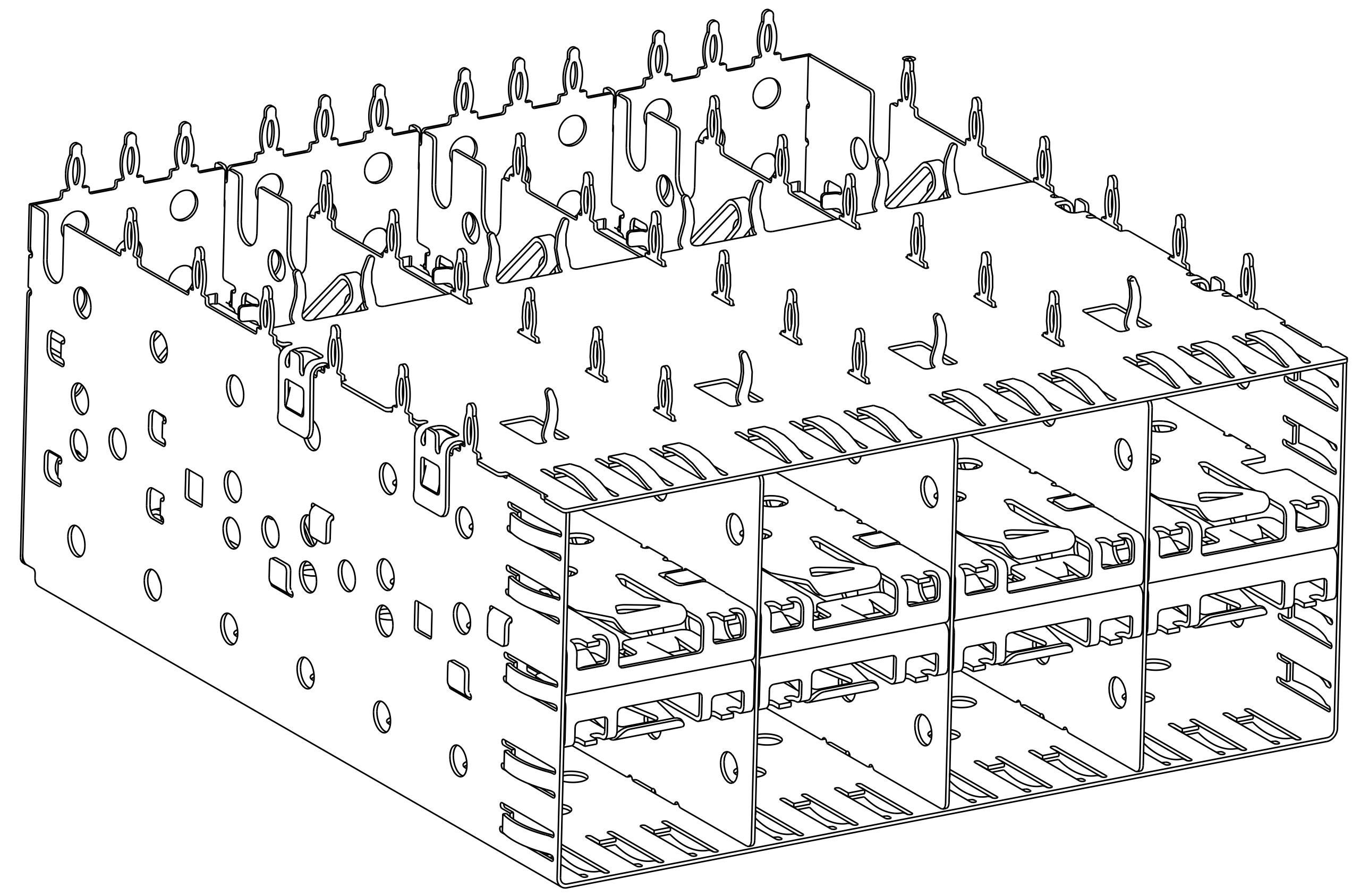
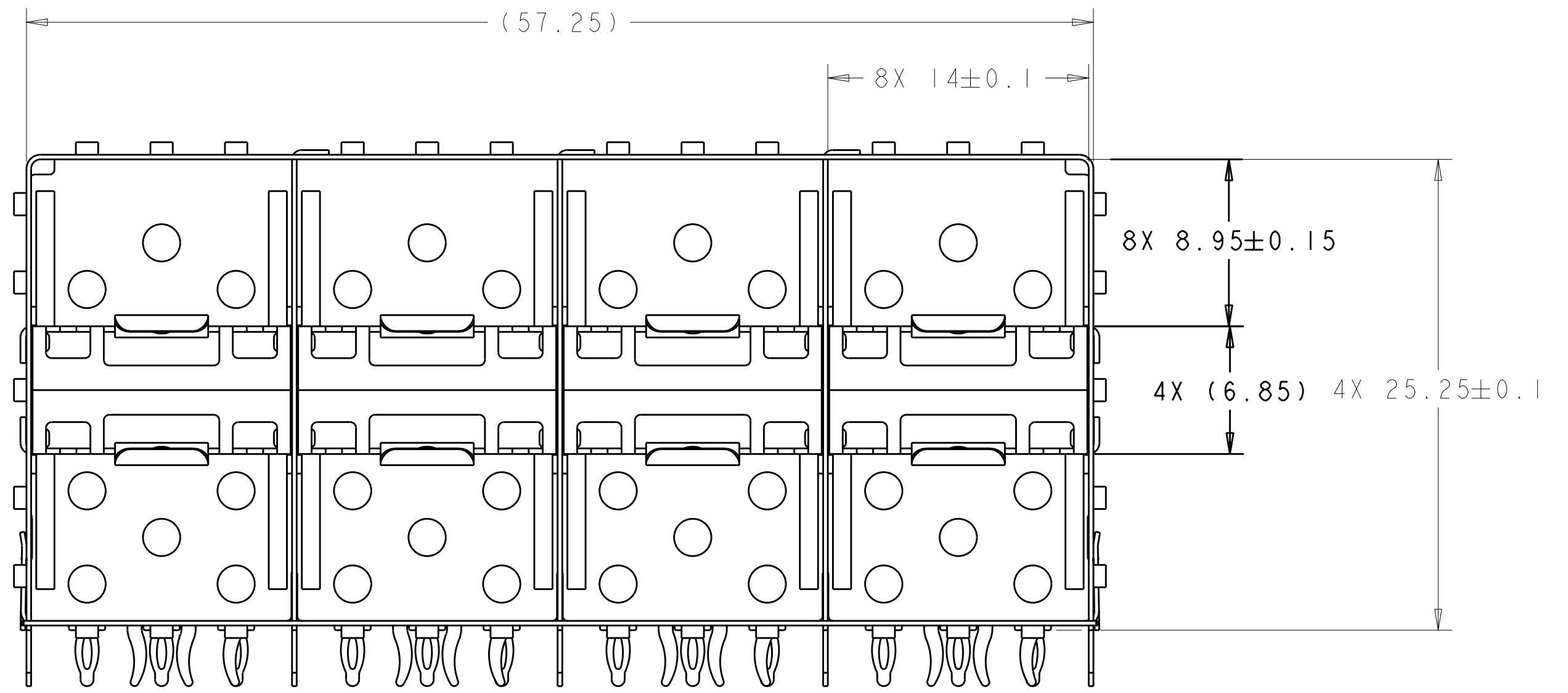
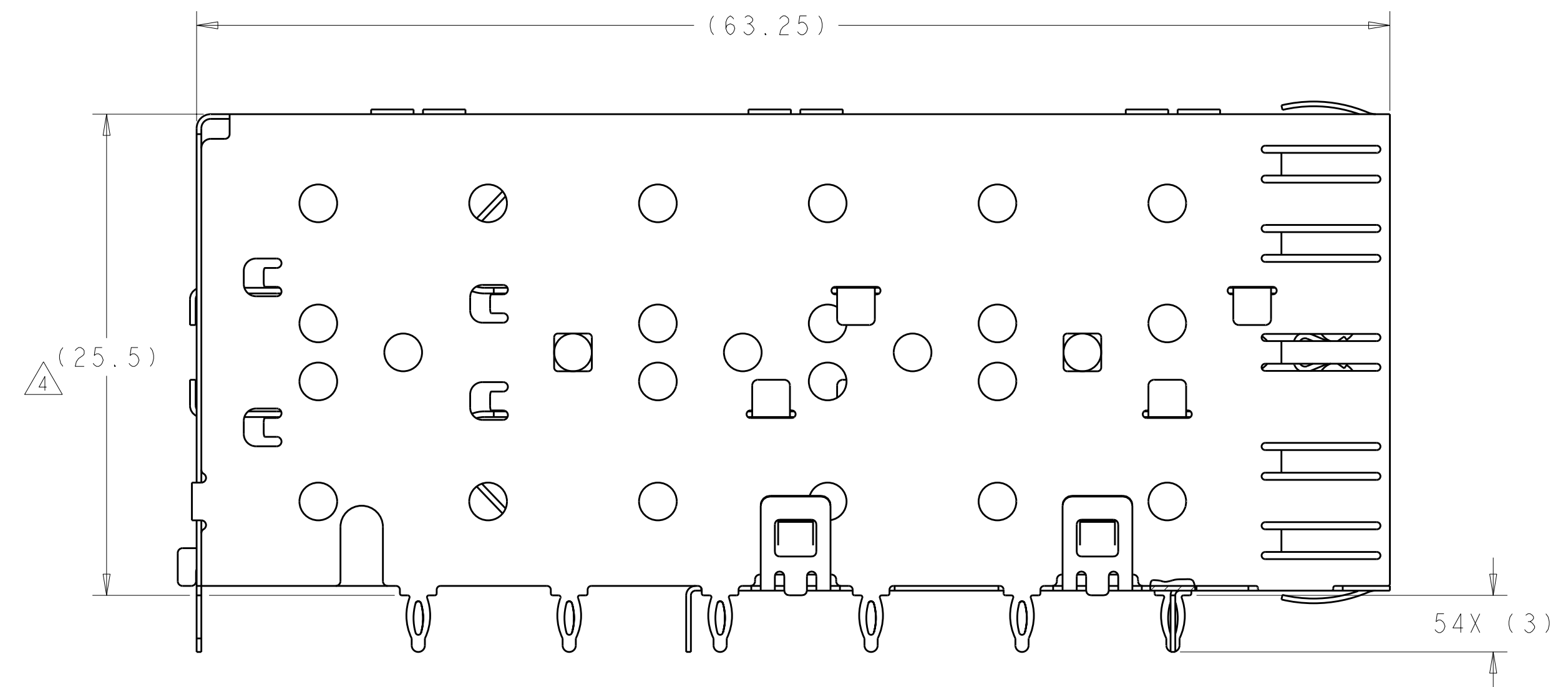


LOC	DIST	REVISIONS					
GP	00	P	LTN	DESCRIPTION	DATE	DWN	APVD
		A		RELEASED PER EC 0S13-0001-04	23JAN04	JG	JK
		B		REVISED PER EC 0S13-0083-04	20FEB04	JAR	JG
		C		REVISED PER ECR-08-005404	29FEB08	ML	SY



1658224-1

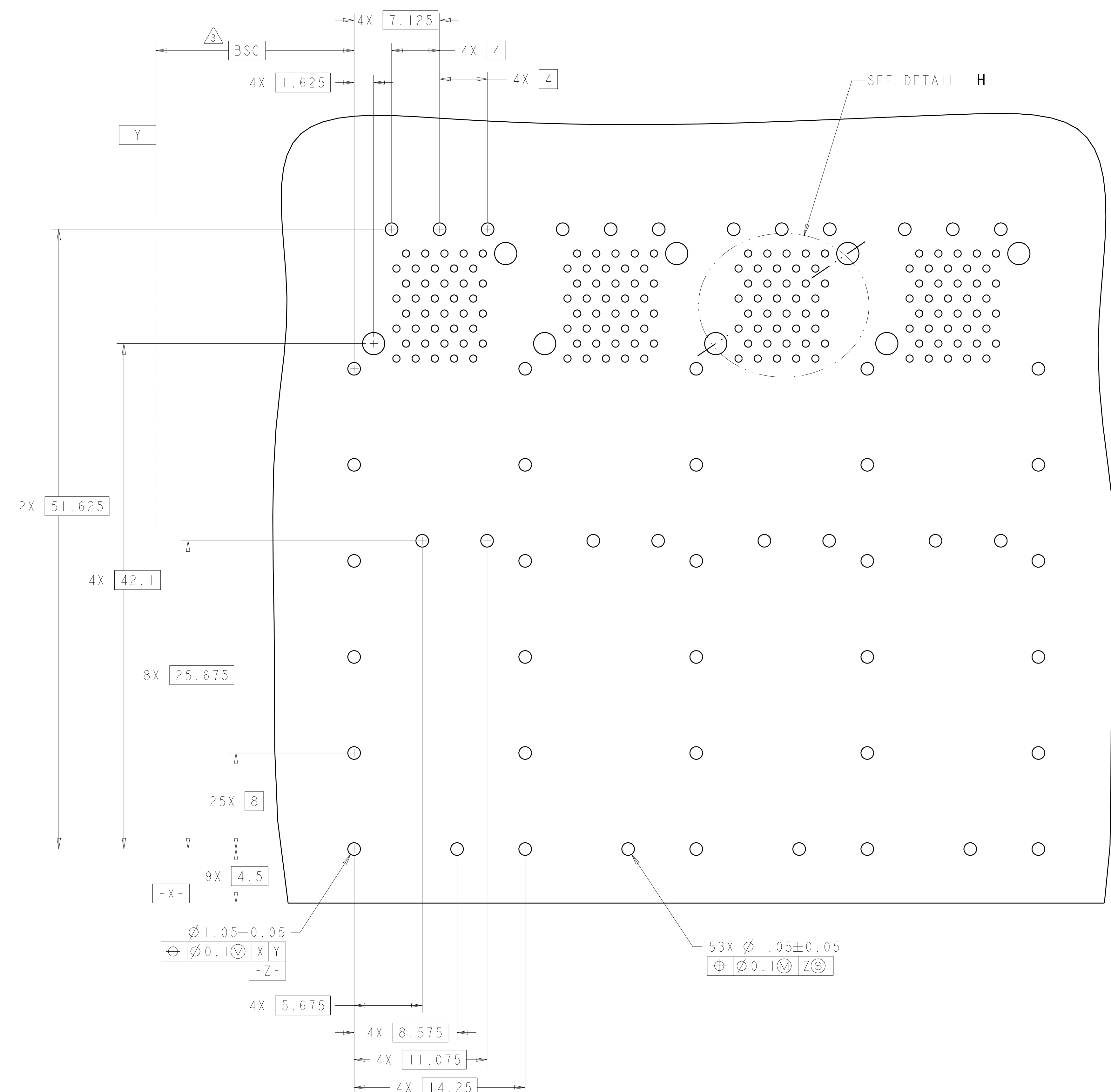
1. COPPER ALLOY
  2. TIN PLATING PER ASTM B 545, 1.25µm MINIMUM THICKNESS, ALL OVER  
 NICKEL FLASH PER QQ-N-290, NON-PLATED EDGES ARE PERMISSIBLE
- △ 3 DATUM AND BASIC DIMENSION TO BE DETERMINED BY CUSTOMER
- △ 4 INTERPRETATION OF DATUM REFERENCE FRAME IN ACCORDANCE WITH SECT 4.4.1.1 OF ASME Y14.5M-1994



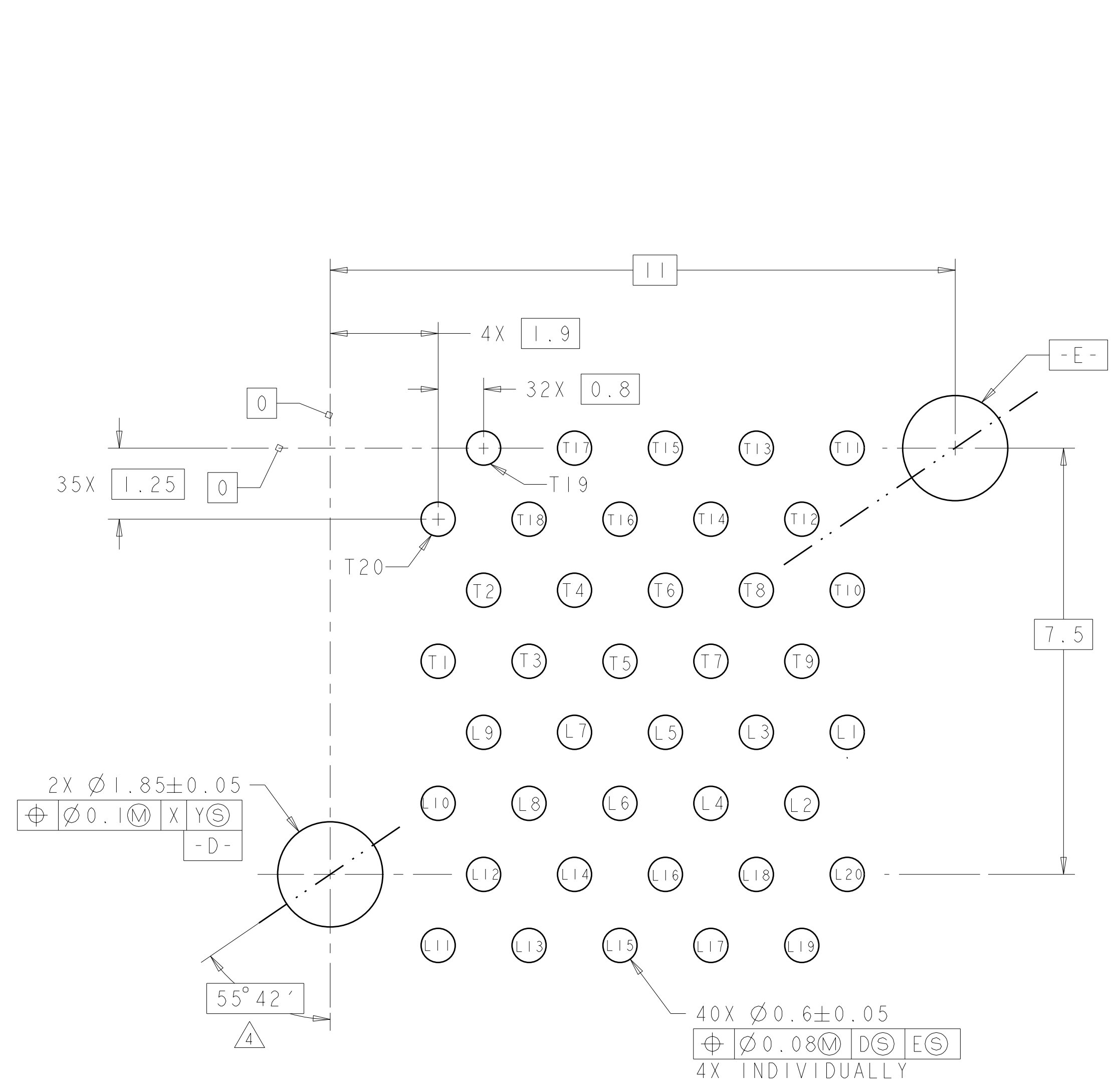
1658224-1  
 PART NUMBER

<small>THIS DRAWING IS UNPUBLISHED. RELEASED FOR PUBLICATION BY TYCO ELECTRONICS CORPORATION. ALL RIGHTS RESERVED.</small> <small>THIS IS SUBJECT TO CHANGE WITHOUT NOTICE AND WITHOUT OBLIGATION. TYCO ELECTRONICS CORPORATION SHALL BE CONTACTED FOR THE LATEST REVISION.</small>		DWN: M. COWHER 17JAN03 CHK: J. KOPPENHEFFER 23JAN04 APVD: M. WALMSLEY 23JAN04	Tyco Electronics Harrisburg, PA 17105-3608
DIMENSIONS: mm TOLERANCES UNLESS OTHERWISE SPECIFIED: 0 PLC ± 1 PLC ±0.1 2 PLC ± 3 PLC ± 4 PLC ± ANGLES ± FINISH ±		NAME: CAGE ASSEMBLY, 2x4, PRESS FIT, STANDARD PROFILE, SFP PRODUCT SPEC: 108-2161 APPLICATION SPEC: 114-13103 WEIGHT: - CUSTOMER DRAWING	SIZE: A1 CAGE CODE: 00779 DRAWING NO: C=1658224 SCALE: 4:1 SHEET: 1 OF 2 REV: C

LOC	DIST	REVISIONS			
GP	00	REV	DATE	BY	APPD
		1	SEE SHEET 1		



SFP HOST BOARD  
 MECHANICAL LAYOUT  
 SCALE 5:1



DETAIL H  
 SCALE 15:1

DIMENSIONS: mm 		TOLERANCES UNLESS OTHERWISE SPECIFIED: 9 PLC ± 5 PLC ±0.1 4 PLC ± ANGLES ±		DWN M. COWHER 17JAN03 CHK J. KOPPENHEFFER 23JAN04 APVD M. WALMSLEY 23JAN04 NAME CAGE ASSEMBLY, 2x4, PRESS FIT, STANDARD PROFILE, SFP PRODUCT SPEC 108-2161 APPLICATION SPEC 114-13103 WEIGHT CUSTOMER DRAWING		Tyco Electronics Harrisburg, PA 17105-3608 SIZE CAGE CODE DRAWING NO RESTRICTED TO A11 00779 C=1658224 SCALE 4:1 SHEET 2 OF 2 REV C	
-----------------------	--	----------------------------------------------------------------------------------------	--	------------------------------------------------------------------------------------------------------------------------------------------------------------------------------------------------------------------------------------	--	-------------------------------------------------------------------------------------------------------------------------------------------------	--