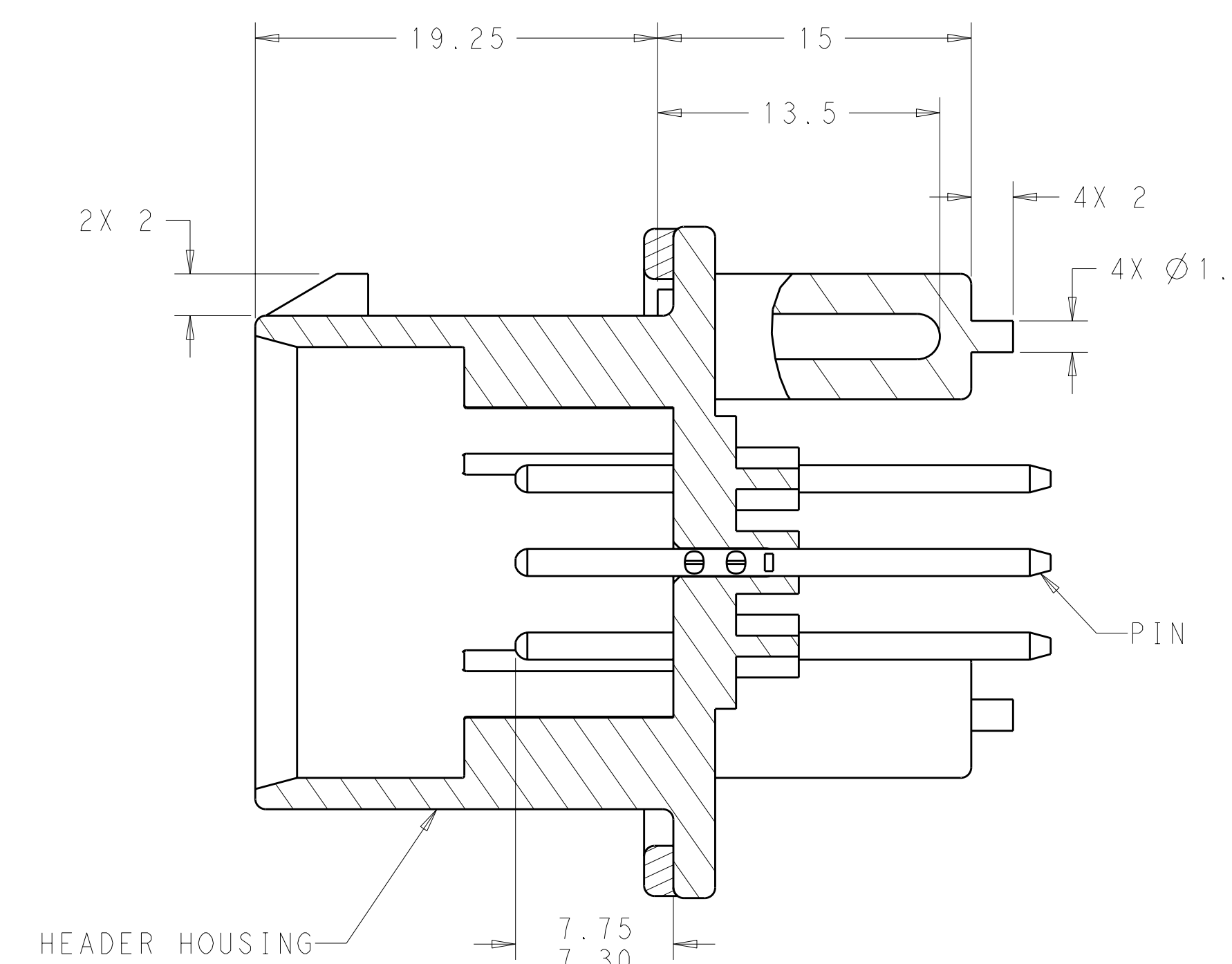
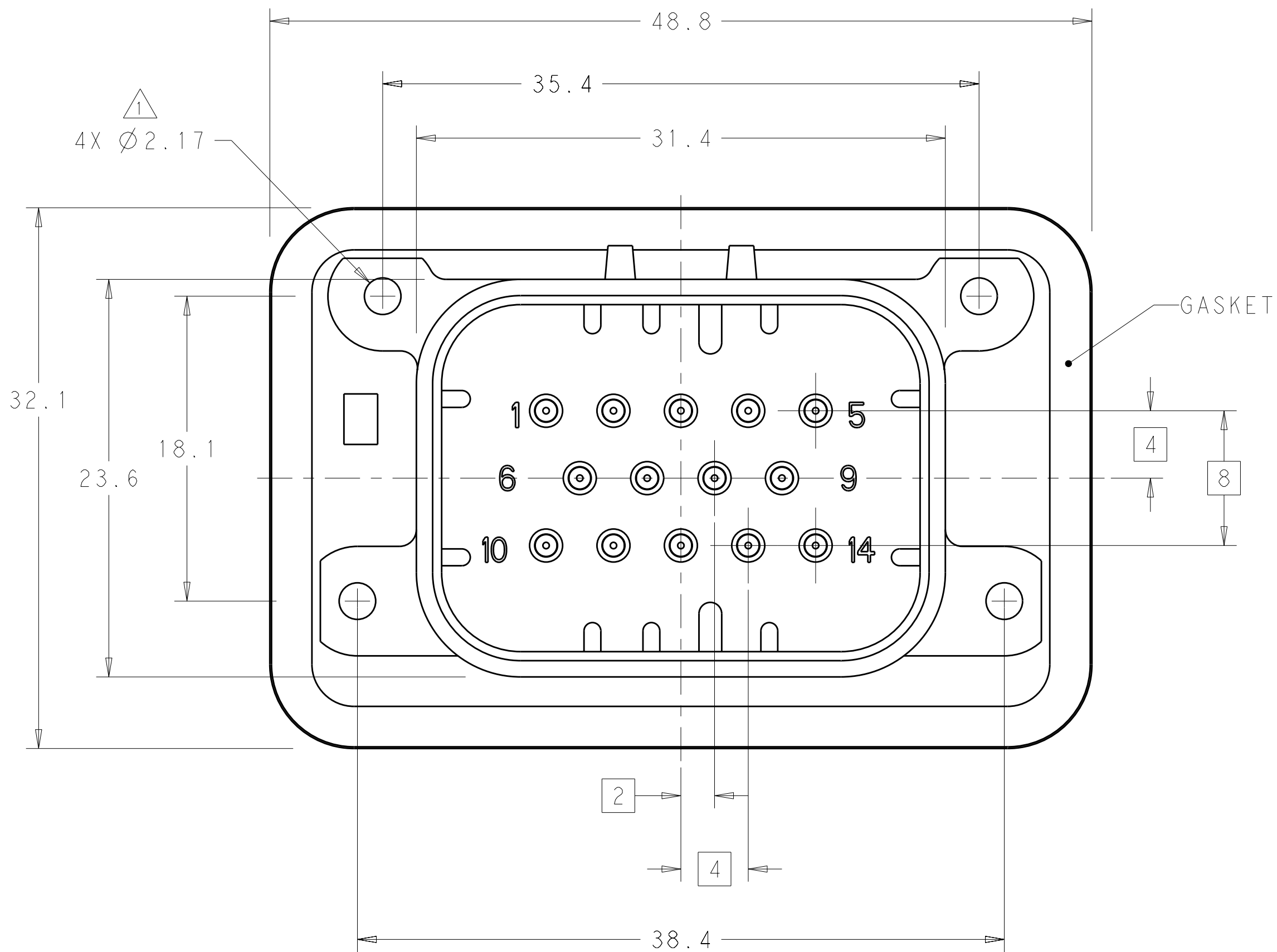
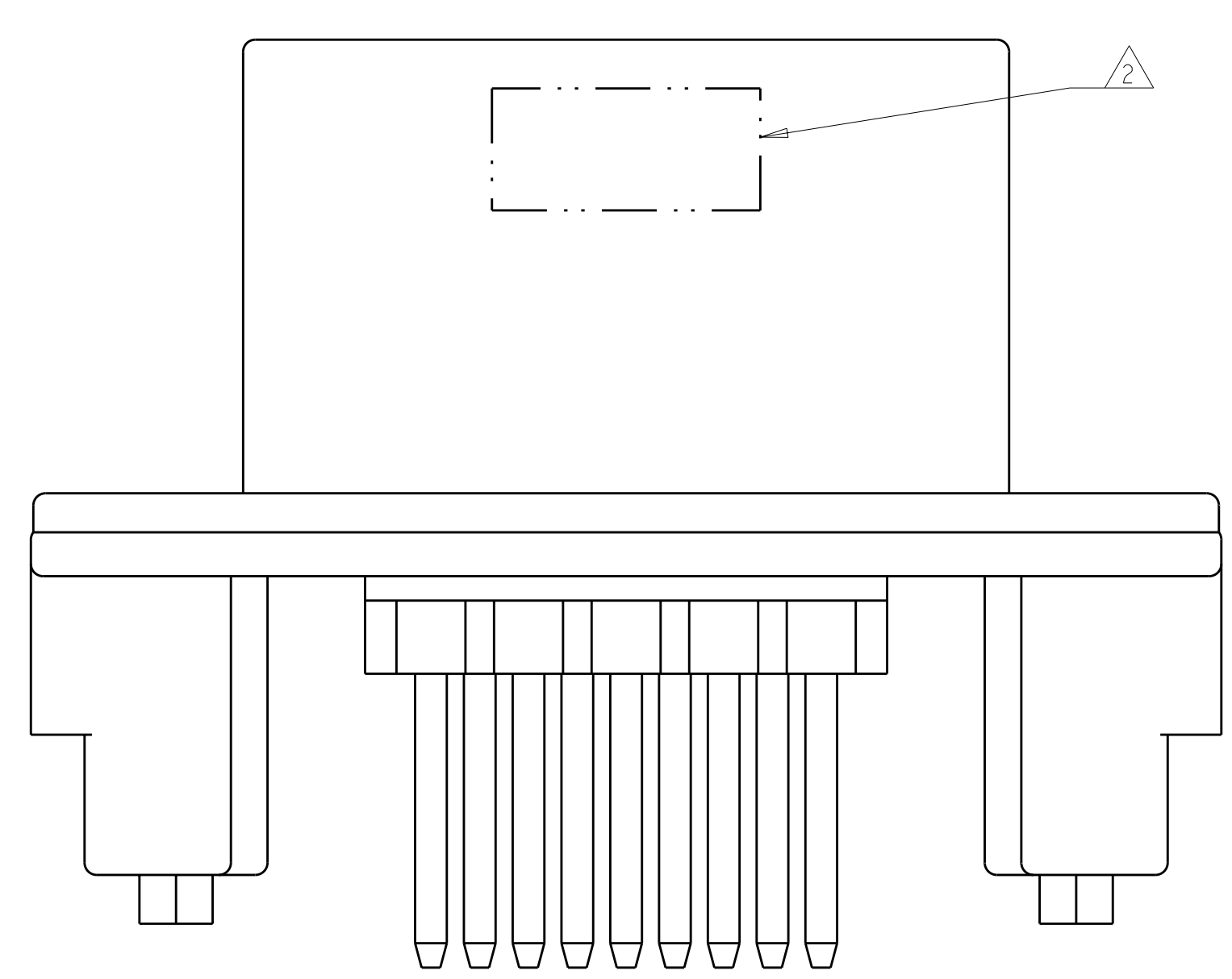


LOC	DIST	REVISIONS			
REV	DATE	DESCRIPTION	DATE	DWN	APVD
A3	11MAR2011	REVISED PER ECO-11-005030		RK	HMR
A4	29MAY2012	REVISED PER ECO-12-009257		DD	DS



SECTION A-A



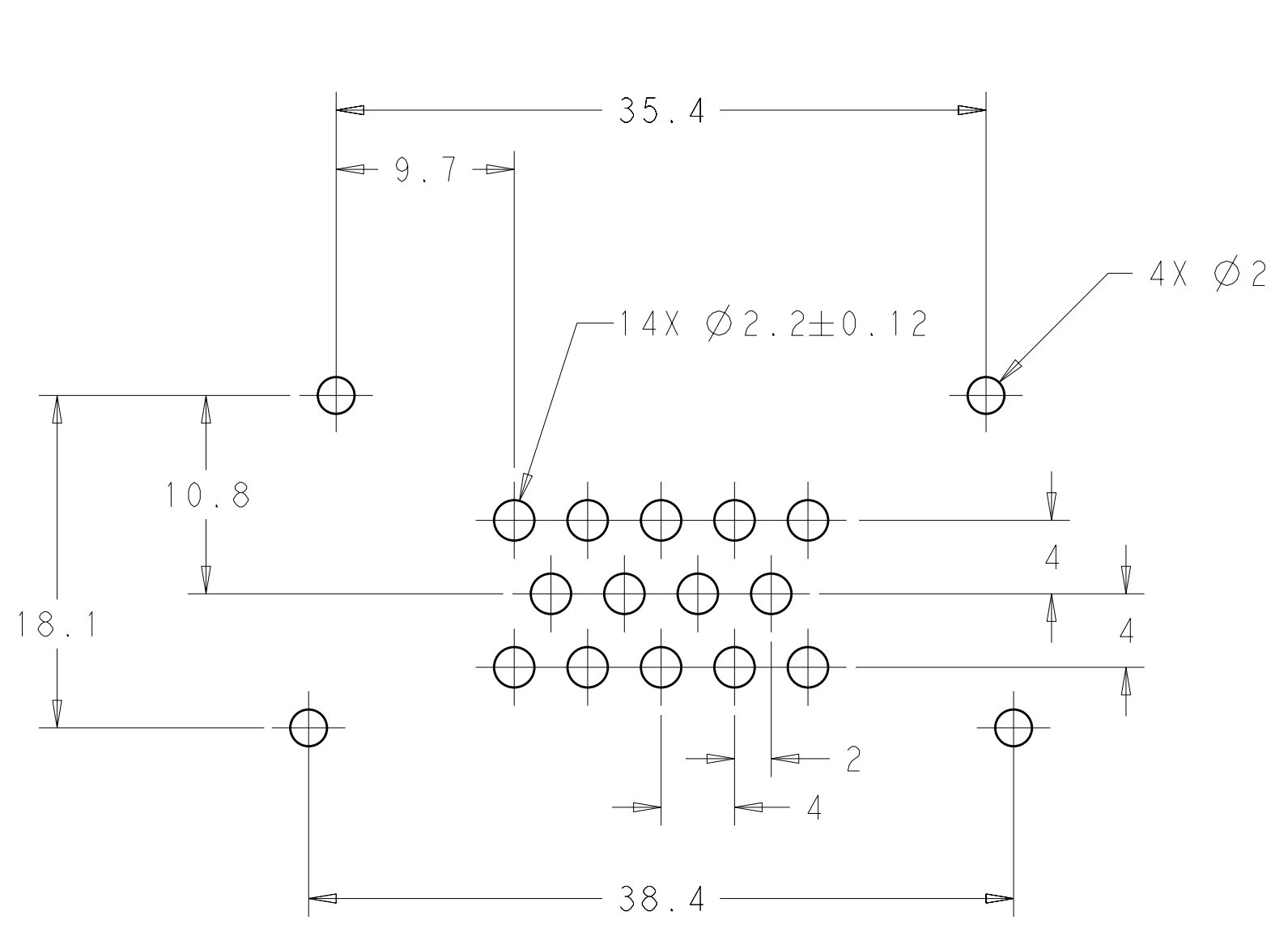
- 1 ACCEPTS #4 SELF TAPPING THREAD FORMING SCREWS OR METRIC EQUIVALENT. DRIVE TO 0.6 N-m MAX
- 2 DATE CODE TO BE BRANDED IN THIS LOCATION PER TE SPEC 102-60. USE 5 DIGIT CODE: FIRST 2 DIGITS = YEAR, SECOND 2 DIGITS = WEEK, LAST DIGIT = DAY.
- 3 MATERIALS: HEADER HOUSING - GLASS FILLED PBT
PINS - TIN OR GOLD PLATED BRASS
GASKET - SILICONE
- 4 HOUSING COLORS ARE MECHANICALLY KEYED TO MATE ONLY WITH IDENTICALLY COLORED PLUG ASSEMBLIES.
- 5. HEADER MATES TO PLUG ASSEMBLY 776273 WHICH USES REELED TERMINAL 770520 OR LOOSE PIECE TERMINAL 770854

776262-1 & 1-776262-1 SHOWN

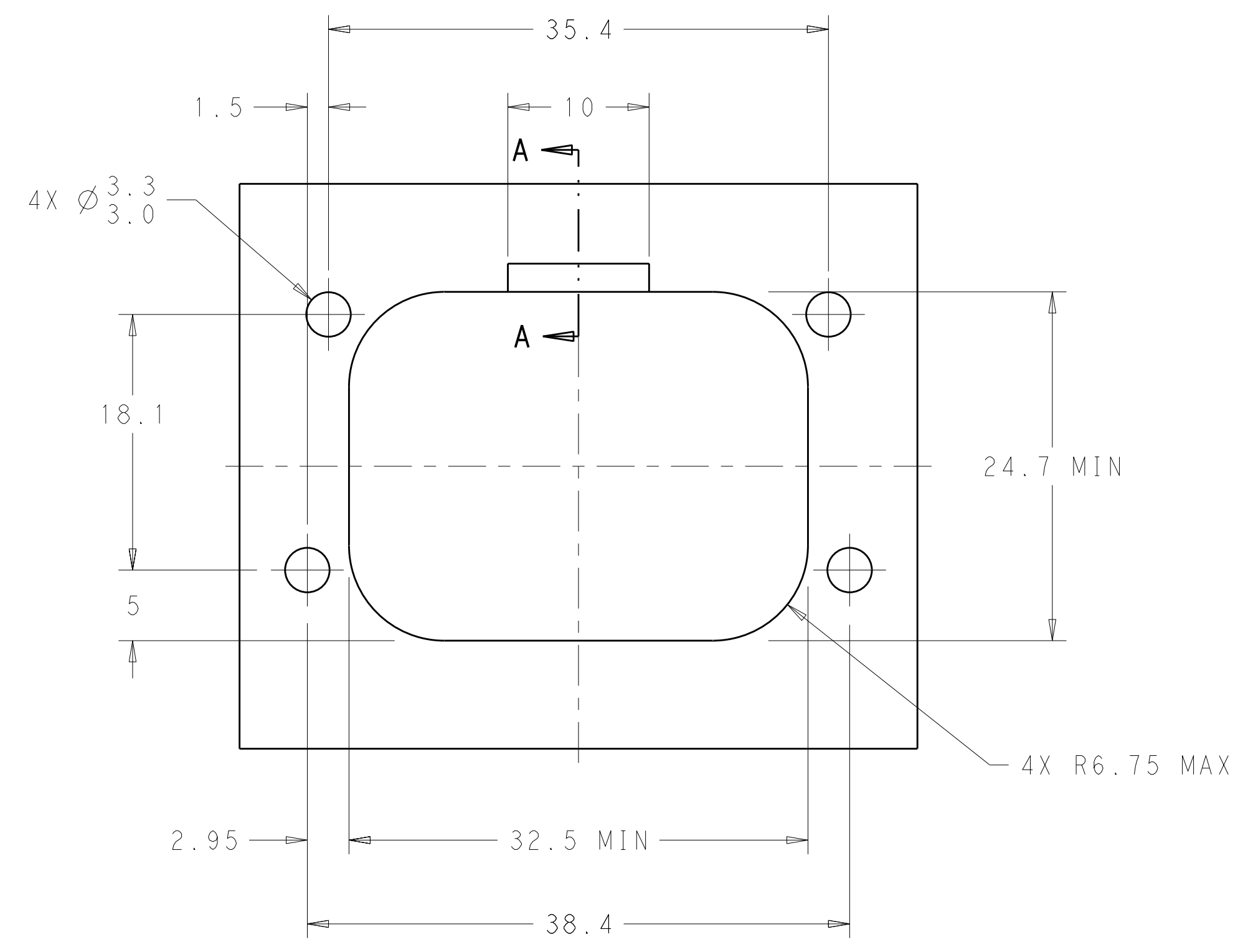
HEADER COLOR	PLATING	PART NUMBER
BLUE	DURAGOLD	1-776262-5
GRAY	DURAGOLD	1-776262-4
NATURAL	DURAGOLD	1-776262-2
BLACK	DURAGOLD	1-776262-1
BLUE	TIN	776262-5
GRAY	TIN	776262-4
NATURAL	TIN	776262-2
BLACK	TIN	776262-1

THIS DRAWING IS A CONTROLLED DOCUMENT.		DWN D. STRAUSSER 03MAR2010	NAME	
DIMENSIONS: mm		CHK D. STRAUSSER 22MAR2010	ASSEMBLY, HEADER, 14 POSITION, VERTICAL, AMPSEAL WITH FLANGE SEAL	
TOLERANCES UNLESS OTHERWISE SPECIFIED: 9 PLC ± 7 PLC ±0.2 5 PLC ±0.13 4 PLC ± ANGLES ±°		APVD D. STRAUSSER 27APR2010	PRODUCT SPEC 108-1329	RESTRICTED TO
MATERIAL		APPLICATION SPEC 114-16016	SIZE CAGE CODE DRAWING NO A1100779C-776262	REV A4
FINISH		WEIGHT	CUSTOMER DRAWING	SCALE 4:1 SHEET 1 OF 2

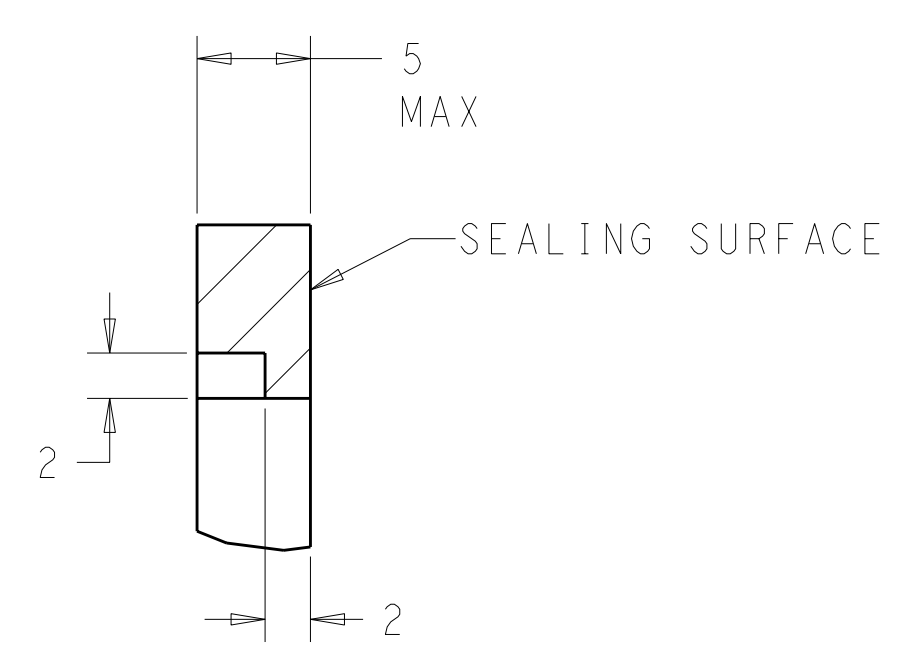
LOC	DIST	REVISIONS			
REV	DATE	DESCRIPTION	DATE	BY	APPV
GE	00	SEE SHEET 1			



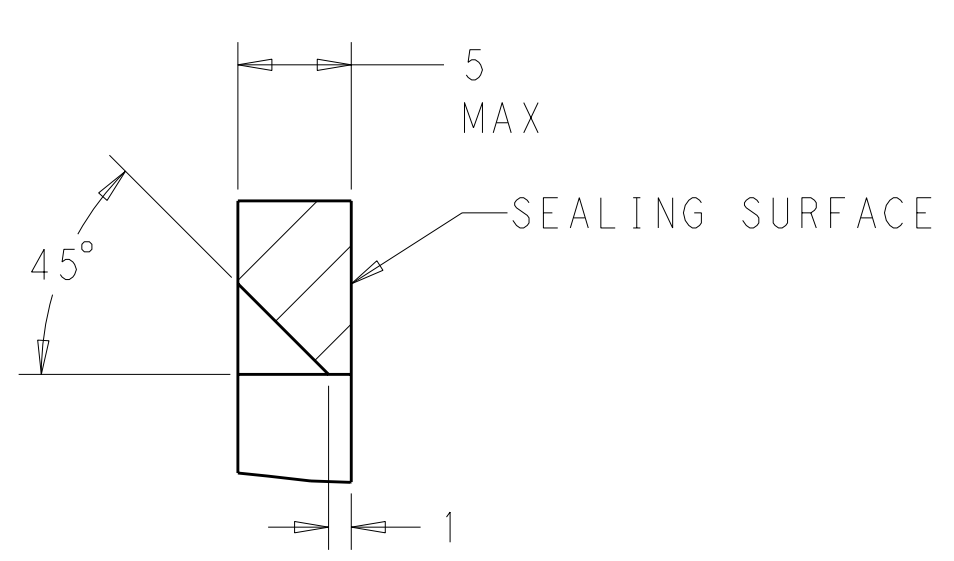
RECOMMENDED P.C. BOARD LAYOUT FOR 1.57 THICK P.C. BOARD



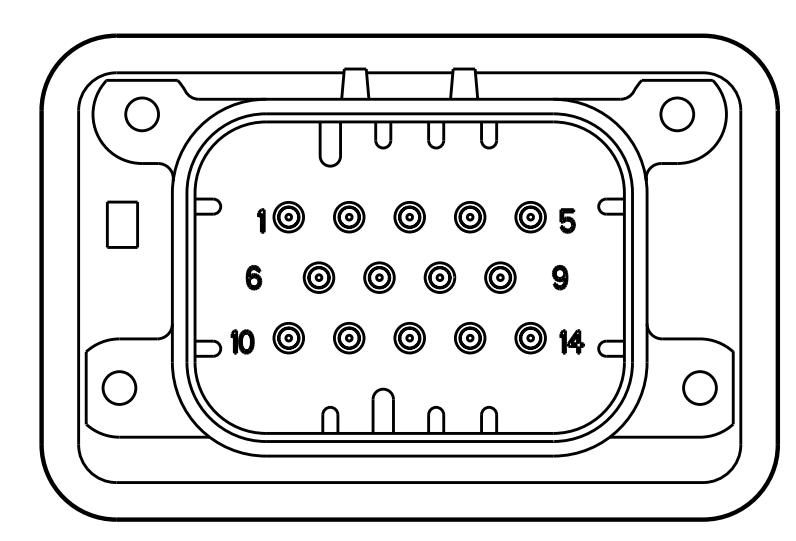
RECOMMENDED MOUNTING HOLE LAYOUT FOR 5.0 MAX THICK PANEL



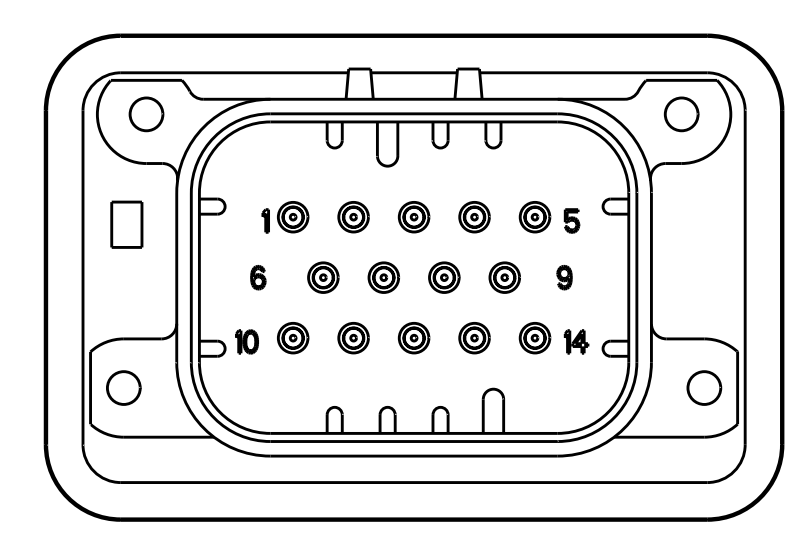
SECTION A-A
 OPTIONAL CONSTRUCTION IF PANEL THICKNESS IS GREATER THAN 2.0



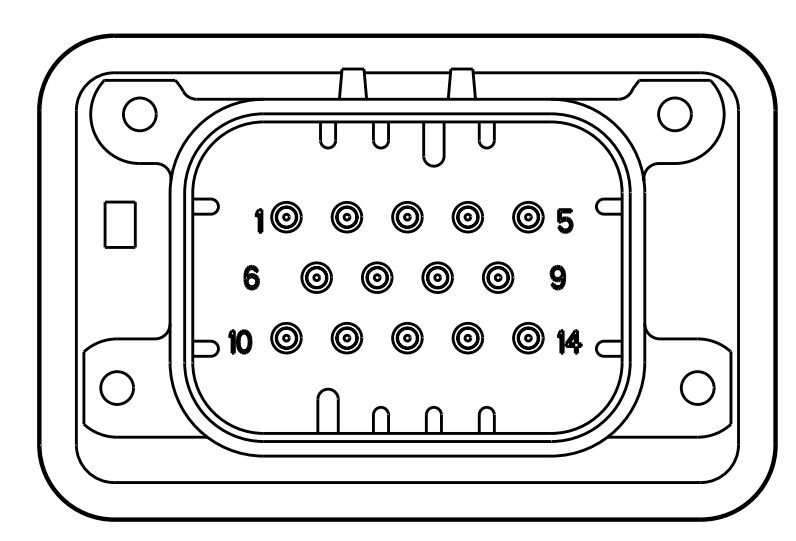
SECTION A-A
 OPTIONAL CONSTRUCTION IF PANEL THICKNESS IS GREATER THAN 2.0



776262-2 & 1-776262-2
 KEY LOCATION
 SCALE 2:1



776262-4 & 1-776262-4
 KEY LOCATION
 SCALE 2:1



776262-5 & 1-776262-5
 KEY LOCATION
 SCALE 2:1

THIS DRAWING IS A CONTROLLED DOCUMENT.		OWN: D. STRAUSSER 03MAR2010	STE TE Connectivity	
DIMENSIONS: mm		CHK: D. STRAUSSER 22MAR2010	NAME: ASSEMBLY, HEADER, 14 POSITION, VERTICAL, AMPSEAL WITH FLANGE SEAL	
TOLERANCES UNLESS OTHERWISE SPECIFIED:		APVD: D. STRAUSSER 27APR2010	PRODUCT SPEC: 108-1329	
9 PLC ±		APPLICATION SPEC: 114-16016		
1 PLC ±0.2		WEIGHT: -		
2 PLC ±0.13		CUSTOMER DRAWING		
3 PLC ±		SCALE: 2:1		
4 PLC ±		SHEET: 2 OF 2		
ANGLES ±4°		REV: A4		
FINISH: -		SIZE: CAGE CODE DRAWING NO: A100779C-776262		