

THIS COPY IS PROVIDED ON A RESTRICTED BASIS AND IS NOT TO BE USED IN ANY WAY DETRIMENTAL TO THE INTERESTS OF PANDUIT CORP.

| PANDUIT PART NUMBER | STUD SIZE | DIMENSIONS in. | | | | |
|---------------------|-----------|----------------|---------------|---------------|----------------|----------------|
| | | A ±.030 | W ±.010 | C ±.020 | M ±.030 | H ±.005 |
| PNF14-6FF-3K | #6 | .80 (20.32) | .28 (7.11) | .19 (4.83) | .64 (16.26) | .160 (4.06) |
| PNF14-8FF-3K | #8 | .87 (22.09) | .31 (7.87) | .23 (5.84) | .68 (17.27) | .173 (4.39) |
| PNF14-10FF-3K | #10 | .87 (22.09) | .35 (8.89) | .23 (5.84) | .68 (17.27) | .198 (5.03) |

NOTES :

- UL LISTED AND CSA CERTIFIED FOR :
 - 600 V MAX. VOLTAGE RATING
 - 221°F (105°C) MAX. TEMP. RATING
 - #16-14 AWG (1.3-2.0 mm) SOLID OR STRANDED, COPPER WIRE
- PACKAGE QTY. : 3K = 3000 PCS.
CONTINUOUS MOLDED CARRIER STRIP
- MATERIAL :
 - STAMPING - .03" THK COPPER, TIN PLATED
 - HOUSING - BLUE NYLON
 - SLEEVE - BRASS, TIN PLATED
- DIMENSIONS IN BRACKETS ARE IN MILLIMETERS
- INSTALLATION TOOLS :
 - PRESSES - CP-851, CP-860, CP-861
 - APPLICATOR - CA-800
 - DIE INSERTS - CD-800-2

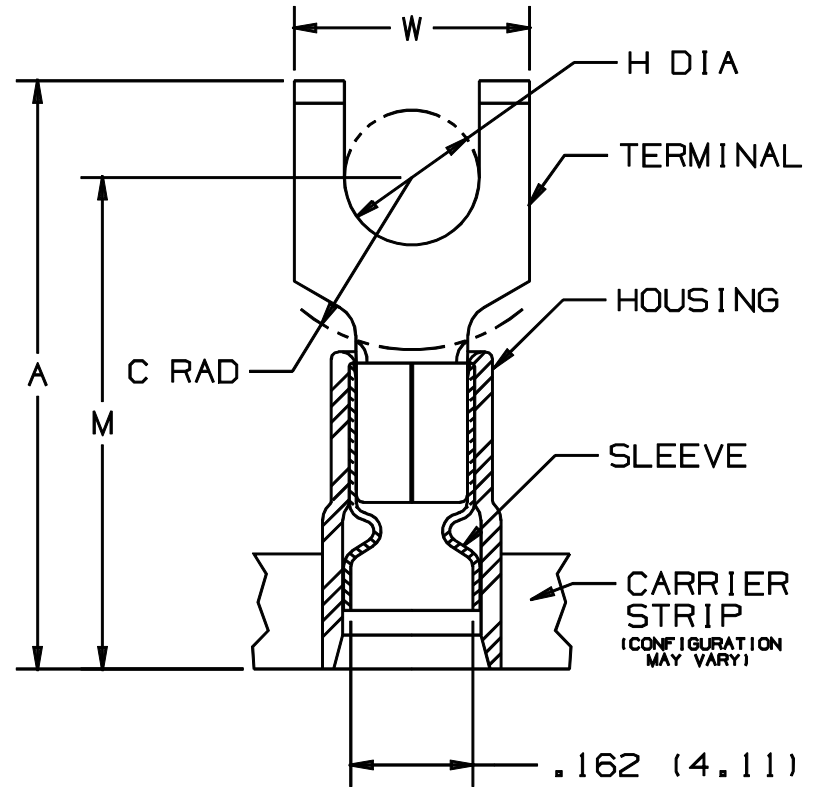
6. WIRE STRIP LENGTH $1/4^{+1/32}_{-0}$ (6.4^{+0.8}₋₀)



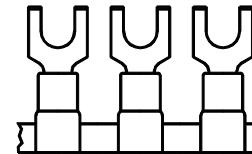
LISTED
587H
E52164



CERTIFIED
LR31212



MAX WIRE
INSUL DIA
.162 (4.11)
MIN. WIRE
INSUL. DIA.
.080 (2.03)



| | | | | | | | |
|-----|-------|------|-----|---|-------|-----|------|
| 07 | 11/01 | SAB | | THE TOLERANCE FOR DIM H WAS ±.010, UPDATED H DIMENSIONS TO CORRESPOND WITH TOLERANCE CHANGE | | | |
| 06 | 10/01 | SAB | SKB | DIM H FOR PNF14-6FF-3K WAS .15, (3.81) | 09707 | BAD | JAC |
| 05 | 12/00 | ED | SKB | FILESPEC WAS: N41137AA_PCD_04 | 08925 | CCH | JAC |
| 04 | 1/97 | JAMB | | ADDED DIM., "MIN. WIRE INSULATION DIA." | 05407 | | |
| 03 | 9/96 | TSM | RLS | REVISED DIMS., TOLERANCES, ADD NOTE #6 | 05070 | DBH | LA |
| REV | DATE | BY | CHK | DESCRIPTION | ECN | PM | CUST |

A41137_07

PANDUIT CORP.

TINLEY PARK, ILLINOIS

TERMO 3PC, CONTINUOUSLY MOLDED NYLON (FUNNEL)
INSULATED, 16-14 BARREL, FLANGED FORKS

DRAWN BY GRM CHK'D FS SCALE NONE DRAWING NO A41137