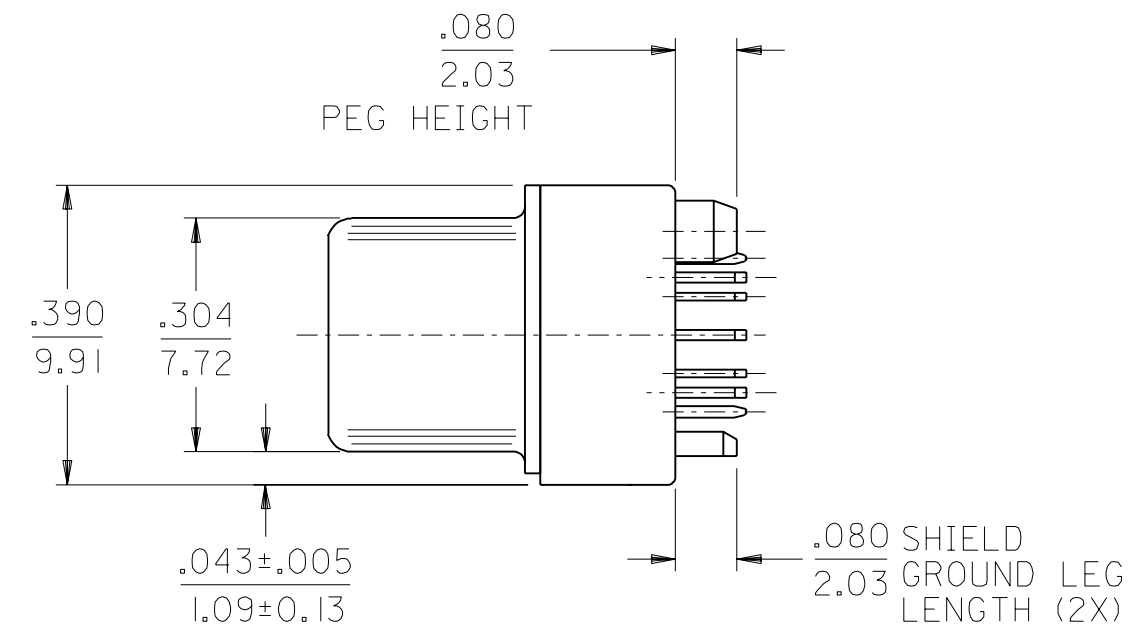
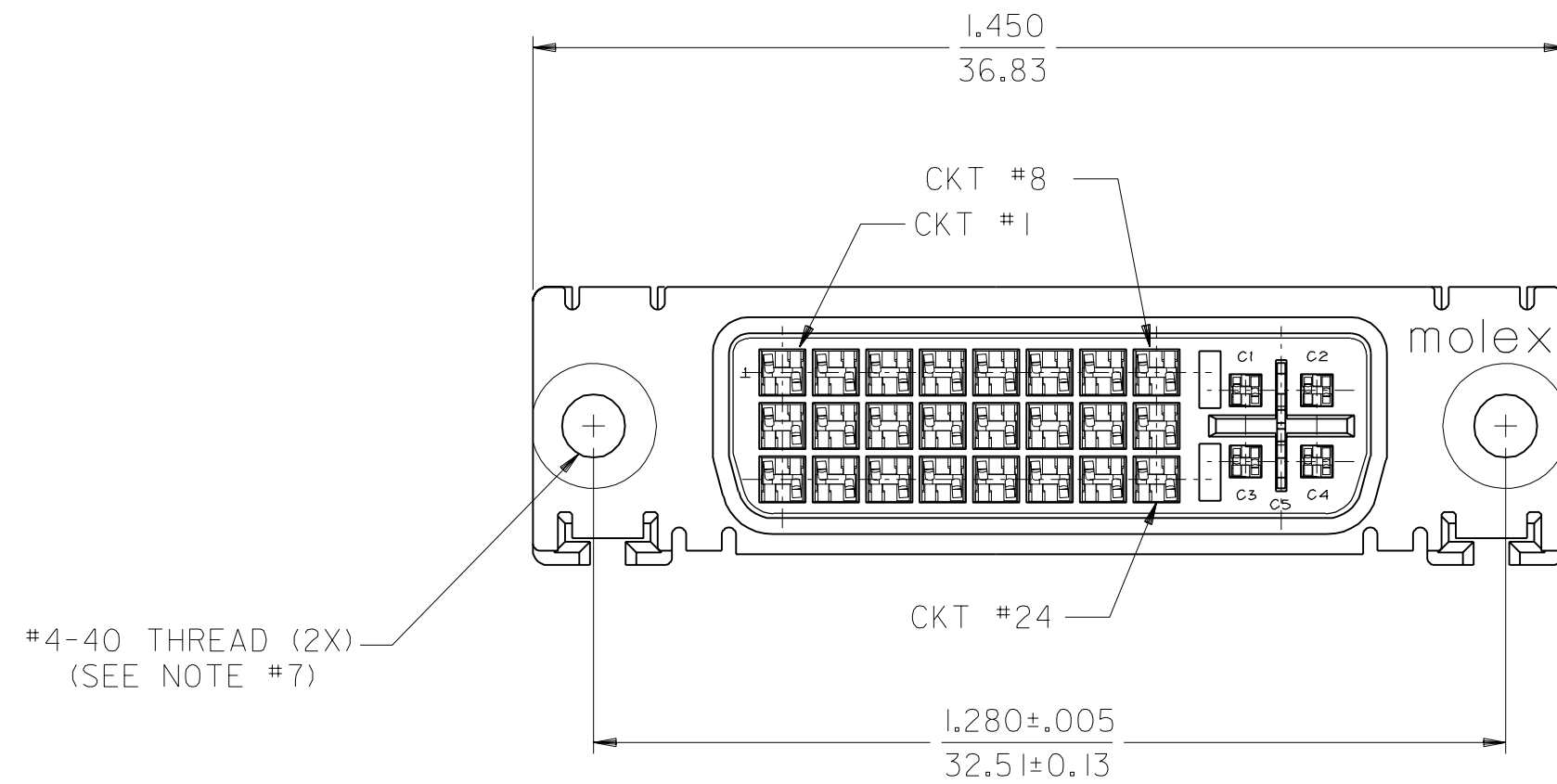
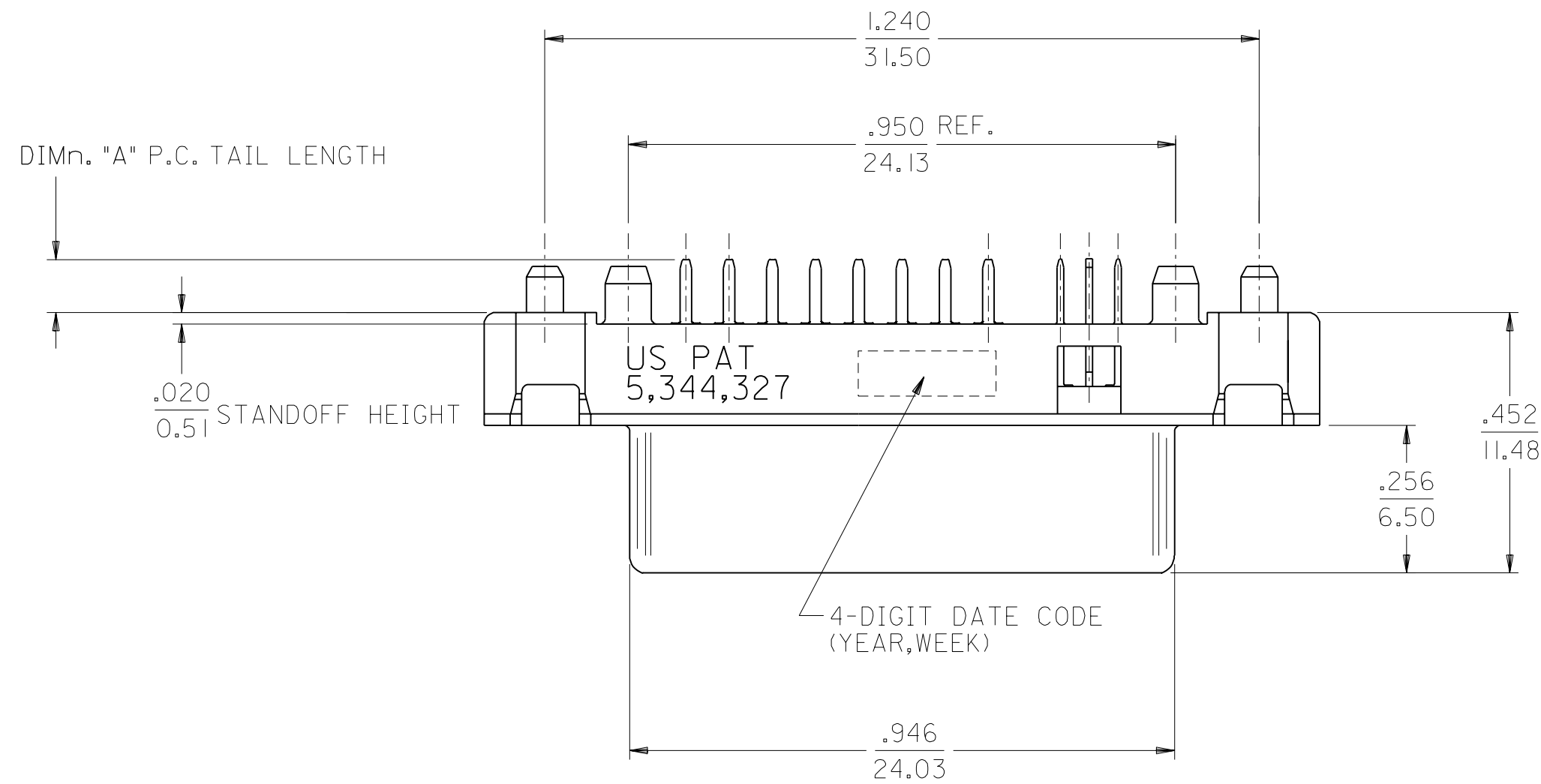


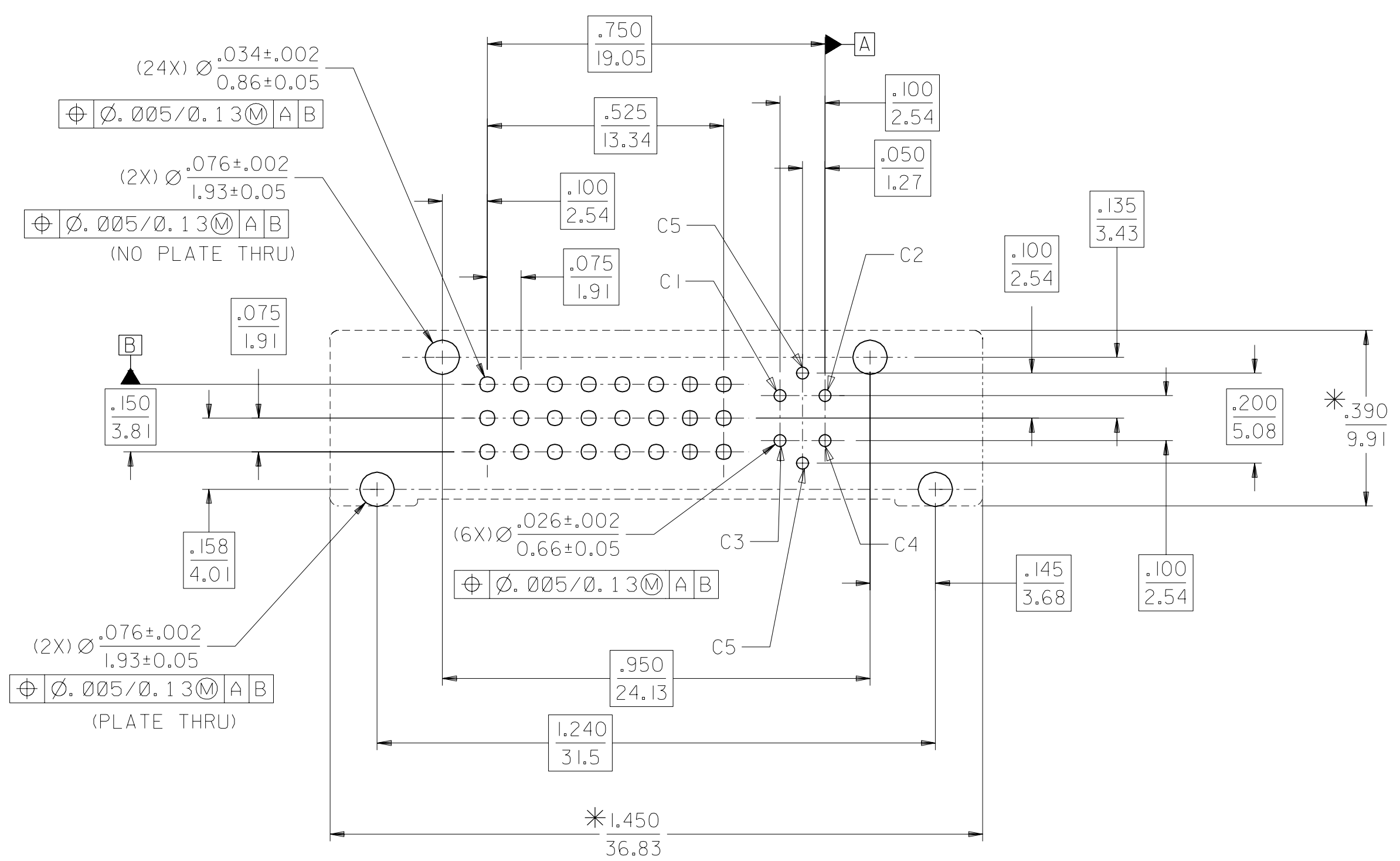
NOTES:

1. MATERIALS:
SHIELD -- DEEP DRAW STEEL.
HOUSING -- GLASS FILLED POLYMER, NATURAL (WHITE), UL 94v-0.
CONTACTS -- COPPER ALLOY.
MICROCROSS GROUND -- COPPER ALLOY
2. PLATING: SEE SHEET 2.
3. PRODUCT CONFORMS TO MOLEX PRODUCT SPECIFICATION NUMBER PS-74320-001.
4. SEE SHEET 2 FOR RECOMMENDED PANEL CUT-OUT AND P.C.B. LAYOUT.
5. PARTS WILL BE PACKAGED IN TRAYS PER PK-74320-010.
6. PRODUCT CONFORMS TO DDWG DVI SPECIFICATION. REFER TO THIS SPECIFICATION FOR CONNECTOR MATING DIMENSIONS.
7. RECOMMENDED MOUNTING HARDWARE IS MOLEX P/N 71781-0001 OR 82007-0300 OR 88780-6066. REFER TO PRODUCT SPECIFICATION NUMBER PS-74320-001 FOR THE APPLICATION TORQUE REQUIREMENT FOR ASSEMBLING MOUNTING HARDWARE.



PART NUMBER	DIMn "A"	PLATING OPTION
74320-3000	.092/2.34	1
74320-3001	.050/1.27	1
74320-3004	.092/2.34	2
74320-3005	.050/1.27	2

MODIFICATION EC NO. SH2004-0130 DRWN: DXUE 04/03/05 CHK: HARVEY 04/03/11 APPR: SHUANG 04/03/12	QUALITY SYMBOLS MAJOR $\nabla=0$ CRITICAL $\nabla_c=0$	GENERAL TOLERANCES: (UNLESS SPECIFIED)	SCALE 4 : 1	DESIGN UNITS <input type="checkbox"/> mm <input checked="" type="checkbox"/> INCH	THIRD ANGLE PROJECTION	DIMENSIONS: <input type="checkbox"/> mm <input checked="" type="checkbox"/> INCH <input type="checkbox"/> mm ONLY	SHT REV	
	DESCRIPTION REV	4 PLACES ±0. ±. 3 PLACES ±0. ±.010 2 PLACES ±0.25 ±.010 1 PLACE ±0. ±.	DRAWN BY & DATE MOSULLIV 99/02/12	TITLE: DVI - INTERGRATED VERTICAL RECEPTACLE CONNECTOR				
	DRAFT WHERE APPLICABLE MUST REMAIN WITHIN DIMENSIONS	ANGULAR: ± 1/2°	CHECKED BY & DATE MOSULLIV 99/02/12	MOLEX INCORPORATED				
	CAD FILENAME SD74320002.S01	MATERIAL NO. SEE CHART	APPROVED BY & DATE NELLIGAN 99/02/15	DRAWING NO. SD-74320-002	SHEET NO. 1 OF 2	THIS DRAWING CONTAINS INFORMATION THAT IS PROPRIETARY TO MOLEX INCORPORATED AND SHOULD NOT BE USED WITHOUT WRITTEN PERMISSION.		



RECOMMENDED PCB LAYOUT

* THESE DIMENSIONS REPRESENT CONNECTOR OVERLAY ON PCB.

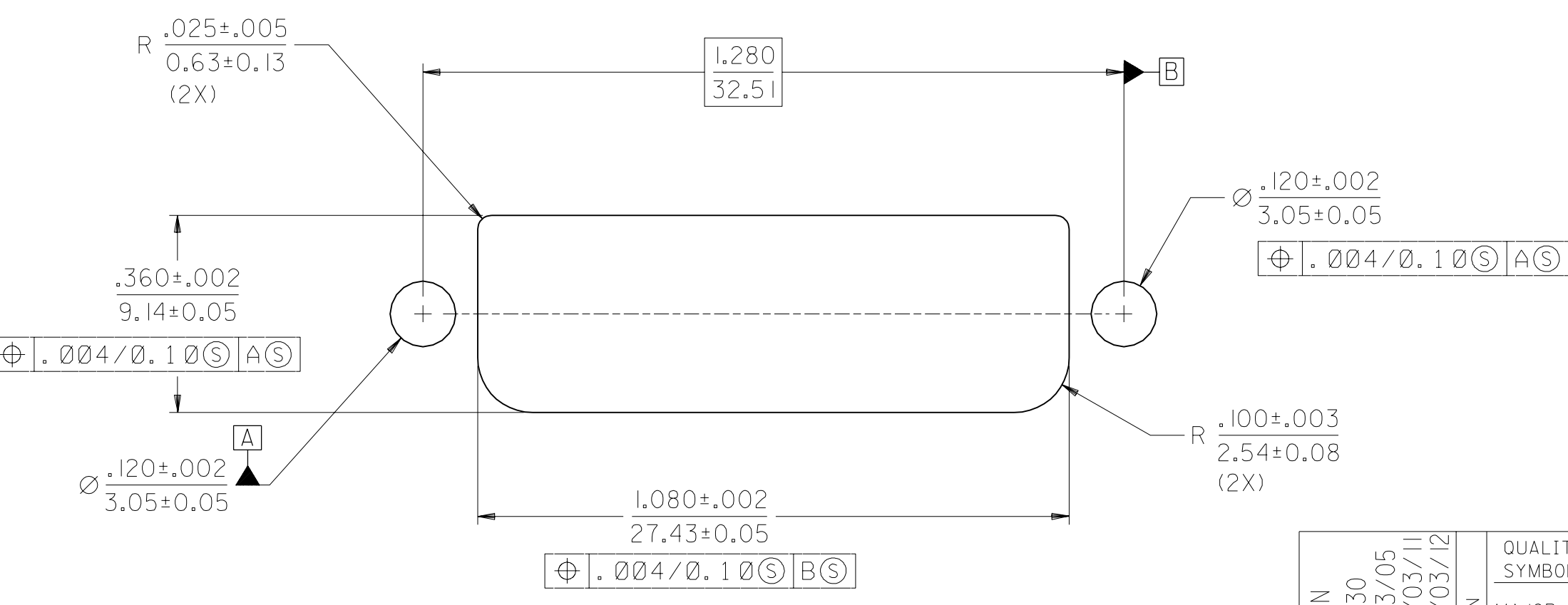
PLATING OPTIONS:

PLATING OPTION #1:

OUTER SHIELD -- 150u"/3.75um MIN. BRIGHT TIN OVER 50u"/1.27um MIN. NICKEL OVER COPPER FLASH.
 .075"/1.91mm CONTACTS -- 30u"/0.75um MIN. SELECT GOLD AND 100u"/2.50um MIN. SELECT PURE TIN OVER 50u"/1.27um MIN. NICKEL OVERALL.
 .100"/2.54mm CONTACTS -- 30u"/0.75um MIN. SELECT GOLD AND 100u"/2.50um MIN. SELECT PURE TIN OVER 50u"/1.27um MIN. NICKEL OVERALL.
 MICROCROSS GROUND -- 30u"/0.75um MIN. SELECT GOLD AND 100u"/2.50um MIN. SELECT PURE TIN OVER 50u"/1.27um MIN. NICKEL OVERALL.

PLATING OPTION #2:

OUTER SHIELD -- 150u"/3.75um MIN BRIGHT TIN OVER 50u"/1.27um MIN. NICKEL OVER COPPER FLASH.
 .075"/1.91mm CONTACTS -- SELECT GOLD FLASH AND 100u"/2.50um MIN. SELECT PURE TIN OVER 50u"/1.27um MIN. NICKEL OVERALL.
 .100"/2.54mm CONTACTS -- SELECT GOLD FLASH AND 100u"/2.50um SELECT PURE TIN OVER 50u"/1.27um MIN. NICKEL OVERALL.
 MICROCROSS GROUND -- 30u"/0.75um MIN. SELECT GOLD AND 100u"/2.50um MIN. SELECT PURE TIN OVER 50u"/1.27um MIN. NICKEL OVERALL.



RECOMMENDED PANEL CUT-OUT
 PANEL THICKNESS: .030/0.76 - .040/1.02

MODIFICATION	EC NO. SH2004-0130	QUALITY SYMBOLS	GENERAL TOLERANCES: (UNLESS SPECIFIED)		SCALE 4 : 1	DESIGN UNITS <input type="checkbox"/> mm <input checked="" type="checkbox"/> INCH	THIRD ANGLE PROJECTION	SHT	REV
	DRWN: DXUE 04/03/05		MAJOR	mm					
DESCRIPTION	CHK: HARVEY 04/03/11	CRITICAL	4 PLACES ±0. ±.		DRAWN BY & DATE	CHECKED BY & DATE	TITLE: DVI - INTEGRATED VERTICAL RECEPTACLE CONNECTOR	MATERIAL NO.	SHEET NO.
	APPR: SHUANG 04/03/12		MINOR	3 PLACES ±0. ±.010					
REV			2 PLACES ±0.25 ±.010		APPROVED BY & DATE	MOLEX INCORPORATED		DRAWING NO.	
			1 PLACE ±0. ±.		NELLIGAN 97/03/07			SD-74320-002	2
			ANGULAR: ± 1/2°		CAD FILENAME				
			DRAFT WHERE APPLICABLE MUST REMAIN WITHIN DIMENSIONS		THIS DRAWING CONTAINS INFORMATION THAT IS PROPRIETARY TO MOLEX INCORPORATED AND SHOULD NOT BE USED WITHOUT WRITTEN PERMISSION.				SIZE C