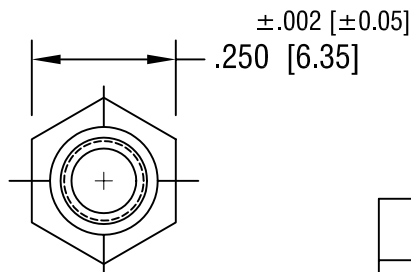
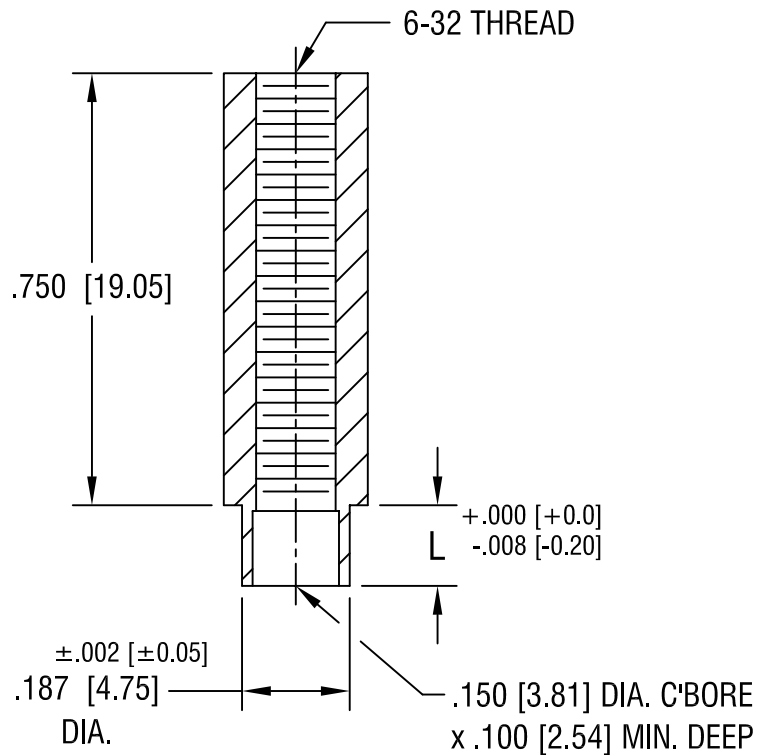


THIS DOCUMENT IS THE PROPERTY OF
KEYSTONE ELECTRONICS CORP. AND
SHALL NOT BE REPRODUCED, DISTRIBUTED
OR USED AS A BASIS FOR MANUFACTURE
WITHOUT PRIOR WRITTEN PERMISSION
FROM KEYSTONE ELECTRONICS CORP.



| PART NO. | 'L' DIM. |
|----------|-------------|
| 1761-2 | .109 [2.77] |
| 1761-3 | .140 [3.56] |
| 1761-4 | .171 [4.34] |

| | | | |
|-----------------------------------|--|--------|--------------|
| KEYSTONE ELECTRONICS CORP. | | | |
| ASTORIA, N.Y. 11105-2017 | | | |
| PART NAME | | | |
| SWAGE THREADED STANDOFF | | | |
| MATERIAL | | | |
| BRASS | | | |
| FINISH | | DRN BY | DATE |
| DUCTILE NICKEL PLATE | | BOONE | 7.1.82 |
| | | APPD | SCALE |
| | | LN | 3X |
| TOLERANCES | | INCH | [MM] |
| DECIMAL | | ±.005 | [± 0.15] |
| ANGULAR | | ± 1° | |
| UNLESS OTHERWISE SPECIFIED | | CODE | DWG NO. |
| | | C/M | 1761- |

| | | |
|---------|--------------------------|------|
| 5.16.02 | CHANGE AS PER ECN 02-049 | B |
| 4.10.96 | CHANGE AS PER ECR 96-018 | A |
| DATE | DESCRIPTION | REV. |