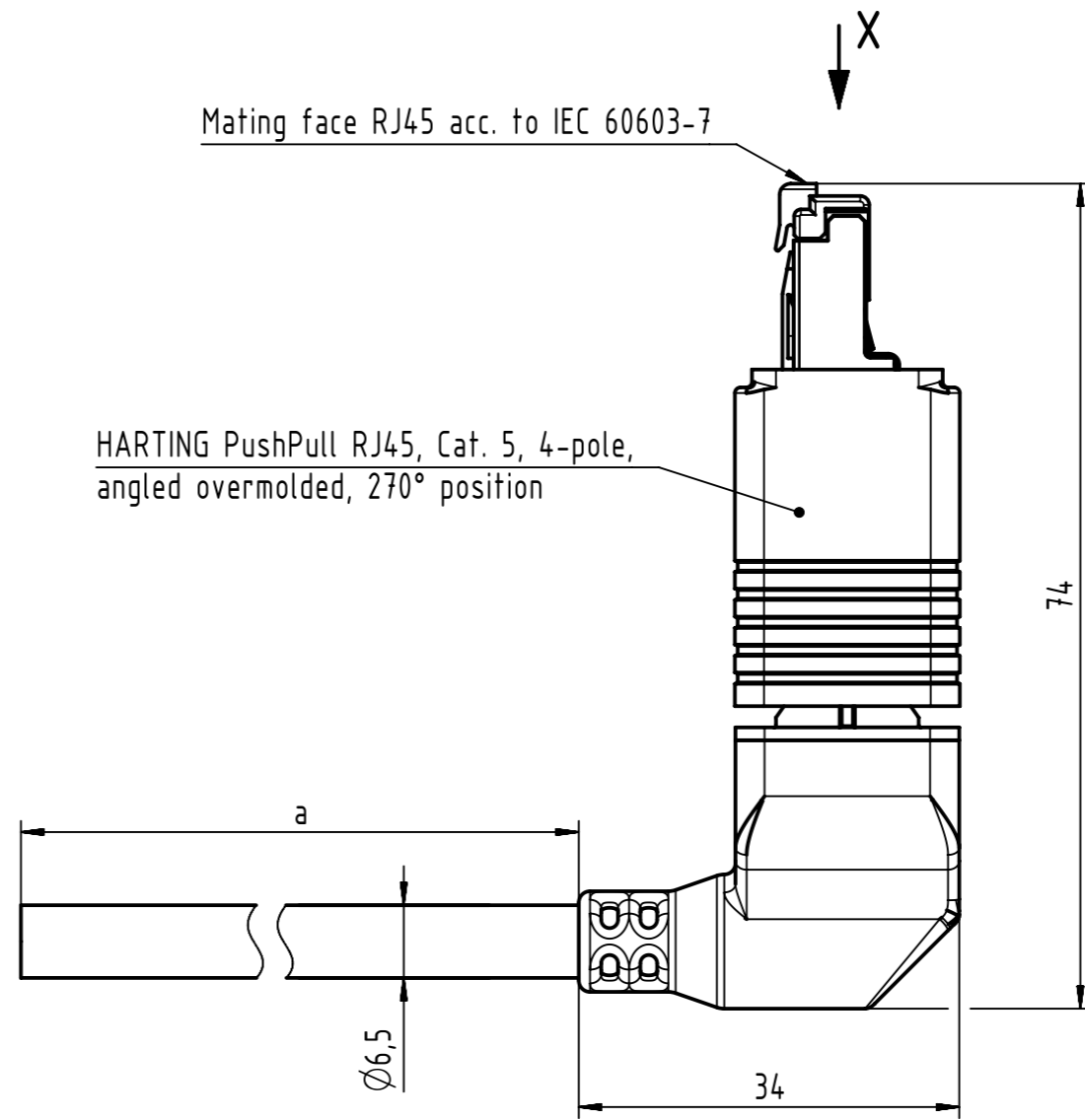
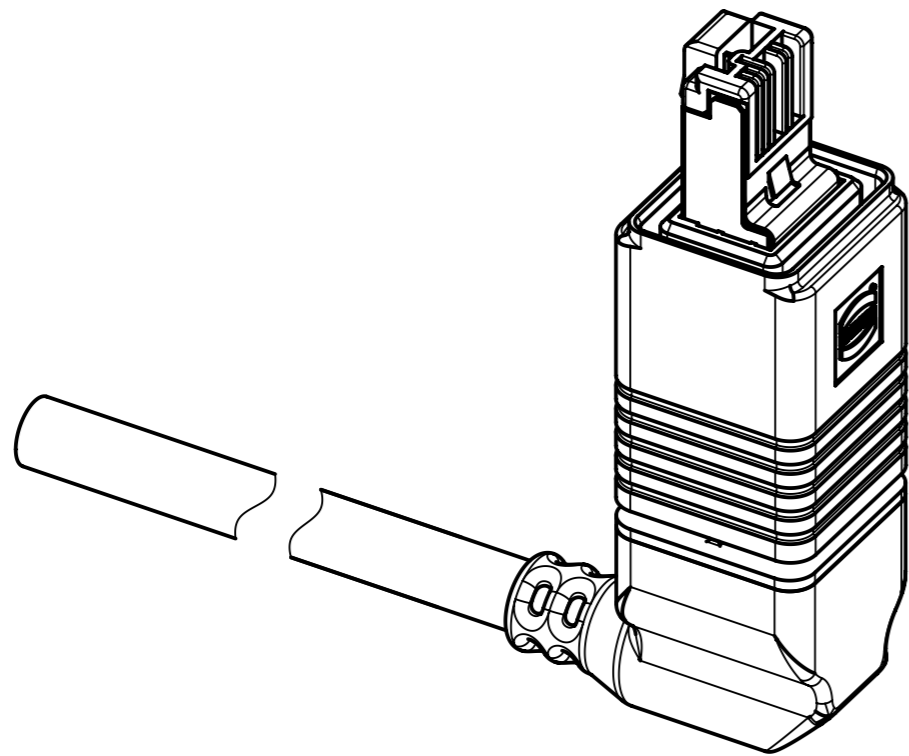
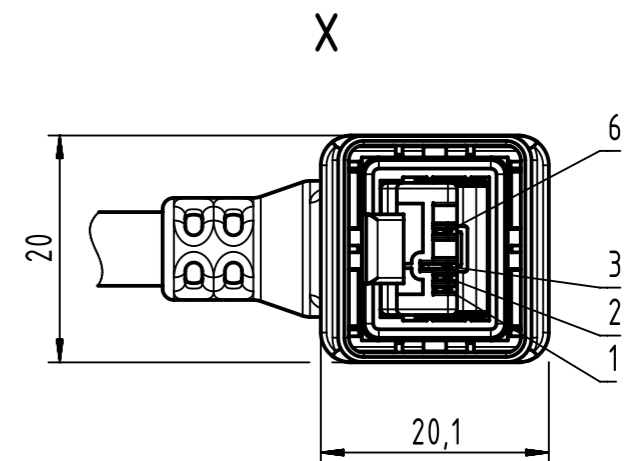
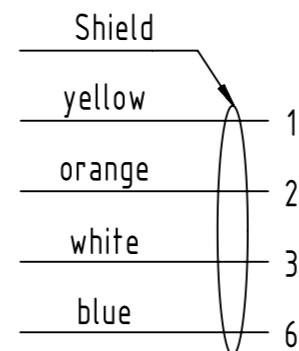


- Protection level: IP65/67
 - Temperature range: -40°C ... +70°C




Loading-Plan:



	All rights reserved	Created by	Inspected by	Standardisation	Date	State	
	Department EC PD - RO	MUNTEANV	AVRAM	HOFFMANN	2016-03-03	Final Release	
HARTING Electronics GmbH D-32339 Espelkamp		Title HARTING PushPull RJ45 Cable Assembly				Doc-Key / ECM-Nr. 100155528/UGD/004/C 500000101154	
		Type	Number		Rev.	Page	
		TB	094738000XX		C	1/2	

	1	2	3	4	5	6	7	8	
A									
B	44	09473800044	RJ45 Ethernet stranded cable, 4xAWG22/7, PVC, Cat. 5+, green	100	88	09473800088	RJ45 Ethernet stranded cable, AWG22/7, 2x2x0.75, outdoor, PVC, Cat. 5+, black	100	
	43	09473800043		90	87	09473800087		90	
	42	09473800042		80	86	09473800086		80	
	41	09473800041		70	85	09473800085		70	
	40	09473800040		60	84	09473800084		60	
	39	09473800039		50	83	09473800083		50	
	38	09473800038		40	82	09473800082		40	
	37	09473800037		30	81	09473800081		30	
	36	09473800036		20	80	09473800080		20	
	35	09473800035		15	79	09473800079		15	
	34	09473800034		10	78	09473800078		10	
	33	09473800033		9	77	09473800077		9	
	32	09473800032		8	76	09473800076		8	
	31	09473800031		7	75	09473800075		7	
	30	09473800030		6	74	09473800074		6	
	29	09473800029		5	73	09473800073		5	
	28	09473800028		4	72	09473800072		4	
	27	09473800027		3	71	09473800071		3	
	26	09473800026		2	70	09473800070		2	
	25	09473800025		1.5	69	09473800069		1.5	
	24	09473800024		1	68	09473800068		1	
	23	09473800023		0.5	67	09473800067		0.5	
	22	09473800022		100	66	09473800066		100	
D	21	09473800021		90	65	09473800065		90	
	20	09473800020		80	64	09473800064		80	
	19	09473800019		70	63	09473800063		70	
	18	09473800018		60	62	09473800062		60	
	17	09473800017	50	61	09473800061	50			
	16	09473800016	40	60	09473800060	40			
	15	09473800015	30	59	09473800059	30			
	14	09473800014	20	58	09473800058	20			
	13	09473800013	15	57	09473800057	15			
	12	09473800012	10	56	09473800056	10			
E	11	09473800011	9	55	09473800055	9			
	10	09473800010	8	54	09473800054	8			
	9	09473800009	7	53	09473800053	7			
	8	09473800008	6	52	09473800052	6			
	7	09473800007	5	51	09473800051	5			
	6	09473800006	4	50	09473800050	4			
	5	09473800005	3	49	09473800049	3			
	4	09473800004	2	48	09473800048	2			
	3	09473800003	1.5	47	09473800047	1.5			
	2	09473800002	1	46	09473800046	1			
	1	09473800001	0.5	45	09473800045	0.5			
F	Cont. no.	Part no.	Type of cable	Dim. a[m]	Cont. no.	Part no.	Type of cable	Dim. a[m]	

	All rights reserved Department EC PD - RO	All Dimensions in mm Original Size DIN A3	Scale 1:1	Free size tol.	Ref. Sub.
Created by MUNTEANV		Inspected by AVRAM	Standardisation HOFFMANN	Date 2016-03-03	State Final Release
Title HARTING PushPull RJ45 Cable Assembly			Doc-Key / ECM-Nr. 100155528/UGD/004/C 500000101154		Rev. C
HARTING Electronics GmbH D-32339 Espelkamp		Type TB	Number 094738000XX		Page 2/2