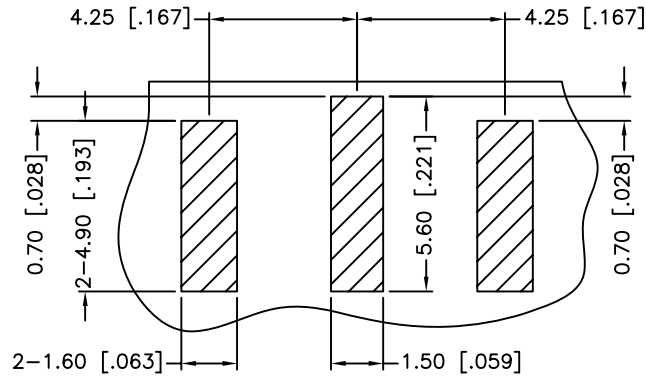
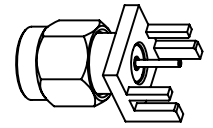
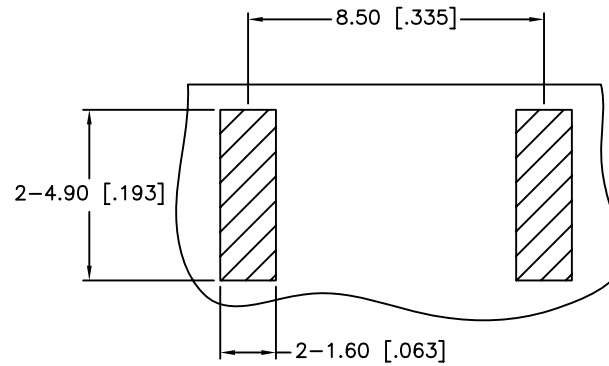


REV.	DATE	ECR NO.	DESCRIPTION
NC	03/30/04	XXXXXX	INITIAL RELEASE
A	10/22/13	2540	ADD RECOMMENDED PCB LAYOUT, UPDATE DRAWING FORMAT

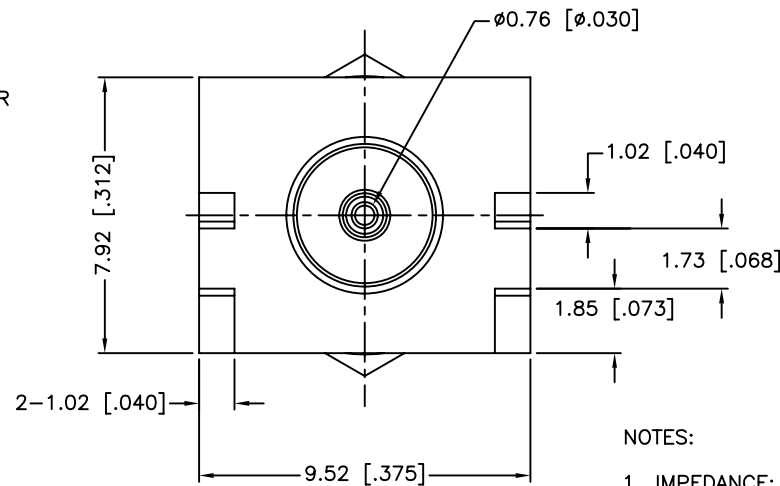
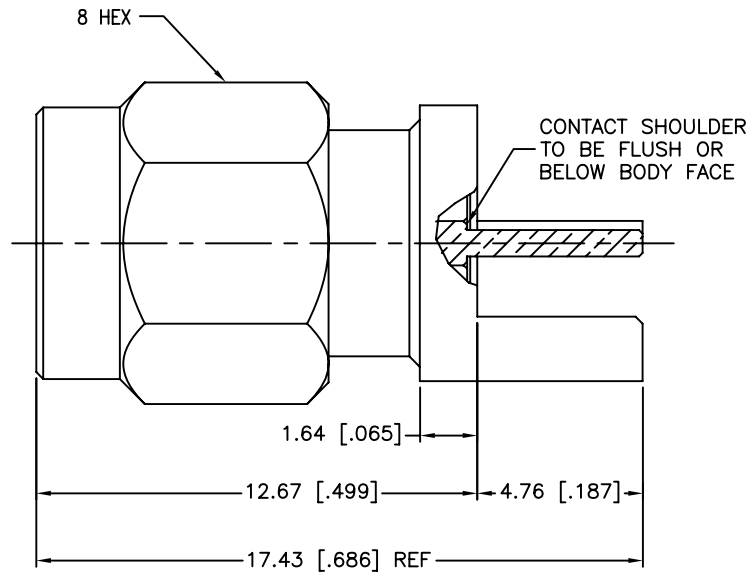


TOP VIEW

RECOMMENDED PCB LAYOUT



BOTTOM VIEW



NOTES:

1. IMPEDANCE: 50 OHM
2. FREQUENCY RANGE: DC-18 GHZ
3. DIELECTRIC WITHSTANDING VOLTAGE: 1000 VRMS, MIN.
4. DURABILITY: 500 CYCLES MIN.
5. TEMPERATURE RANGE: -65°C TO +165°C
6. BOARD THICKNESS=1.57 MM [.062"]

UNLESS OTHERWISE SPECIFIED DIMENSIONS ARE IN MILLIMETERS. DIMENSIONS IN [] ARE IN INCHES AND FOR CUSTOMER REFERENCE ONLY.

UNLESS OTHERWISE SPECIFIED TOLERANCES FOR MILLIMETERS ARE:
 <0.5 ± 0.05mm
 0.5 - 6mm ± 0.10mm
 6 - 30mm ± 0.20mm
 30 - 120mm ± 0.30mm
 ANGLES ± 1°

UNLESS OTHERWISE SPECIFIED TOLERANCES FOR INCHES ARE:
 <.020 ± 0.002"
 .020 - .236 ± 0.004"
 .236 - 1.180 ± 0.007"
 1.180 - 4.724 ± 0.012"
 ANGLES ± 1°

DO NOT SCALE DRAWING

APPROVALS		DATE
DRAWN	S.LI	10/22/13
CHECKED		
ISSUED		
SHEET	1 OF 1	
CAD FILE	C:/CONNEX/132366.DWG	

Amphenol Connex

PART DESCRIPTION			
SMA END LAUNCH RECEPT. PLUG (FOR .062" THICK PCB)			
PART NO.			
132366			
DWG. NO.	REV.	SIZE	SCALE
132366	A	A	NA

DESCRIPTION	MATERIAL	FINISH	QTY
6 RETAINING RING	STAINLESS STEEL	NATURAL	1
5 GASKET	SILICONE RUBBER	RED	1
4 SHELL	BRASS	GOLD	1
3 CONTACT PIN	BRASS	GOLD	1
2 INSULATOR	PTFE	NATURAL	1
1 BODY	BRASS	GOLD	1