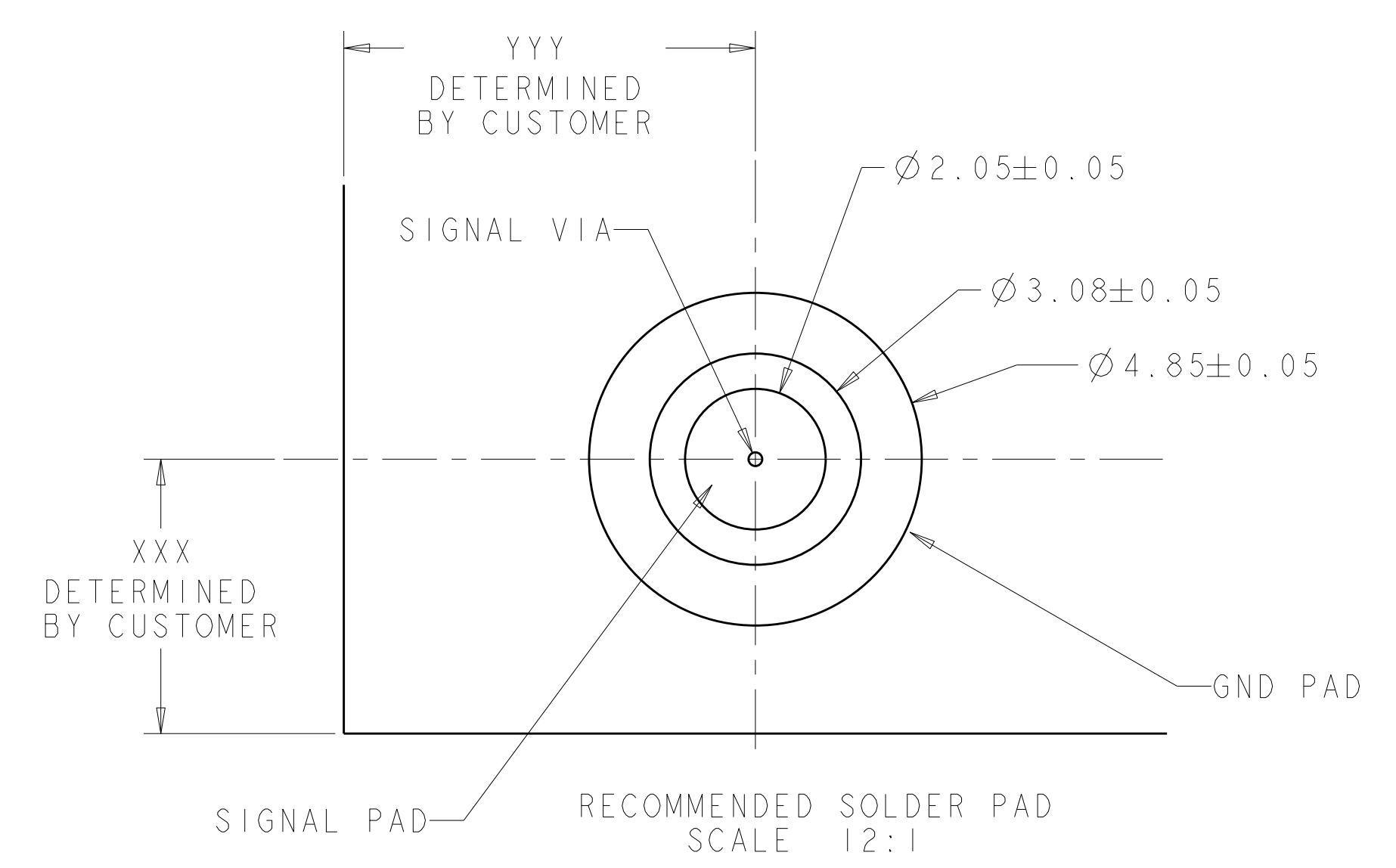
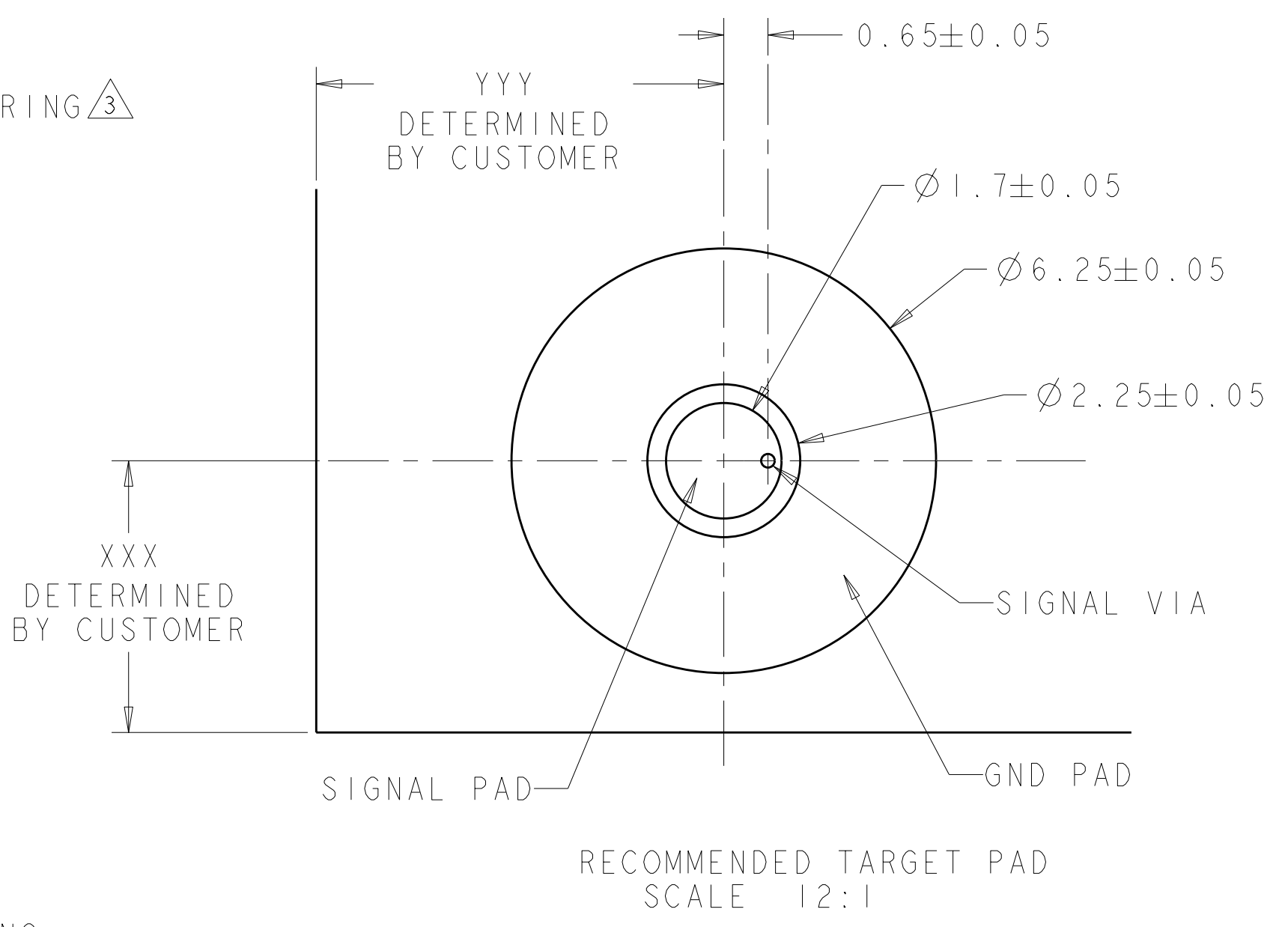
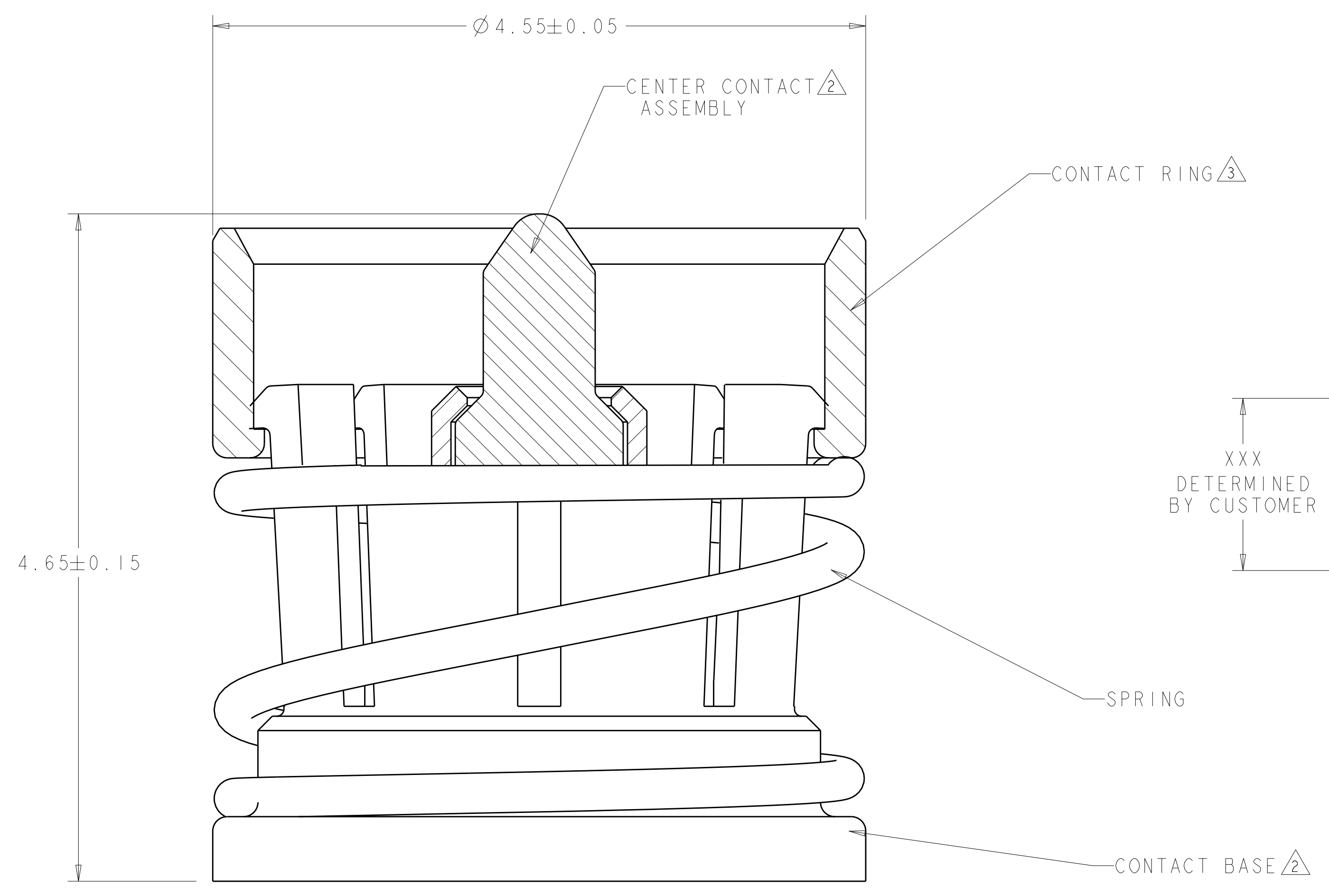
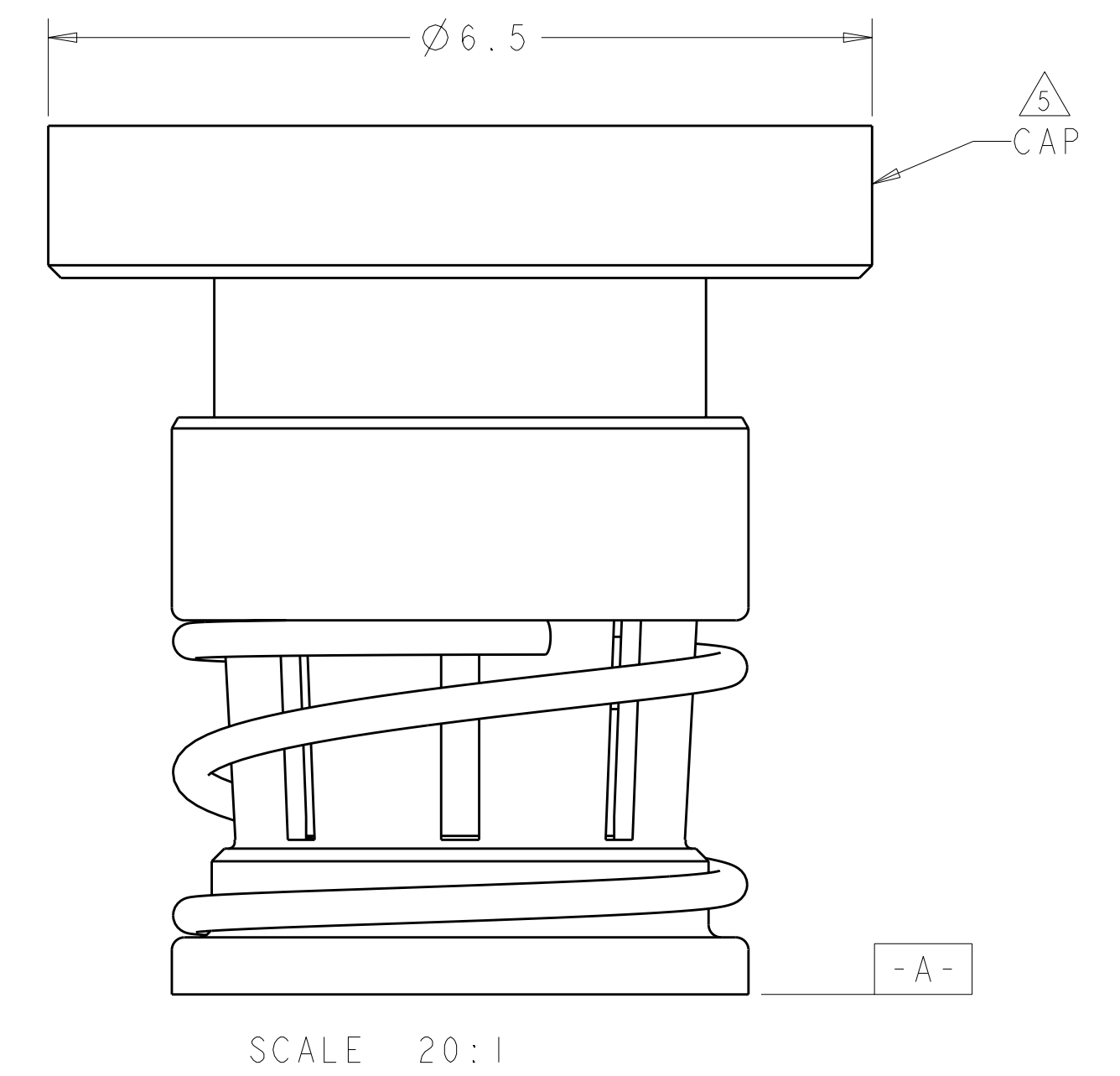
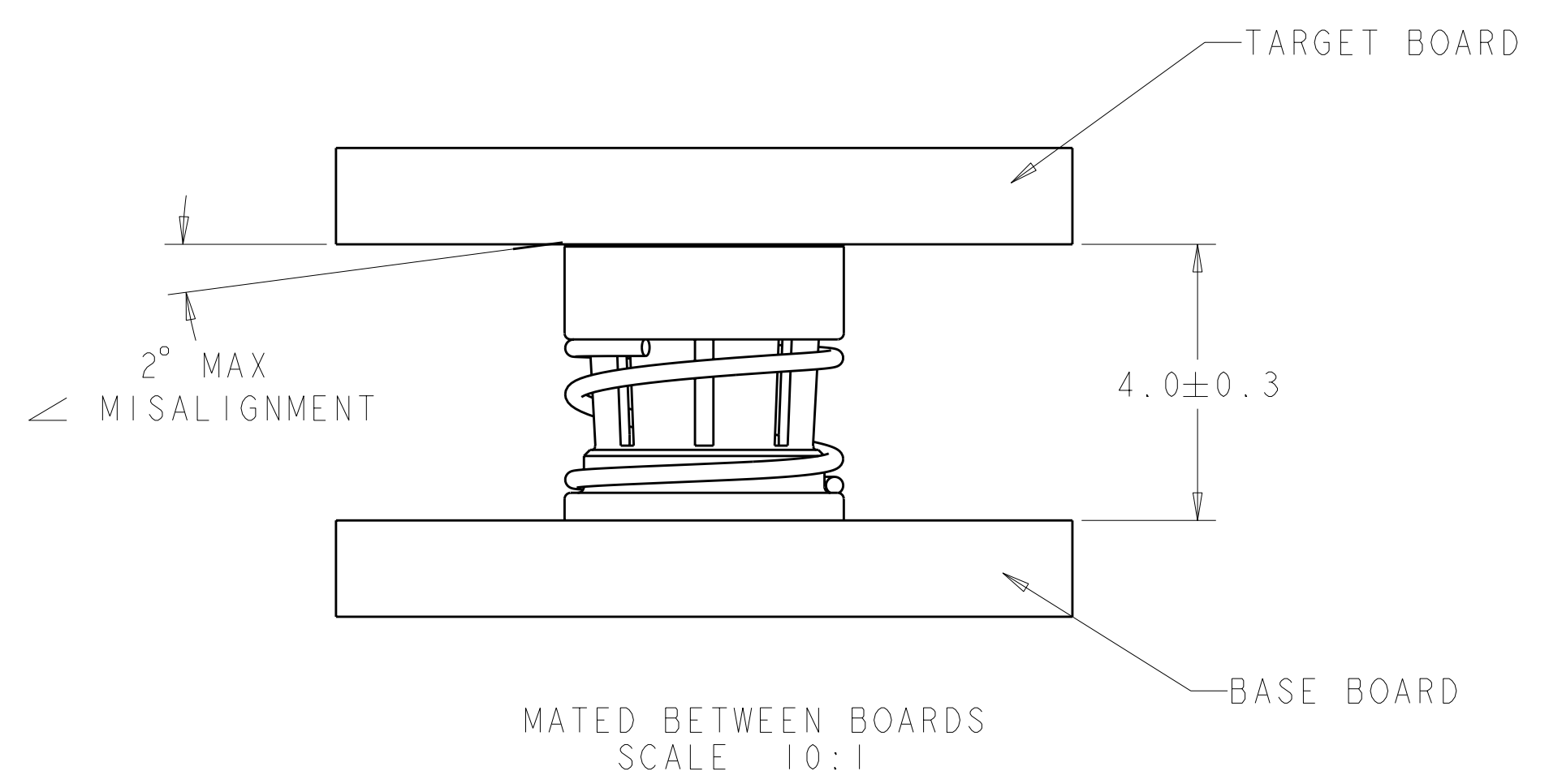
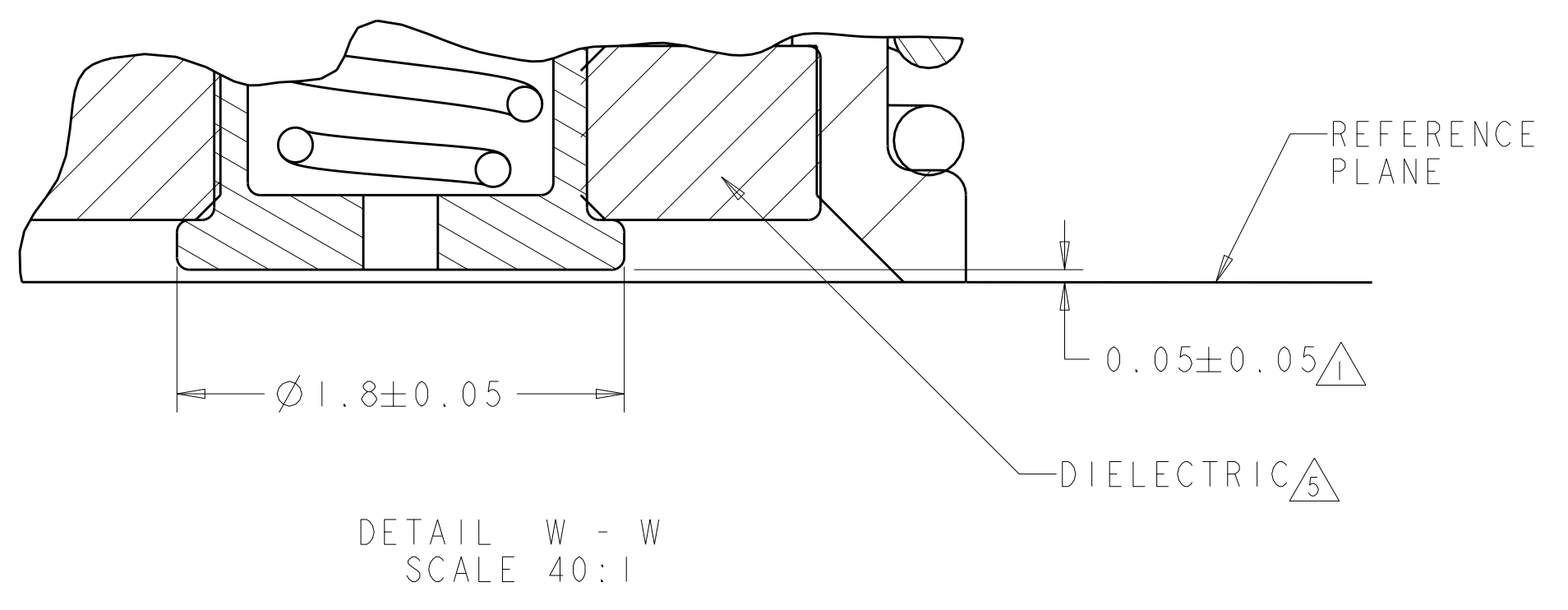
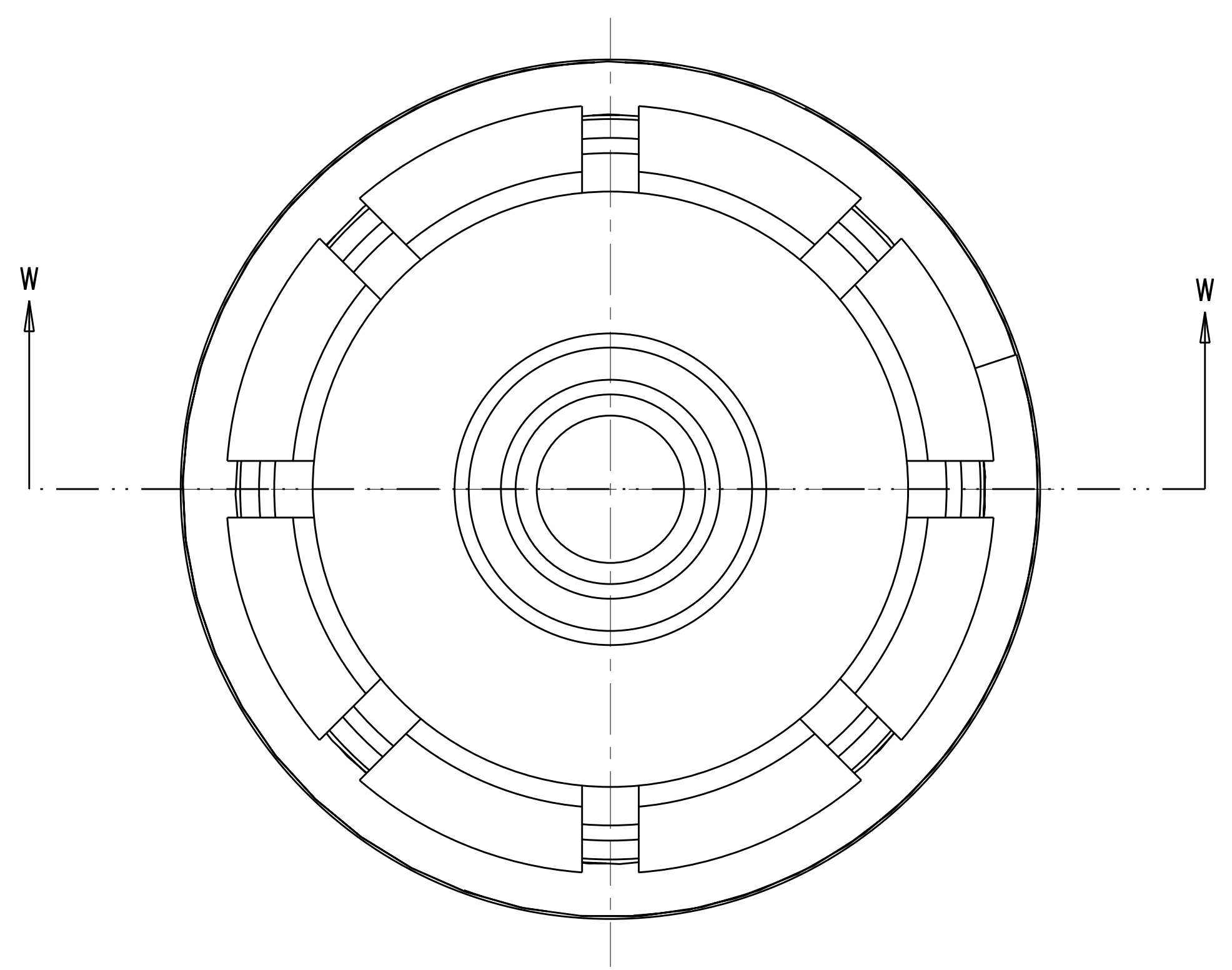


LOC	DIST	REV	DATE	BY	CHKD	APVD
AG	00	E1	24MAR2011	RK	HMR	

- 1 POSITION CENTER CONTACT
- 2 MATERIAL: PHOS - BRONZE, PLATING: 0.3 - 0.5 μm MIN GOLD OVER 4.0 - 6.0 μm MIN NICKEL.
- 3 MATERIAL: BRASS, PLATING: 0.3 - 0.5 μm MIN GOLD OVER 4.0 - 6.0 μm MIN NICKEL.
- 4 MISALIGNMENT BETWEEN CONNECTOR AXIS AND TARGET PAD, 0.80 mm MAX.
- 5 MATERIAL: PTFE

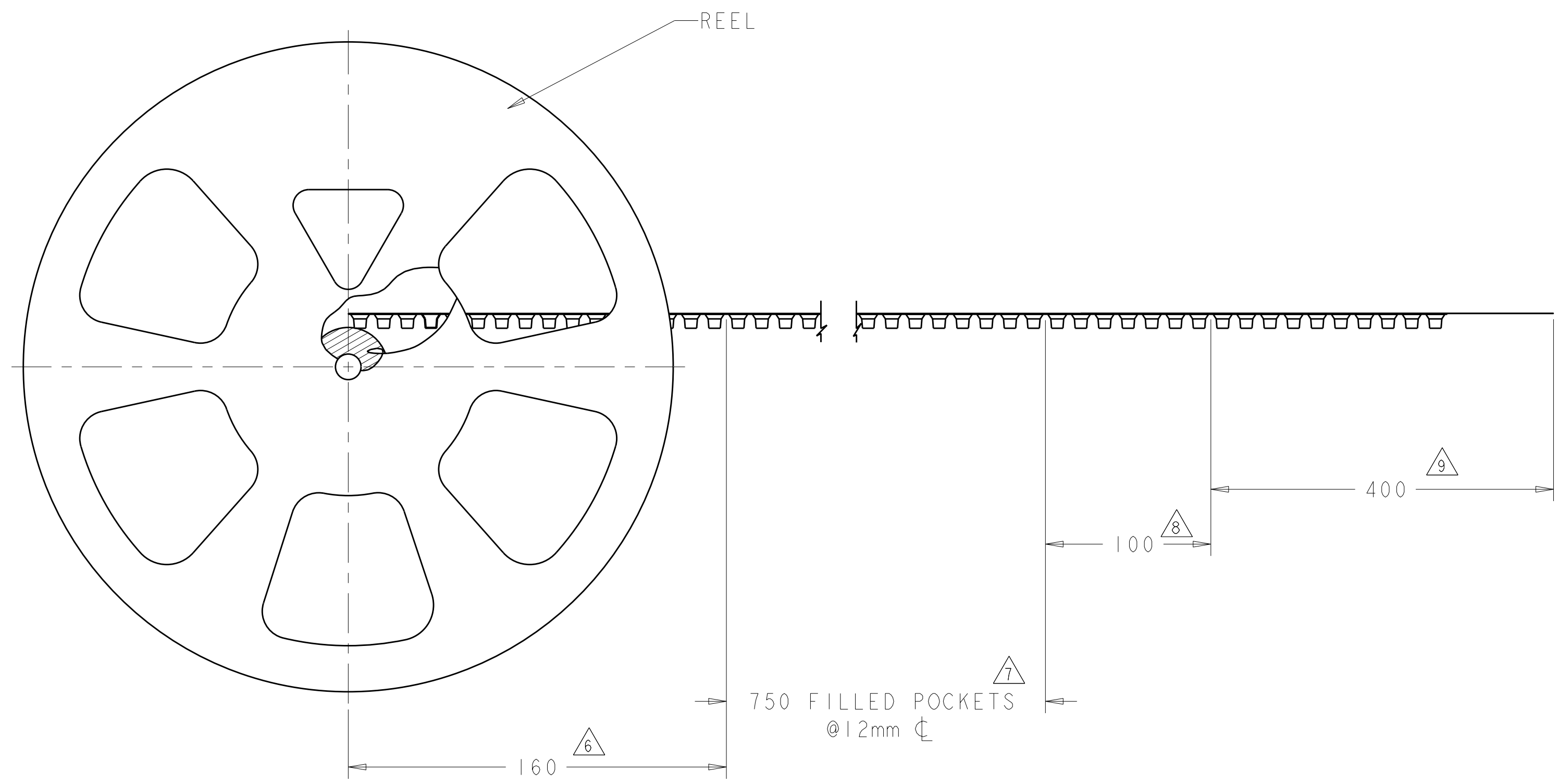
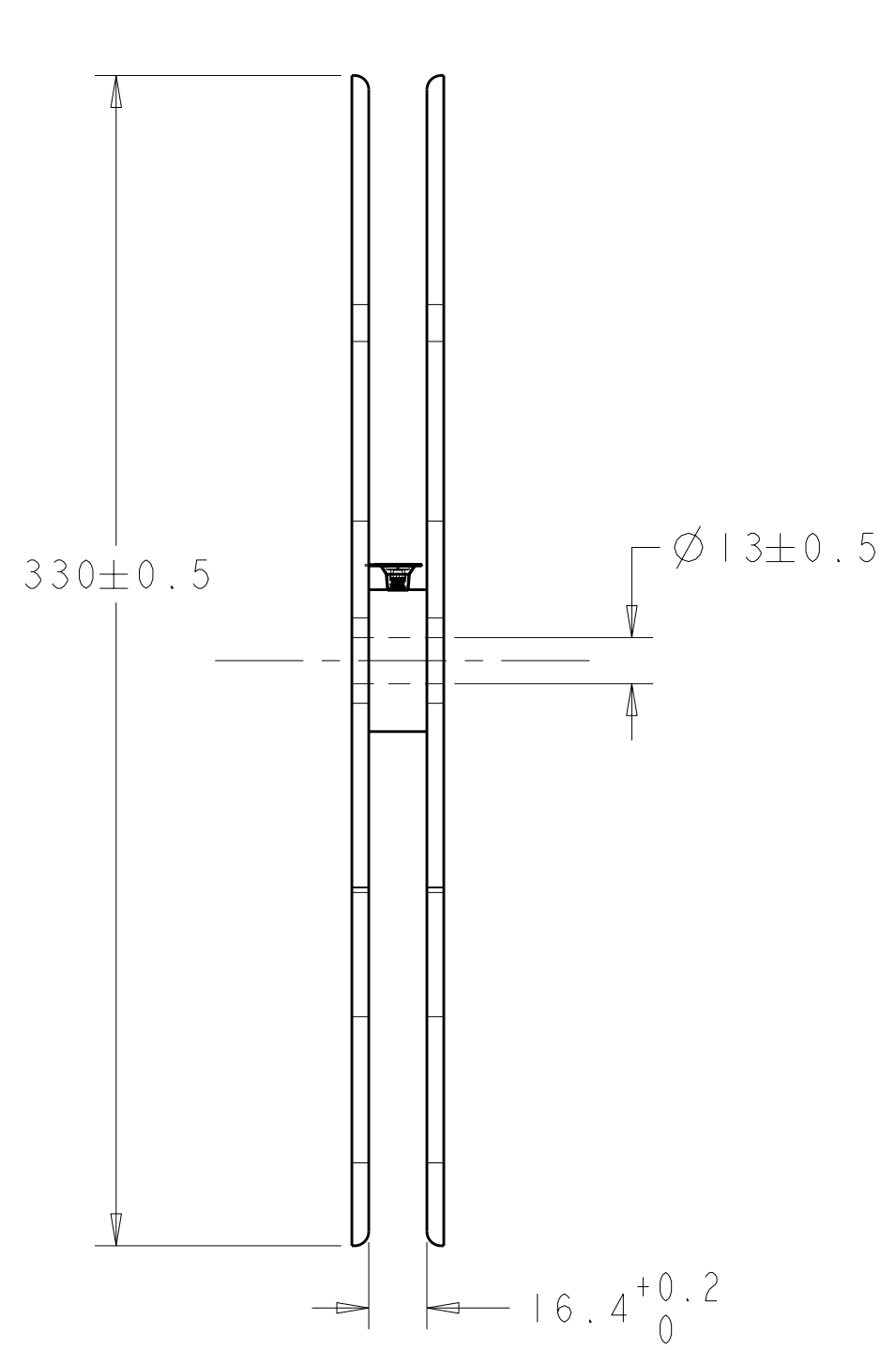
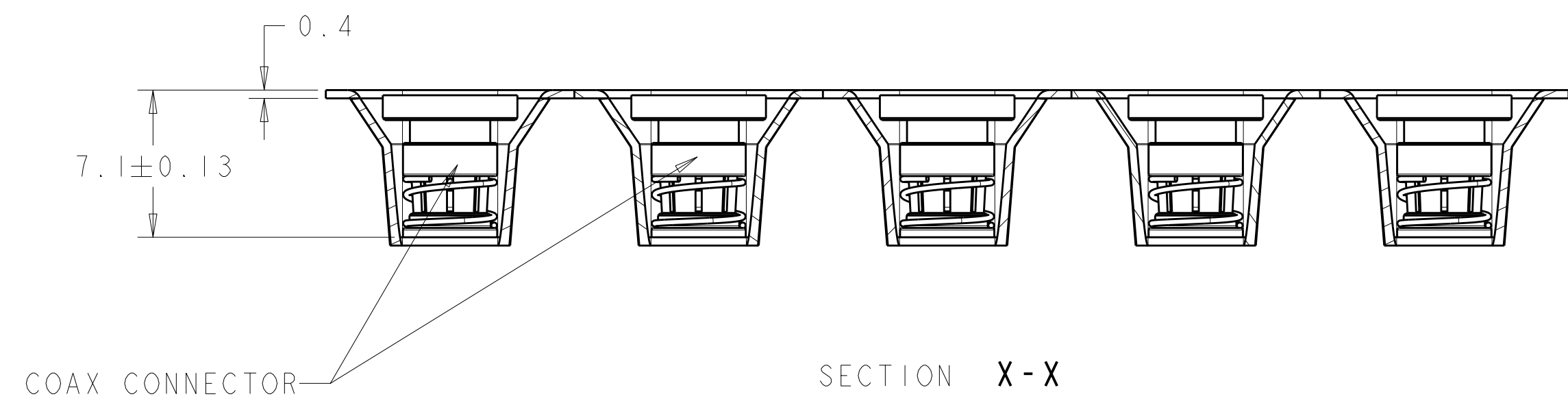
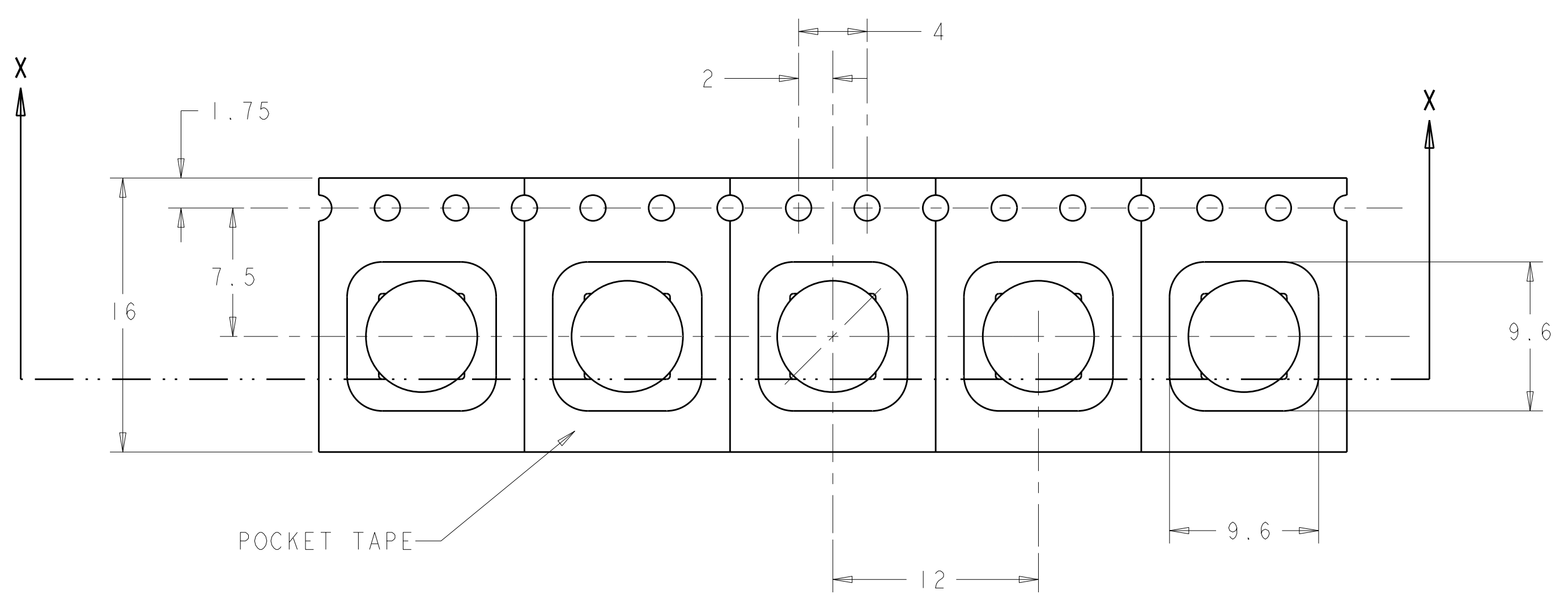


QTY	DESCRIPTION	PART NUMBER
750	REELED CONNECTOR	1658260-2
L/P	COAX CONNECTOR	1658260-1

THIS DRAWING IS A CONTROLLED DOCUMENT.

DIMENSIONS: mm 	TOLERANCES UNLESS OTHERWISE SPECIFIED: 0 PLC ± 1 PLC ±0.2 2 PLC ±0.05 3 PLC ± 4 PLC ± ANGLES ± FINISH ±	DWN: MM VAN SCIO 21JAN2003 CHK: M. PHILLIPS 21JAN2003 APVD: M. PHILLIPS 21JAN2003 PRODUCT SPEC APPLICATION SPEC WEIGHT CUSTOMER DRAWING	NAME: M. PHILLIPS SIZE: A1 CAGE CODE: 100779 DRAWING NO: C-1658260 SCALE: 40:1 SHEET: 1 OF 2 REV: E1	TE Connectivity CONNECTOR, COAXIAL, BOARD TO BOARD 4.0 mm HEIGHT
-----------------------	--	---	--	---

LOC	DIST	REVISIONS			
AG	00	REV	DATE	DWN	APVD
		-	SEE SHEET 1	-	-



- △ 6 TRAILER, EMPTY POCKETS WITH COVER TAPE.
- △ 7 CARRIER POCKETS FILLED WITH 1658260-2, WITH COVER TAPE.
- △ 8 LEADER, EMPTY POCKETS WITH COVER TAPE.
- △ 9 LEADER COVER TAPE.
- 10. REELED PRODUCT PER SPEC EIA 481

THIS DRAWING IS A CONTROLLED DOCUMENT.		DWN: WM VAN SCOIC 21JAN2003	TE Connectivity
DIMENSIONS: mm		CHK: M. PHILLIPS 21JAN2003	
TOLERANCES UNLESS OTHERWISE SPECIFIED:		APVD: M. PHILLIPS 21JAN2003	NAME: CONNECTOR, COAXIAL, BOARD TO BOARD 4.0 mm HEIGHT
0 PLC ±	1 PLC ±0.2	PRODUCT SPEC	SIZE: CAGE CODE: DRAWING NO: A100779C=1658260
2 PLC ±0.05	3 PLC ±	APPLICATION SPEC	RESTRICTED TO
4 PLC ±	ANGLES ±	WEIGHT	SCALE: 40:1 SHEET 2 OF 2 REV: E1
MATERIAL	FINISH	CUSTOMER DRAWING	