



PRODUCT NUMBER
20020626-XXXXXXLF

20020626-□ □ □ □ A 0 □ L F

PITCH
U : 10.16 mm

POLES
02 : 2 POLES
03 : 3 POLES
04 : 4 POLES
|
08 : 08 POLES

LF : DENOTED RoHS COMPATIBLE

1 : STANDARD PRODUCT
W/ BOX PACKING

HOUSING CODE

CODE	COLOR	AVAILABILITY
1	GREEN(RAL 6018/T)	STANDARD
2	BLACK	ON REQUEST ONLY
3	GREY(RAL 7004/P)	ON REQUEST ONLY
4	BLUE(RAL 5015/A)	ON REQUEST ONLY

PROPERTY TABLE	
FCI SERIES NAME	29-1016
PITCH (mm)	10.16
VOLTAGE RATING (VAC)	300
CURRENT RATING (A)	55
WITHSTANDING VOLTAGE (kV)	1.6
OPERATING TEMP. (°C)	-40~+115
SOLDERING TEMP. (°C)	250±10 (5 sec.)
POLES AVAILABLE	02~08
SAFETY CERTIFICATE	

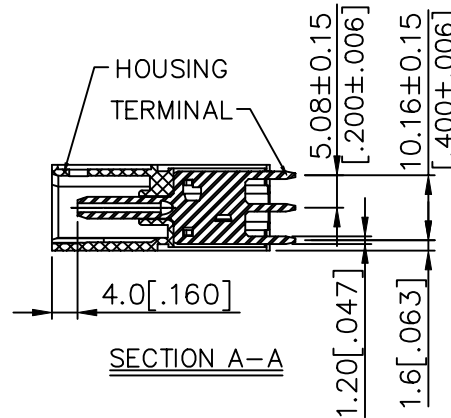
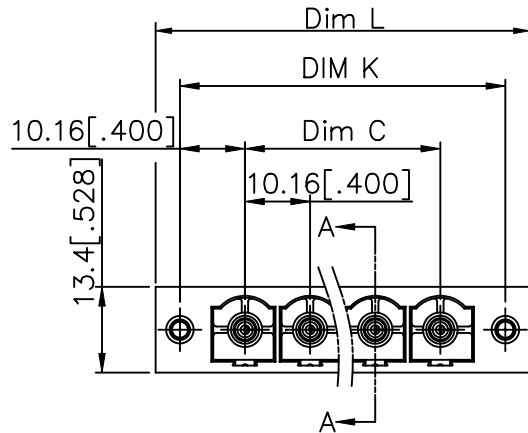
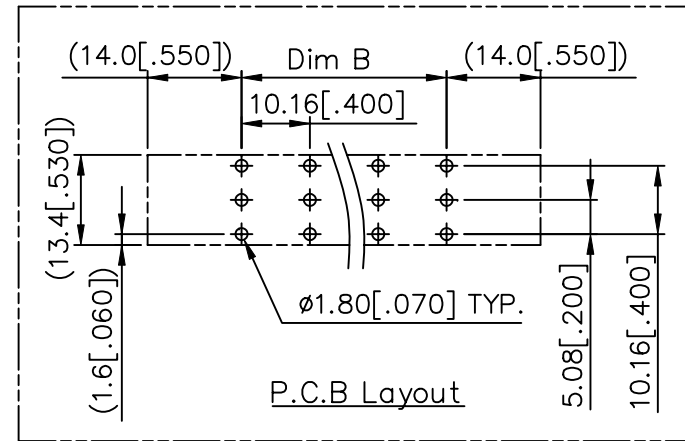
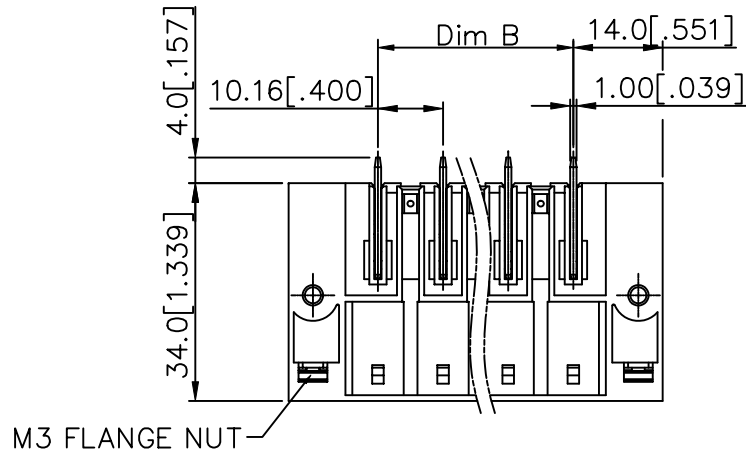
NOTES:

- MATERIALS
1-1 HOUSING: THERMALPLASTIC RESIN, UL 94V-0 RATED.
1-2 TERMINAL: COPPER ALLOY, GOLD PLATED.
- PRODUCTION SPECIFICATION REFER TO FCI GS-12-625.
- BOXED PACKAGING.
DETAILED PRODUCT PACKING SPECIFICATION REFER TO FCI GS-14-1394.
- FCI, SAFETY CERTIFICATE LOGO AND SERIES NAME TO BE SHOWN ON PRODUCT SURFACE.
- THE PRODUCTS WHERE THE PART NUMBER END IN "LF" MEET THE EUROPEAN UNION DIRECTIVE AND OTHER COUNTRY REGULATIONS AS DESCRIBED IN GS-22-008.
- RECOMENDED SOLDERING PROCESS BY WAVE SOLDER.

mat'l. code		surface ASME Y14.5 ✓		tolerance ASME Y14.5		projection		product family	
tolerances unless otherwise specified		X.±0.5		X.X±0.3		X.XX±0.1		TERMINAL BLOCK	
ltr	ecn no	dr	date	angles	to	of	to	title	
A	T10-0160	WL	101210					TERMINAL BLOCK	
B	T10-0187	WL	121410					PLUGGABLE SOCKET, POWER, W/FLANGE	
C	T-005285	WL	082311					STRAIGHT	
				dr		WENDY CHEN		093010	
				enr		JASON HSU		093010	
				chr		JASON HSU		093010	
				appd		JASON HSU		093010	
sheet index	revision sheet	C	C						
		1	2						
								sheet 1 of 2 size	
								20020626 A4	
								type CUSTOMER Drawing	



PRODUCT NUMBER	SERIES NAME	PITCH
20020626-UXXXXXXLF	29-1016	10.16 mm



DIMENSION:

Dim L	$N * 10.16 [.400] + 17.76 [.699]$
Dim B	$(N - 1) * 10.16 [.400]$
Dim C	$(N - 1) * 10.16 [.400]$
Dim K	$(N + 1) * 10.16 [.400]$

N=Number of contacts

Poles	Tolerance
2p-3p	$\pm 0.15 [.006]$
4p-6p	$\pm 0.25 [.010]$
7p-8p	$\pm 0.35 [.014]$

mat'l. code		surface ASME Y14.5	tolerance ASME Y14.5	projection 	product family TERMINAL BLOCK
ltr	ecn no dr	date		tolerances unless otherwise specified	title
c		angles in/at	X.±0.5 X.X±0.3 X.XX±0.1	MM [INCH]	TERMINAL BLOCK PLUGGABLE SOCKET, POWER, W/FLANGE STRAIGHT
		dr	WENDY CHEN 093010	scale	sheet 2 of 2 size
		enr	JASON HSU 093010		20020626 A4
		chr	JASON HSU 093010		
		appd	JASON HSU 093010		
sheet index	revision sheet				type CUSTOMER Drawing