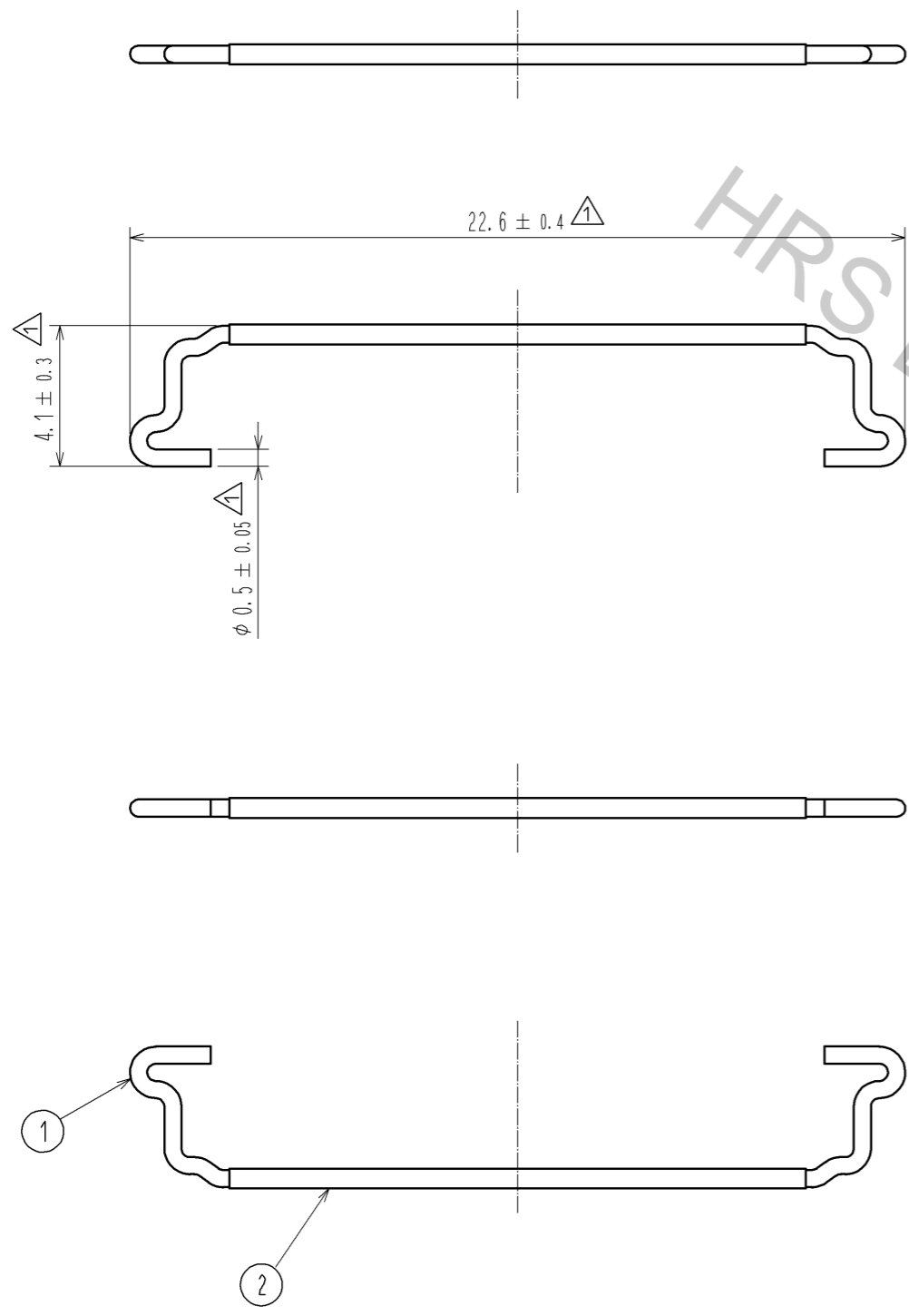
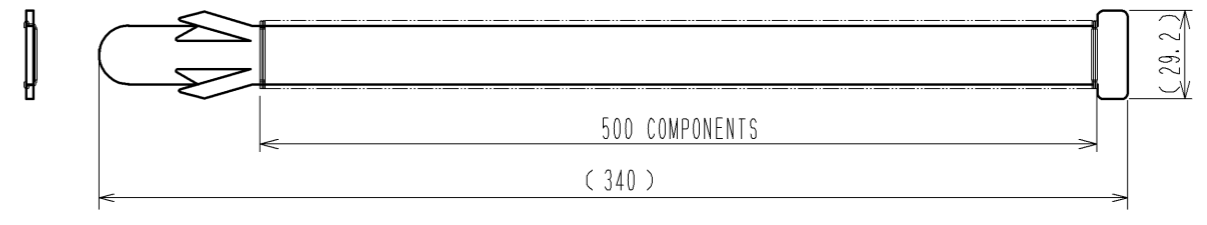


May.1.2017 Copyright 2017 HIROSE ELECTRIC CO., LTD. All Rights Reserved.



STICK STATE DRAWING (FREE)



NOTES

- 1. PER BOX:20 STICKS. PER STICK:500 COMPONENTS.
(1 BOX = 20 STICKS = 10,000 COMPONENTS)
- 2 THE DETAILS OF THE LABEL ARE SHOWN BELOW.
- 3 THE ASSEMBLY IS COMPLETED BY COMBINING THREE PARTS 'CONNECTOR UNIT, METAL SHIELDING' AND 'LATCH'. REFER TO THE TABLE FOR EACH ITEM No. PART NAME, PART No AND CODE No.
- 4. DIMENSIONS IN PARENTHESSES ARE FOR REFERENCE.

2 LABEL DETAILS FOR BOX (EXAMPLE)

HRS		INSPECTION 検査
CODE No. 品名コード	CL662-8109-9-00	
PART NO. 品名	DF81-40P-LCH	
QTY 数量	10,000 PCS	
PECULIAR 仕様		
Lot No		
SPLICE 継ぎ目		

2 LABEL DETAILS FOR STICK (EXAMPLE)

HRS		INSPECTION 検査
CODE No. 品名コード	CL662-8109-9-00	
PART NO. 品名	DF81-40P-LCH	
QTY 数量	500 PCS	
PECULIAR 仕様		
Lot No		
SPLICE 継ぎ目		

3

ITEM No.	PART NAME	PART No.	CODE No.
-	CONNECTOR UNIT	DF81D-40P-0.4SD(51)	CL662-8120-1-51
-	METAL SHIELDING	DF81-40P-SHL	CL662-8108-6-00
1.2	LATCH	DF81-40P-LCH	CL662-8109-9-00

1	SUS	NO TREATMENT	2	POLYESTER	BLACK
NO.	MATERIAL	FINISH . REMARKS	NO.	MATERIAL	FINISH . REMARKS
UNITS mm		SCALE 5 : 1	COUNT 4	DESCRIPTION OF REVISIONS DIS-D-002958	
HRS HIROSE ELECTRIC CO., LTD.		APPROVED : TS. SAKATA	12.11.09	DESIGNED	AH.MIYAZAKI
		CHECED : HS. OZAWA	12.11.08	CHECKED	TS. SAKATA
		DESIGNED : TP. MATSUMOTO	12.11.08	DATE	13.07.03
		DRAWN : TP. MATSUMOTO	12.11.08	DRAWING NO. EDC3-345355-01	
				PART NO. DF81-40P-LCH	
				CODE NO. CL662-8109-9-00	