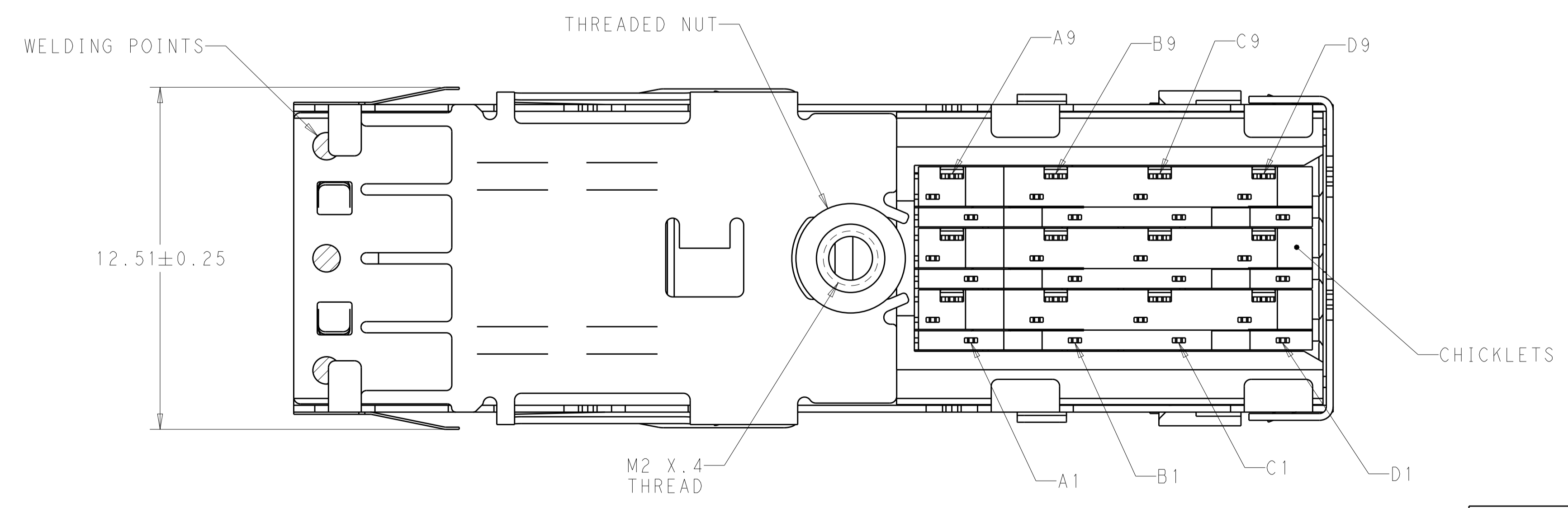
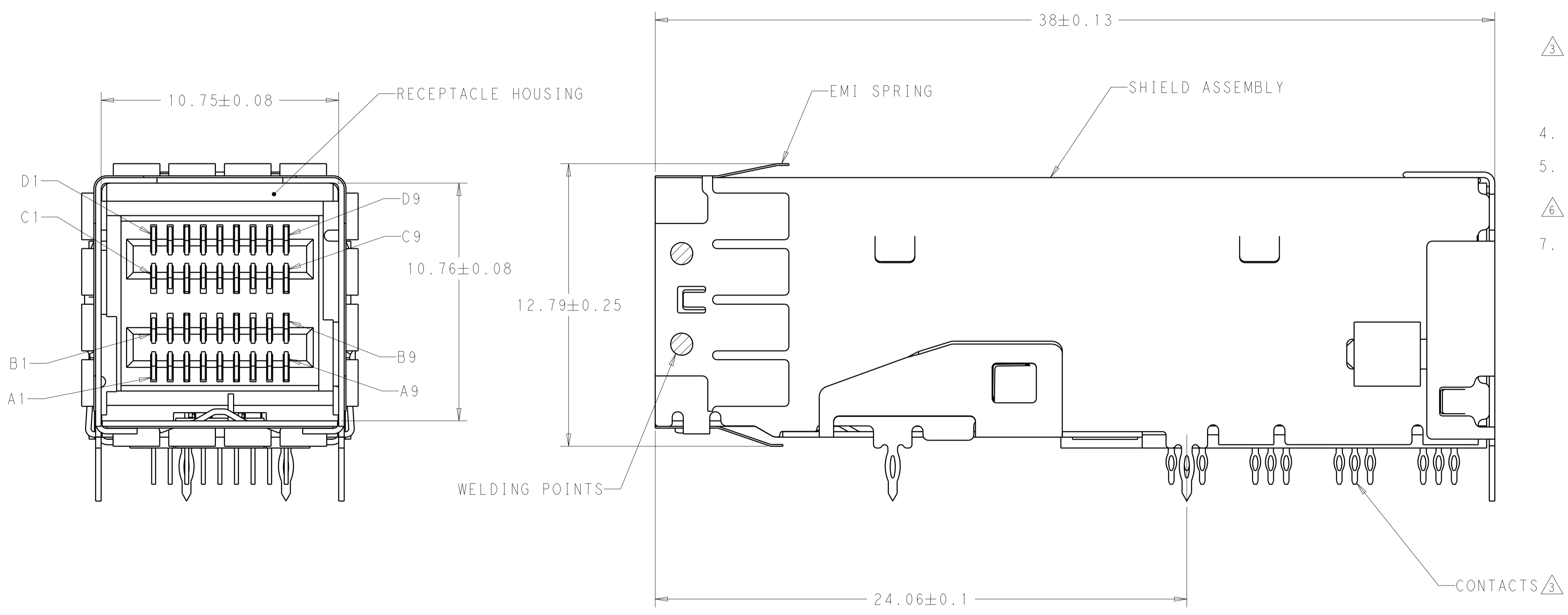


| LOC | | DIST | | REVISIONS | | | |
|-----|--|------|--|--------------------------|-----------|----|-----|
| GP | | 00 | | REV | DATE | BY | CHK |
| A | | | | REVISD PER ECO-14-018497 | 17DEC2014 | AP | DG |
| B | | | | REVISD PER ECO-16-006997 | 09MAY2016 | JY | SH |
| C | | | | REVISD PER ECO-16-014136 | 07AUG2016 | JY | SH |

- MATERIALS
 RECEPTACLE HOUSING, LCP, BLACK, UL94V-0 RATED
 SHIELD ASSEMBLY: NICKEL SILVER COPPER ALLOY
 CONTACTS: COPPER ALLOY
 EMI SPRING: COPPER ALLOY
 THREADED NUT: BRASS
 CHICKLETS: LCP, BLACK, UL 94V-0 RATED
- FINISH
 EMI SPRING: TIN PLATE OVER NICKEL PLATE
 OR NICKEL PLATE
 NON-PLATED EDGES PERMISSABLE
 THREADED NUT: NICKEL PLATE
- CONTACT FINISH: CONFORMS TO THE REQUIREMENTS OF TE PRODUCT SPECIFICATION, 108-2462. BASED ON EIA/ECA-364-1000.01A. (CONTROLLED ENVIRONMENT APPLICATIONS) ON MATING END. TIN PLATED ON PCB TAIL
- THREAD LENGTH OF FASTENER = PCB THICKNESS + 1.45 MAX
- THIS PRODUCT HAS NOT COMPLETED VALIDATION/QUALIFICATION TESTING
- RECOMMENDED TRACE KEEP OUT ZONE
- WELDING POINTS ARE IN APPROXIMATE LOCATION.

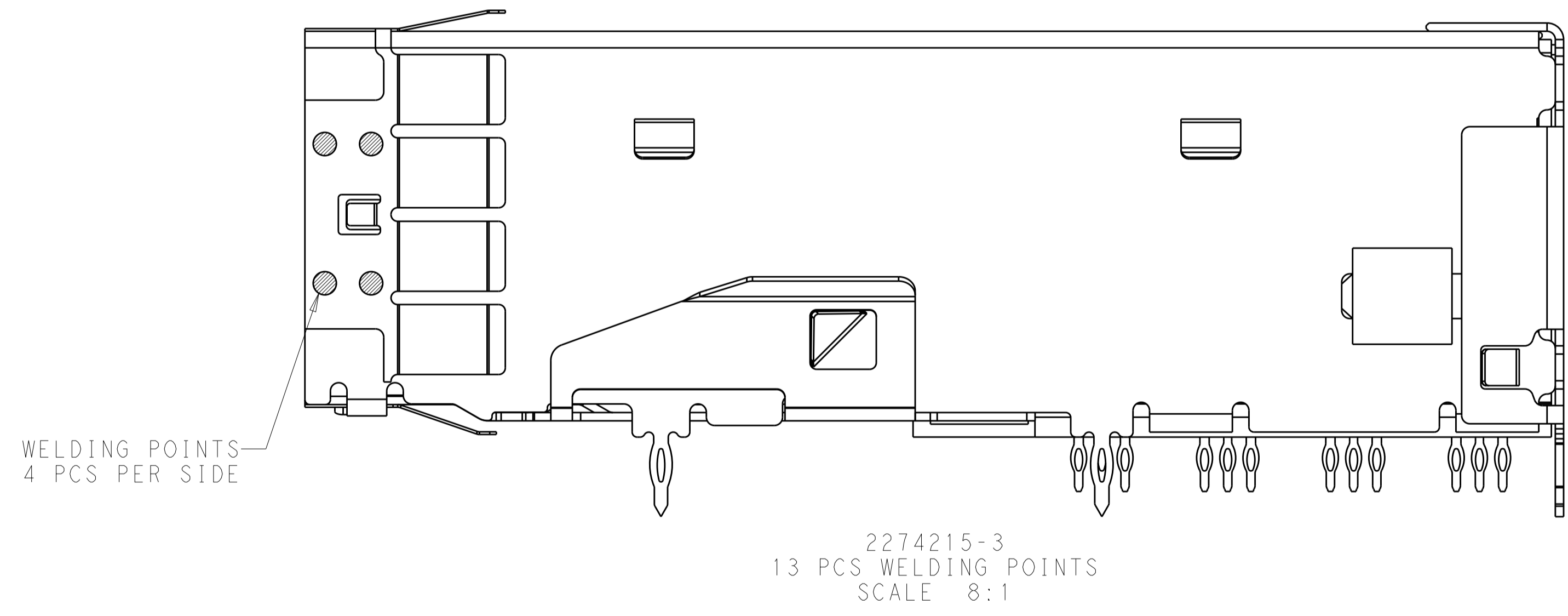
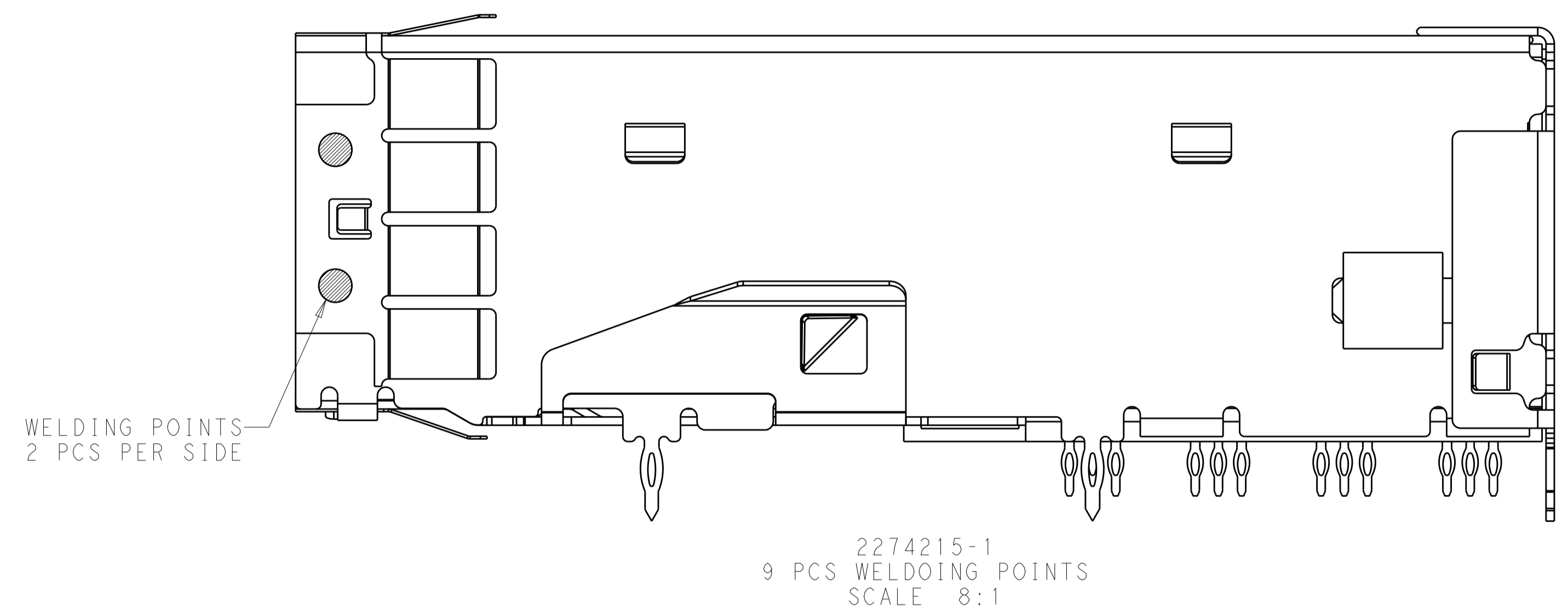


| | | |
|----------------|-------------------|-------------|
| 13 PCS | NICKEL | 2274215-3 |
| 9 PCS | TIN OVER NICKEL | 2274215-1 |
| WELDING POINTS | FINISH EMI SPRING | PART NUMBER |

THIS DRAWING IS A CONTROLLED DOCUMENT.

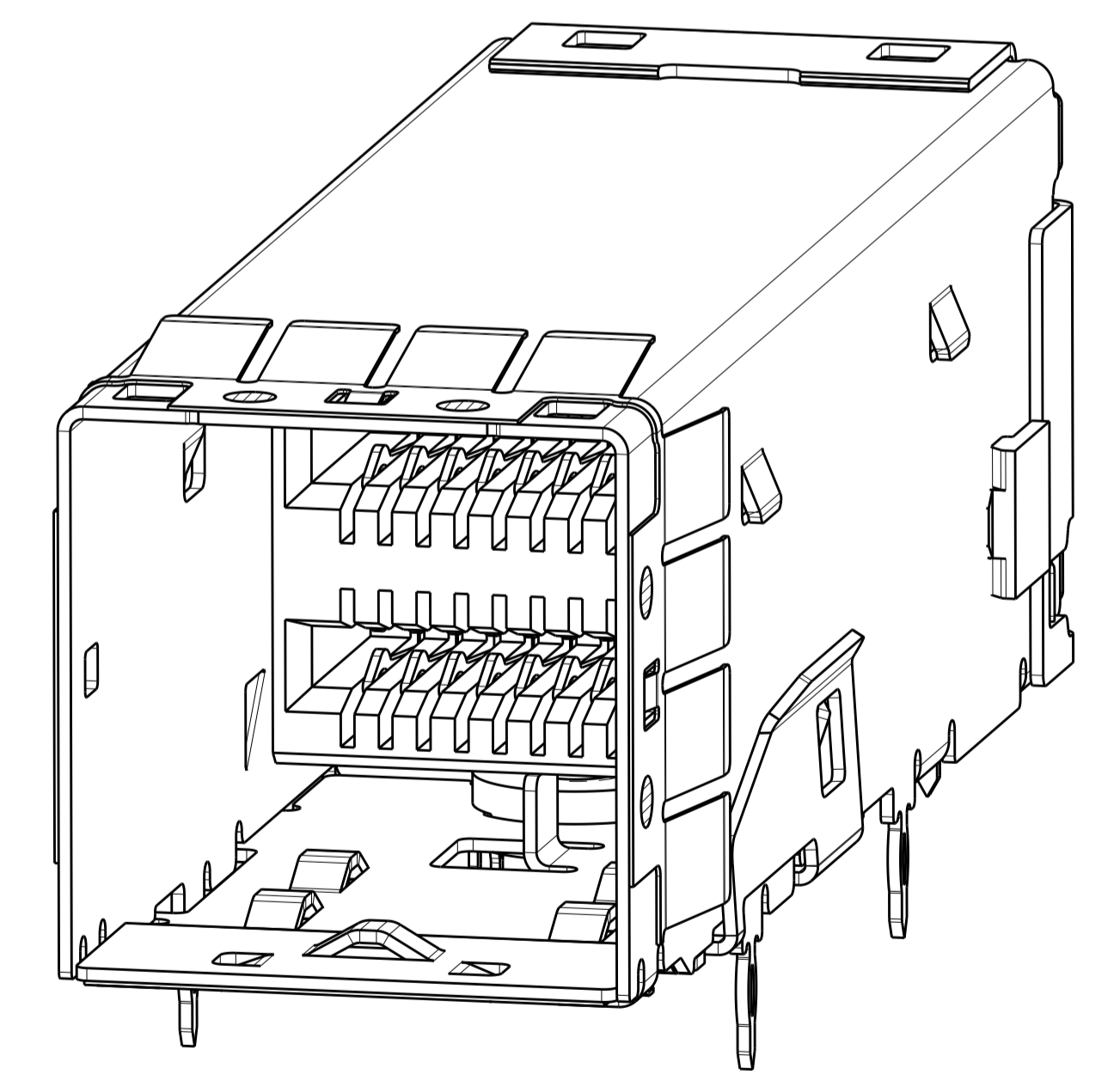
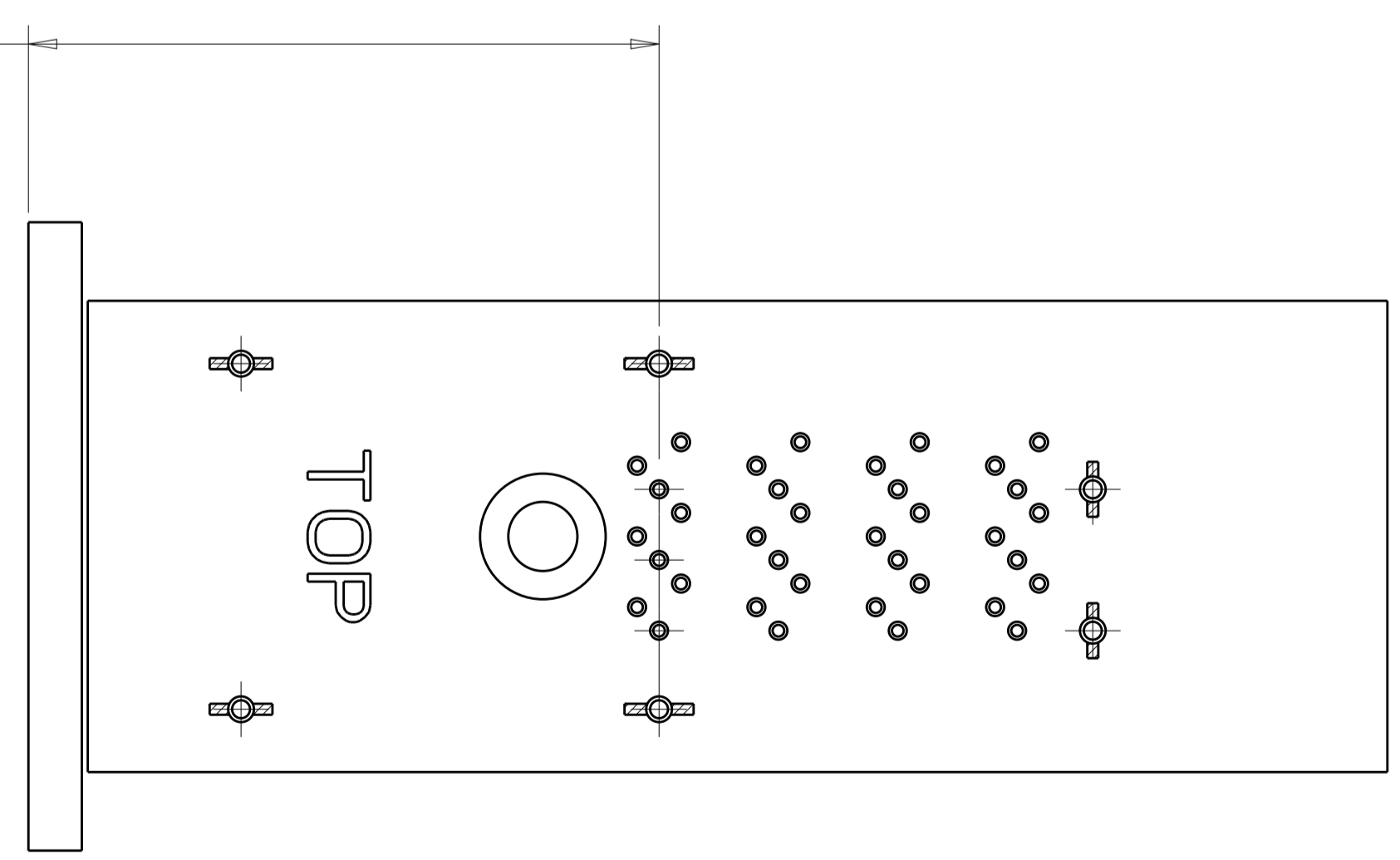
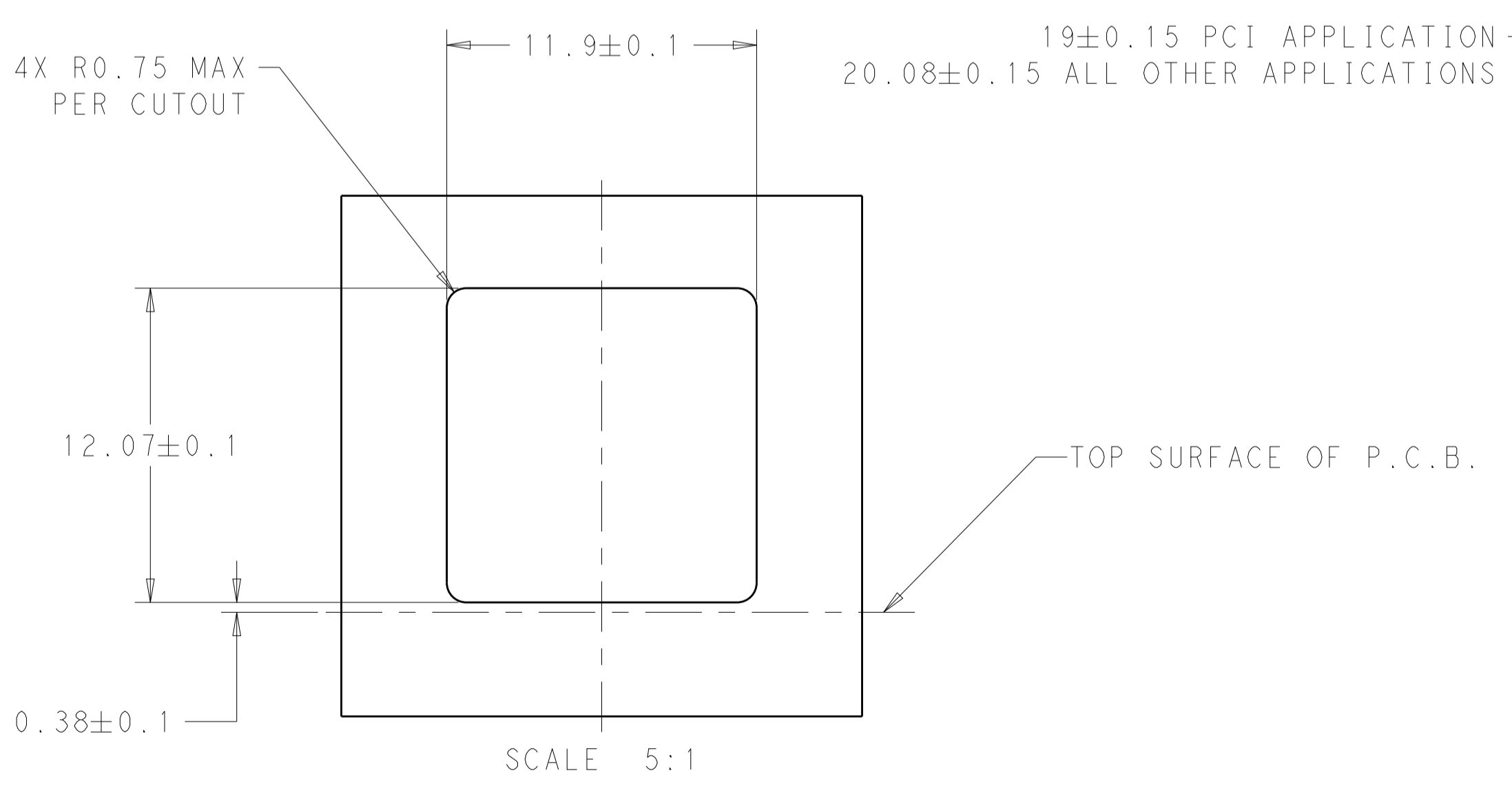
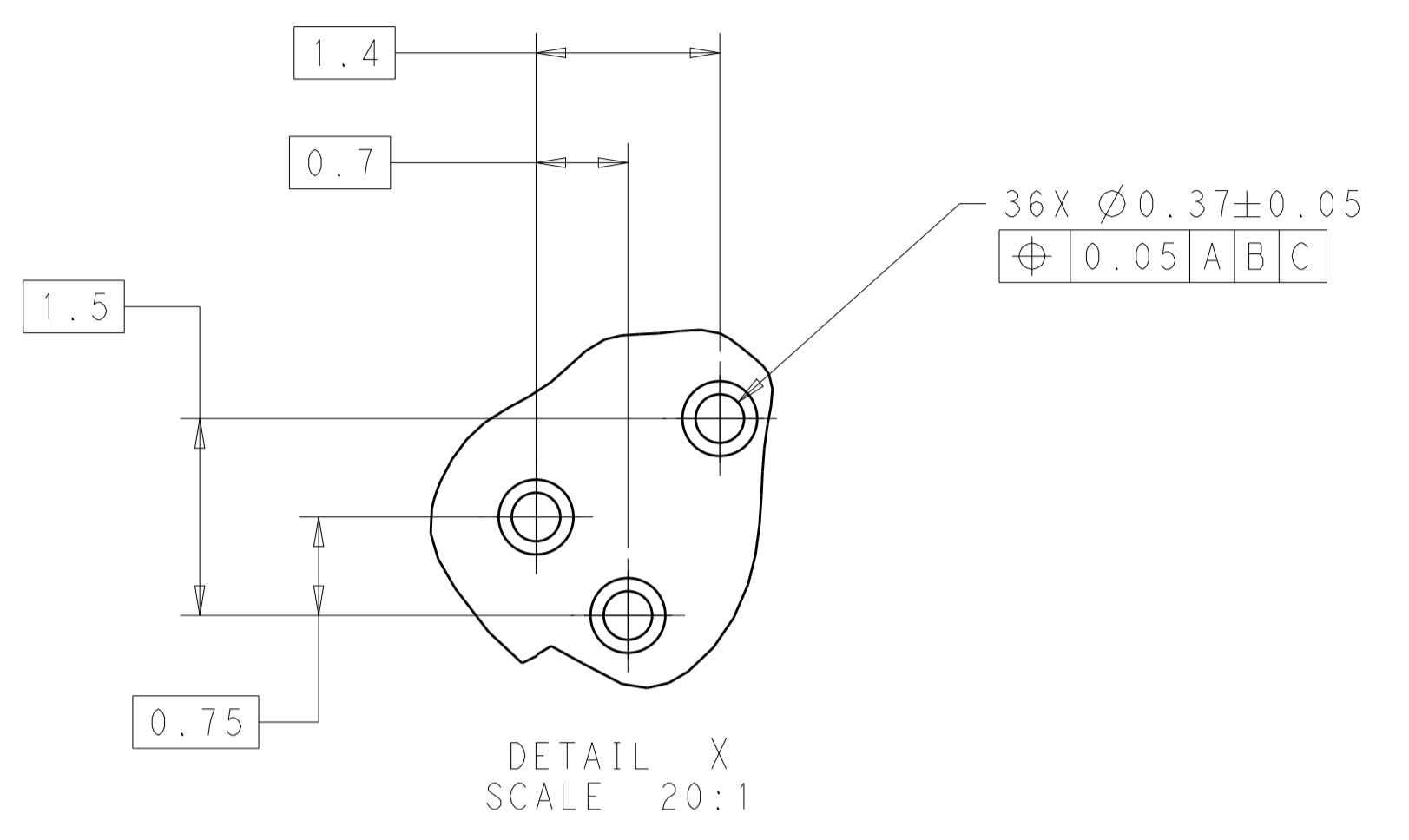
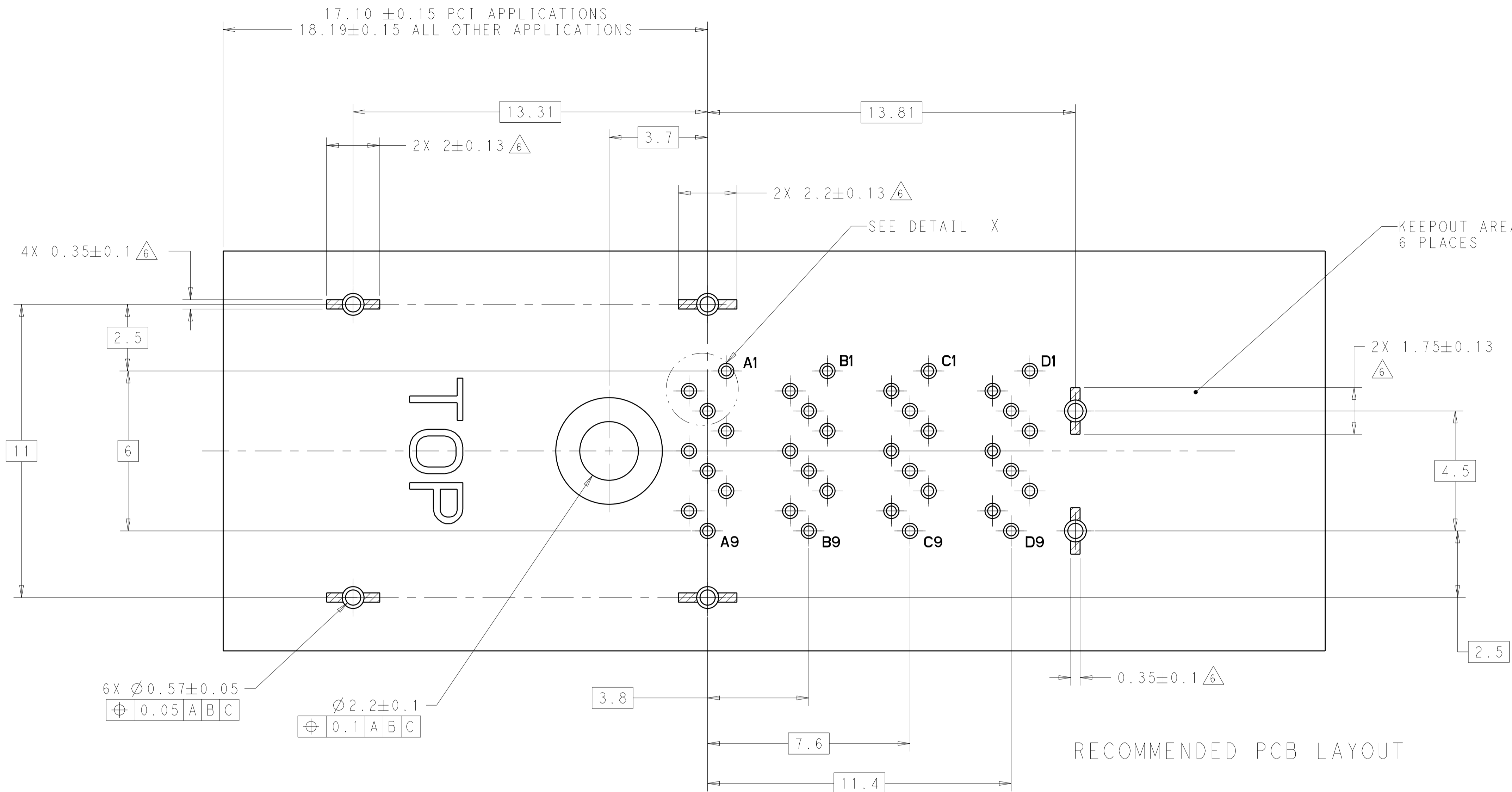
| | | | | | |
|-------------|--|------------------------------|-----------------------------|----------------------------|--|
| DIMENSIONS: | TOLERANCES UNLESS OTHERWISE SPECIFIED: | OWN: C. VALENTINE 21AUG23013 | CHK: D. GORENC 21AUG23013 | APVD: D. GORENC 21AUG23013 | NAME: RECEPTACLE ASSEMBLY, MINI-SAS HD |
| mm | 0 PLC ±0.13 | PRODUCT SPEC: 108-2462 | APPLICATION SPEC: 114-13316 | WEIGHT: - | SIZE: A1 |
| | 1 PLC ± | RESTRICTED TO: - | CUSTOMER DRAWING | SCALE: 8:1 | SHEET 1 OF 3 |
| | 2 PLC ± | | | | REV C |
| | 3 PLC ± | | | | |
| | 4 PLC ± | | | | |
| | ANGLES ± | | | | |
| MATERIAL: - | FINISH: - | | | | |

| LOC | DIST | REVISIONS | | | |
|-----|------|-------------|------|-----|------|
| P. | LTH | DESCRIPTION | DATE | DWN | APVD |
| - | - | SEE SHEET 1 | - | - | - |
| | | | | | |
| | | | | | |



| | | | |
|--|--|-----------------------------------|--|
| THIS DRAWING IS A CONTROLLED DOCUMENT. | | DWN C. VALENTINE 21AUG23013 | |
| DIMENSIONS: | | CHK D. GORENC 21AUG23013 | |
| mm | TOLERANCES UNLESS OTHERWISE SPECIFIED: | APVD D. GORENC 21AUG23013 | NAME RECEPTACLE ASSEMBLY, MINI-SAS HD |
| 0 PLC ±0.13 | 1 PLC ±" | PRODUCT SPEC | SIZE CAGE CODE DRAWING NO |
| 2 PLC ±" | 3 PLC ±" | 108-2462 | A100779C=2274215 |
| 4 PLC ±" | ANGLES ±" | APPLICATION SPEC | RESTRICTED TO |
| 114-13316 | FINISH | WEIGHT | SCALE 8:1 SHEET 2 OF 3 REV C |
| MATERIAL | | CUSTOMER DRAWING | |

| LOC | DIST | REV | DESCRIPTION | DATE | OWN | APVD |
|-----|------|-----|-------------|------|-----|------|
| | | | SEE SHEET 1 | | | |



| | | | |
|--|--|------------------------------|---|
| THIS DRAWING IS A CONTROLLED DOCUMENT. | | OWN: C. VALENTINE 21AUG23013 | TE Connectivity NAME: RECEPTACLE ASSEMBLY, MINI-SAS HD |
| DIMENSIONS: mm | | CHK: D. GORENC 21AUG23013 | |
| TOLERANCES UNLESS OTHERWISE SPECIFIED: | | APVD: D. GORENC 21AUG23013 | PRODUCT SPEC: 108-2462 |
| 0 PLC ±0.13 1 PLC ±" 2 PLC ±" 3 PLC ±" 4 PLC ±" ANGLES ±" | | APPLICATION SPEC: 114-13316 | SIZE: A1 |
| MATERIAL: - | | WEIGHT: - | SCALE: 8:1 |
| FINISH: - | | CUSTOMER DRAWING | SHEET 3 OF 3 |