



HAMMOND  
MANUFACTURING™



**ROLEC®**

**..protects.**



Mr. Friedhelm Rose, Ms. Betty Rose, Mr. Matthias Rose.

Hammond Manufacturing is proud to be the exclusive North American sales partner of ROLEC Gehäuse-Systeme GmbH of Germany.

ROLEC was founded in 1987 by Mr. Friedhelm Rose and his son, Mr. Matthias Rose. Mr. Friedhelm Rose developed the first water and dust-tight enclosures over 40 years ago, establishing the very basis of the electronic enclosure industry in Germany. Following Mr. Friedhelm Rose's retirement, ROLEC is successfully managed by second generation of the Rose family, Mr. Matthias Rose and Ms. Betty Rose. ROLEC continues to offer innovative enclosure solutions of the highest quality, living up to their motto of "Enclosures are our passion."

Hammond Manufacturing carries an extensive inventory of ROLEC enclosure products in our 90,000 square foot North American distribution centre. ROLEC enclosure products are available through the complete Hammond Manufacturing distributor network.



Hammond North American Distribution Centre

# INDEX

## DIECAST ALUMINUM

### aluCASE

|                              |   |
|------------------------------|---|
| Specifications. . . . .      | 4 |
| R190 & R191 Series . . . . . | 5 |

### aluNORM

|  |   |
|--|---|
| Specifications. . . . .                        | 6 |
| R100 Series - Shallow Lid, Deep Body . . . . . | 7 |
| R101 Series - Deep Lid, Shallow Body . . . . . | 8 |
| R102 Series - Deep Lid, Deep Body. . . . .     | 9 |

### conFORM

|                             |    |
|-----------------------------|----|
| Specifications. . . . .     | 10 |
| R110, R111 Series . . . . . | 11 |

### handCASE

|                             |    |
|-----------------------------|----|
| Specifications. . . . .     | 12 |
| R270, R271 Series . . . . . | 13 |

## EXTRUDED ALUMINUM

### mobileCASE

|                             |    |
|-----------------------------|----|
| Specifications. . . . .     | 14 |
| R250, R251 Series . . . . . | 15 |
| Accessories . . . . .       | 16 |

## NON-METALLIC

### starCASE

|                         |    |
|-------------------------|----|
| Specifications. . . . . | 18 |
| R230 Series. . . . .    | 19 |

### technoBOX

|                         |    |
|-------------------------|----|
| Specifications. . . . . | 20 |
| R220 Series. . . . .    | 21 |

### technoCASE

|   |    |
|---|----|
| R200, R201 Series - ABS Plastic . . . . .   | 22 |
| R210, R211 Series - Polycarbonate . . . . . | 23 |

### polyTOP

|                          |    |
|--------------------------|----|
| Specifications . . . . . | 24 |
| R132 Series. . . . .     | 25 |

### polyDOOR

|                             |    |
|-----------------------------|----|
| Specifications. . . . .     | 26 |
| R130, R131 Series . . . . . | 27 |

# aluCASE

## Specifications

Diecast Aluminum



## Key Features

- Modern, high quality instrument enclosure
- Material - Aluminum die-cast: GD SI 12 / DIN 1725
- Shallow lid, deep body
- Captive stainless steel lid screws
- Enclosure can be mounted after closing lid
- Integrated 1.7 mm recess in lid for membrane keypads and front panels
- Neoprene oil and petrol resistant - thermoplastic gasket standard. (-40°C up to +120°C)
- Clip-on design covers - to hide mounting & lid screws (plastic - polyoxymethylene) - grey RAL 7040
- Complete with lid captivation devices
- Degree of protection: NEMA 4X, IP67
- Textured polyester powder coat, grey RAL 7040. (can be supplied unpainted on special order)



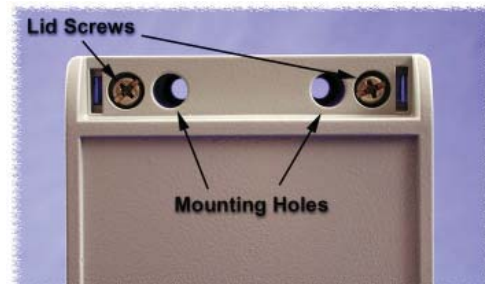
Enclosure can be installed after closing lid



Includes optional use lid captivation straps



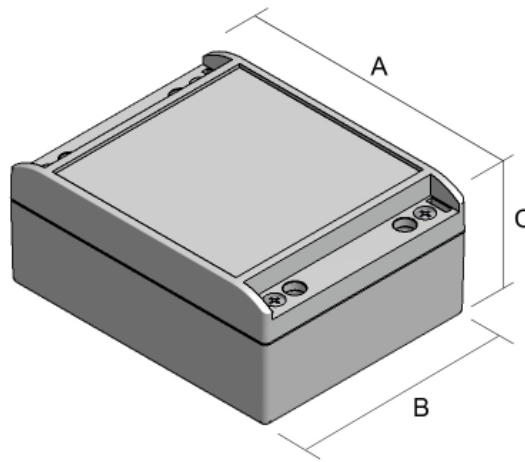
Snap in design covers hide both lid screws and installation holes



- Dual channel construction
- Mounting holes accessible with lid closed
- All holes outside of gasket seal.

## aluCASE

R190 & R191 Series



Diecast Aluminum

| Part No.     | Units       | Width | Length | Height<br>(Including Lid) |
|--------------|-------------|-------|--------|---------------------------|
|              |             | A     | B      | C                         |
| R191-090-000 | mm          | 90    | 120    | 60                        |
|              | <i>inch</i> | 3.5   | 4.7    | 2.4                       |
| R191-092-000 | mm          | 90    | 160    | 60                        |
|              | <i>inch</i> | 3.5   | 6.3    | 2.4                       |
| R190-110-000 | mm          | 110   | 140    | 60                        |
|              | <i>inch</i> | 4.3   | 5.5    | 2.4                       |
| R190-112-000 | mm          | 110   | 200    | 60                        |
|              | <i>inch</i> | 4.3   | 7.9    | 2.4                       |
| R190-130-000 | mm          | 130   | 160    | 70                        |
|              | <i>inch</i> | 5.1   | 6.3    | 2.8                       |
| R190-132-000 | mm          | 130   | 220    | 70                        |
|              | <i>inch</i> | 5.1   | 8.7    | 2.8                       |
| R190-150-000 | mm          | 150   | 180    | 60                        |
|              | <i>inch</i> | 5.9   | 7.1    | 2.4                       |
| R191-150-000 | mm          | 150   | 180    | 90                        |
|              | <i>inch</i> | 5.9   | 7.1    | 3.5                       |
| R190-152-000 | mm          | 150   | 260    | 60                        |
|              | <i>inch</i> | 5.9   | 10.2   | 2.4                       |
| R191-152-000 | mm          | 150   | 260    | 90                        |
|              | <i>inch</i> | 5.9   | 10.2   | 3.5                       |
| R190-170-000 | mm          | 170   | 200    | 60                        |
|              | <i>inch</i> | 6.7   | 7.9    | 2.4                       |
| R191-170-000 | mm          | 170   | 200    | 90                        |
|              | <i>inch</i> | 6.7   | 7.9    | 3.5                       |
| R190-172-000 | mm          | 170   | 280    | 60                        |
|              | <i>inch</i> | 6.7   | 11     | 2.4                       |
| R191-172-000 | mm          | 170   | 280    | 90                        |
|              | <i>inch</i> | 6.7   | 11     | 3.5                       |

# aluNORM

## Specifications

### Key Features

- Material - Aluminum die-cast: G Al Si 12 / DIN 1775
- Shallow lid, deep body
- Captive stainless steel lid screws
- Neoprene oil and petrol resistant gasket standard. (-40°C up to +80°C)
- Degree of protection NEMA 4X, IP65, DIN 40050
- Temperature Range (-40°C up to +80°C)
- Single-channel Fastening System. Trouble-free turning 90° to 90° with square enclosures by synchronous arrangement of channels
- Special developed external mounting feet made from zinc-die-cast. Can be turned through 90°. The fastening holes have engagement lugs for this purpose. (See accessories)
- All sizes have inner blind holes. A mounting plate made of zinc-plated steel is available (See accessories)
- Textured polyester powder coat, light grey RAL7032. (can be supplied unpainted on special order)
- CSA certified, Type 4, for use with industrial control equipment



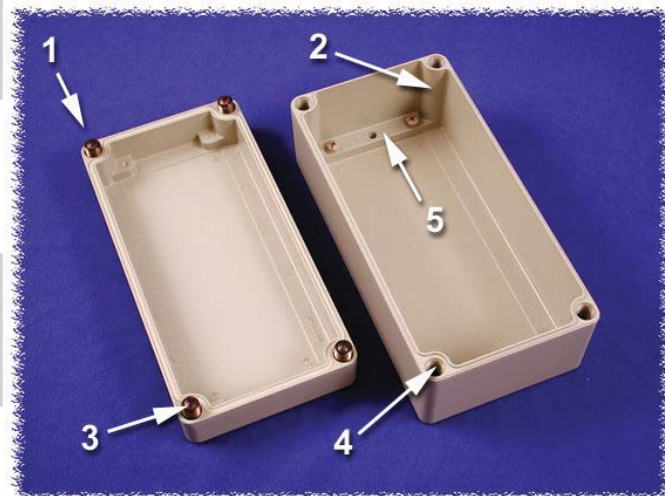
**1** Screws and mounting holes outside of gasket seal...

**2** Space saving single channel mounting (ie...same hole used for mounting enclosure through rear and for the lid), provides larger interior space than dual channel enclosures.

**3** Captive stainless steel lid screws...

**4** Enclosure holes threaded for easy installation and repetitive assembly & disassembly...

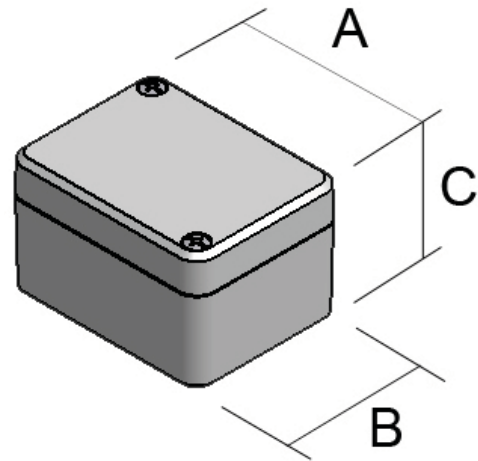
**5** Internal mounting shelves placed along both sides of enclosure include blind holes and grounding screws...



**aluNORM**

R100 Series - Shallow Lid, Deep Body

Diecast Aluminum



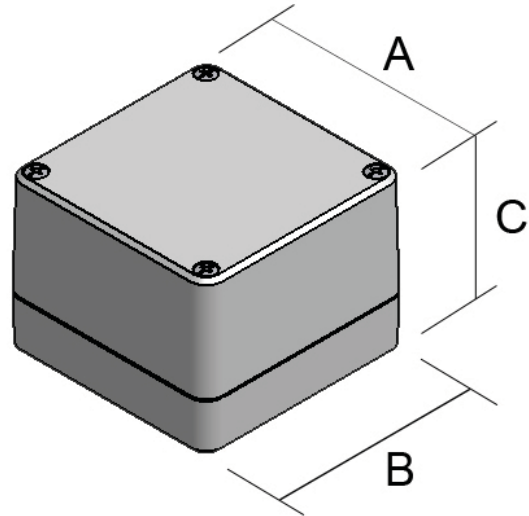
| Part No.     | Units | Width |     | Height<br>(Including Lid) |
|--------------|-------|-------|-----|---------------------------|
|              |       | A     | B   |                           |
| R100-060-000 | mm    | 65    | 50  | 40                        |
|              | inch  | 2.6   | 2   | 1.6                       |
| R100-062-000 | mm    | 65    | 65  | 40                        |
|              | inch  | 2.6   | 2.6 | 1.6                       |
| R100-064-000 | mm    | 65    | 100 | 40                        |
|              | inch  | 2.6   | 4   | 1.6                       |
| R100-066-000 | mm    | 65    | 150 | 40                        |
|              | inch  | 2.6   | 6   | 1.6                       |
| R100-080-000 | mm    | 80    | 80  | 60                        |
|              | inch  | 3.2   | 3.2 | 2.4                       |
| R100-082-000 | mm    | 80    | 120 | 60                        |
|              | inch  | 3.2   | 4.8 | 2.4                       |
| R100-084-000 | mm    | 80    | 160 | 60                        |
|              | inch  | 3.2   | 6.4 | 2.4                       |
| R100-100-000 | mm    | 100   | 100 | 80                        |
|              | inch  | 4     | 4   | 3.2                       |
| R100-102-000 | mm    | 100   | 150 | 80                        |
|              | inch  | 4     | 6   | 3.2                       |
| R100-104-000 | mm    | 100   | 200 | 80                        |
|              | inch  | 4     | 8   | 3.2                       |
| R100-120-000 | mm    | 120   | 120 | 100                       |
|              | inch  | 4.8   | 4.8 | 4                         |
| R100-122-000 | mm    | 120   | 180 | 100                       |
|              | inch  | 4.8   | 7.2 | 4                         |
| R100-124-000 | mm    | 120   | 240 | 100                       |
|              | inch  | 4.8   | 9.6 | 4                         |

| Part No.     | Units | Width |      | Height<br>(Including Lid) |
|--------------|-------|-------|------|---------------------------|
|              |       | A     | B    |                           |
| R100-160-000 | mm    | 160   | 160  | 100                       |
|              | inch  | 6.4   | 6.4  | 4                         |
| R100-162-000 | mm    | 160   | 240  | 100                       |
|              | inch  | 6.4   | 9.6  | 4                         |
| R100-164-000 | mm    | 160   | 320  | 100                       |
|              | inch  | 6.4   | 12.8 | 4                         |
| R100-166-000 | mm    | 160   | 480  | 100                       |
|              | inch  | 6.4   | 19.2 | 4                         |
| R100-200-000 | mm    | 200   | 200  | 120                       |
|              | inch  | 8     | 8    | 4.8                       |
| R100-202-000 | mm    | 200   | 300  | 120                       |
|              | inch  | 8     | 12   | 4.8                       |
| R100-204-000 | mm    | 200   | 400  | 120                       |
|              | inch  | 8     | 16   | 4.8                       |
| R100-240-000 | mm    | 240   | 240  | 120                       |
|              | inch  | 9.6   | 9.6  | 4.8                       |
| R100-242-000 | mm    | 240   | 360  | 120                       |
|              | inch  | 9.6   | 14.4 | 4.8                       |
| R100-244-000 | mm    | 240   | 480  | 120                       |
|              | inch  | 9.6   | 19.2 | 4.8                       |
| R100-320-000 | mm    | 320   | 320  | 120                       |
|              | inch  | 12.8  | 12.8 | 4.8                       |
| R100-322-000 | mm    | 320   | 480  | 120                       |
|              | inch  | 12.8  | 19.2 | 4.8                       |
| R100-324-000 | mm    | 320   | 640  | 120                       |
|              | inch  | 12.8  | 25.6 | 4.8                       |

# aluNORM

R101 Series - Deep Lid, Shallow Body

Diecast Aluminum



| Part No.     | Units | Width |     | Length |     | Height (Including Lid) |     |
|--------------|-------|-------|-----|--------|-----|------------------------|-----|
|              |       | A     | B   | B      | A   | C                      | C   |
| R101-080-000 | mm    | 80    | 80  | 80     | 80  | 60                     | 60  |
|              | inch  | 3.2   | 3.2 | 3.2    | 3.2 | 2.4                    | 2.4 |
| R101-082-000 | mm    | 80    | 120 | 120    | 80  | 60                     | 60  |
|              | inch  | 3.2   | 4.8 | 4.8    | 3.2 | 2.4                    | 2.4 |
| R101-084-000 | mm    | 80    | 160 | 160    | 80  | 60                     | 60  |
|              | inch  | 3.2   | 6.4 | 6.4    | 3.2 | 2.4                    | 2.4 |
| R101-100-000 | mm    | 100   | 100 | 100    | 100 | 80                     | 80  |
|              | inch  | 4     | 4   | 4      | 4   | 3.2                    | 3.2 |
| R101-102-000 | mm    | 100   | 150 | 150    | 100 | 80                     | 80  |
|              | inch  | 4     | 6   | 6      | 4   | 3.2                    | 3.2 |
| R101-104-000 | mm    | 100   | 200 | 200    | 100 | 80                     | 80  |
|              | inch  | 4     | 8   | 8      | 4   | 3.2                    | 3.2 |
| R101-120-000 | mm    | 120   | 120 | 120    | 120 | 100                    | 100 |
|              | inch  | 4.8   | 4.8 | 4.8    | 4.8 | 4                      | 4   |
| R101-122-000 | mm    | 120   | 180 | 180    | 120 | 100                    | 100 |
|              | inch  | 4.8   | 7.2 | 7.2    | 4.8 | 4                      | 4   |
| R101-124-000 | mm    | 120   | 240 | 240    | 120 | 100                    | 100 |
|              | inch  | 4.8   | 9.6 | 9.6    | 4.8 | 4                      | 4   |
| R101-160-000 | mm    | 160   | 160 | 160    | 160 | 100                    | 100 |
|              | inch  | 6.4   | 6.4 | 6.4    | 6.4 | 4                      | 4   |
| R101-162-000 | mm    | 160   | 240 | 240    | 160 | 100                    | 100 |
|              | inch  | 6.4   | 9.6 | 9.6    | 6.4 | 4                      | 4   |

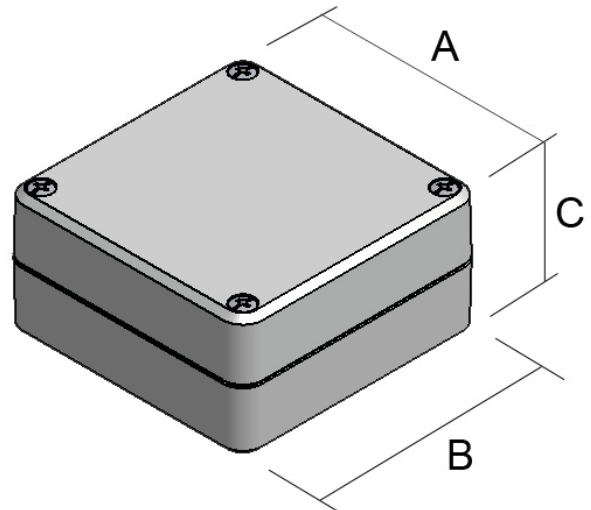
| Part No.     | Units | Width |      | Length |      | Height (Including Lid) |     |
|--------------|-------|-------|------|--------|------|------------------------|-----|
|              |       | A     | B    | B      | A    | C                      | C   |
| R101-164-000 | mm    | 160   | 320  | 320    | 160  | 100                    | 100 |
|              | inch  | 6.4   | 12.8 | 12.8   | 6.4  | 4                      | 4   |
| R101-166-000 | mm    | 160   | 480  | 480    | 160  | 100                    | 100 |
|              | inch  | 6.4   | 19.2 | 19.2   | 6.4  | 4                      | 4   |
| R101-200-000 | mm    | 200   | 200  | 200    | 200  | 120                    | 120 |
|              | inch  | 8     | 8    | 8      | 8    | 4.8                    | 4.8 |
| R101-202-000 | mm    | 200   | 300  | 300    | 200  | 120                    | 120 |
|              | inch  | 8     | 12   | 12     | 8    | 4.8                    | 4.8 |
| R101-204-000 | mm    | 200   | 400  | 400    | 200  | 120                    | 120 |
|              | inch  | 8     | 16   | 16     | 8    | 4.8                    | 4.8 |
| R101-240-000 | mm    | 240   | 240  | 240    | 240  | 120                    | 120 |
|              | inch  | 9.6   | 9.6  | 9.6    | 9.6  | 4.8                    | 4.8 |
| R101-242-000 | mm    | 240   | 360  | 360    | 240  | 120                    | 120 |
|              | inch  | 9.6   | 14.4 | 14.4   | 9.6  | 4.8                    | 4.8 |
| R101-244-000 | mm    | 240   | 480  | 480    | 240  | 120                    | 120 |
|              | inch  | 9.6   | 19.2 | 19.2   | 9.6  | 4.8                    | 4.8 |
| R101-320-000 | mm    | 320   | 320  | 320    | 320  | 120                    | 120 |
|              | inch  | 12.8  | 12.8 | 12.8   | 12.8 | 4.8                    | 4.8 |
| R101-322-000 | mm    | 320   | 480  | 480    | 320  | 120                    | 120 |
|              | inch  | 12.8  | 19.2 | 19.2   | 12.8 | 4.8                    | 4.8 |
| R101-324-000 | mm    | 320   | 640  | 640    | 320  | 120                    | 120 |
|              | inch  | 12.8  | 25.6 | 25.6   | 12.8 | 4.8                    | 4.8 |

Technical references and CAD downloads available at [www.hammondmfg.com](http://www.hammondmfg.com)



**aluNORM**

R102 Series - Deep Lid, Deep Body



Diecast Aluminum



| Part No.            | Units | Width |     | Length |   | Height (Including Lid) |   |
|---------------------|-------|-------|-----|--------|---|------------------------|---|
|                     |       | A     | B   | B      | C | C                      | C |
| <b>R102-080-000</b> | mm    | 80    | 80  |        |   | 40                     |   |
|                     | inch  | 3.2   | 3.2 |        |   | 1.6                    |   |
| <b>R102-082-000</b> | mm    | 80    | 120 |        |   | 40                     |   |
|                     | inch  | 3.2   | 4.8 |        |   | 1.6                    |   |
| <b>R102-084-000</b> | mm    | 80    | 160 |        |   | 40                     |   |
|                     | inch  | 3.2   | 6.4 |        |   | 1.6                    |   |
| <b>R102-100-000</b> | mm    | 100   | 100 |        |   | 54                     |   |
|                     | inch  | 4     | 4   |        |   | 2.2                    |   |
| <b>R102-102-000</b> | mm    | 100   | 150 |        |   | 54                     |   |
|                     | inch  | 4     | 6   |        |   | 2.2                    |   |
| <b>R102-104-000</b> | mm    | 100   | 200 |        |   | 54                     |   |
|                     | inch  | 4     | 8   |        |   | 2.2                    |   |
| <b>R102-120-000</b> | mm    | 120   | 120 |        |   | 66                     |   |
|                     | inch  | 4.8   | 4.8 |        |   | 2.6                    |   |
| <b>R102-122-000</b> | mm    | 120   | 180 |        |   | 66                     |   |
|                     | inch  | 4.8   | 7.2 |        |   | 2.6                    |   |
| <b>R102-124-000</b> | mm    | 120   | 240 |        |   | 66                     |   |
|                     | inch  | 4.8   | 9.6 |        |   | 2.6                    |   |
| <b>R102-160-000</b> | mm    | 160   | 160 |        |   | 66                     |   |
|                     | inch  | 6.4   | 6.4 |        |   | 2.6                    |   |
| <b>R102-162-000</b> | mm    | 160   | 240 |        |   | 66                     |   |
|                     | inch  | 6.4   | 9.6 |        |   | 2.6                    |   |

| Part No.            | Units | Width |      | Length |   | Height (Including Lid) |   |
|---------------------|-------|-------|------|--------|---|------------------------|---|
|                     |       | A     | B    | B      | C | C                      | C |
| <b>R102-164-000</b> | mm    | 160   | 320  |        |   | 66                     |   |
|                     | inch  | 6.4   | 12.8 |        |   | 2.6                    |   |
| <b>R102-166-000</b> | mm    | 160   | 480  |        |   | 66                     |   |
|                     | inch  | 6.4   | 19.2 |        |   | 2.6                    |   |
| <b>R102-200-000</b> | mm    | 200   | 200  |        |   | 80                     |   |
|                     | inch  | 8     | 8    |        |   | 3.2                    |   |
| <b>R102-202-000</b> | mm    | 200   | 300  |        |   | 80                     |   |
|                     | inch  | 8     | 12   |        |   | 3.2                    |   |
| <b>R102-204-000</b> | mm    | 200   | 400  |        |   | 80                     |   |
|                     | inch  | 8     | 16   |        |   | 3.2                    |   |
| <b>R102-240-000</b> | mm    | 240   | 240  |        |   | 80                     |   |
|                     | inch  | 9.6   | 9.6  |        |   | 3.2                    |   |
| <b>R102-242-000</b> | mm    | 240   | 360  |        |   | 80                     |   |
|                     | inch  | 9.6   | 14.4 |        |   | 3.2                    |   |
| <b>R102-244-000</b> | mm    | 240   | 480  |        |   | 80                     |   |
|                     | inch  | 9.6   | 19.2 |        |   | 3.2                    |   |
| <b>R102-320-000</b> | mm    | 320   | 320  |        |   | 80                     |   |
|                     | inch  | 12.8  | 12.8 |        |   | 3.2                    |   |
| <b>R102-322-000</b> | mm    | 320   | 480  |        |   | 80                     |   |
|                     | inch  | 12.8  | 19.2 |        |   | 3.2                    |   |
| <b>R102-324-000</b> | mm    | 320   | 640  |        |   | 80                     |   |
|                     | inch  | 12.8  | 25.6 |        |   | 3.2                    |   |

## conFORM

### Specifications

#### Key Features

- Material - Aluminum die-cast: G Al Si 12 / DIN 1775
- Shallow lid, deep body
- Captive stainless steel lid screws
- Neoprene oil and petrol resistant gasket standard. (-40°C up to +80°C)
- EMI/RFI gasket is NOT required as lid to box connection is INSIDE the gasket seal. A patented system with special designed "teeth" in the enclosure bottom provide a lasting and corrosion secure shield.
- Degree of protection NEMA 4X, IP66, DIN 40050
- Temperature Range (-40°C up to +80°C)
- Separate channel system (outside the seal)
- Specially developed external mounting feet made from zinc-die-cast. Can be turned through 90°. The fastening holes have engagement lugs for this purpose.
- All sizes have inner blind holes. A mounting plate made of zinc-plated steel is available
- Textured polyester powder coat, light beige/grey RAL 7032. (can be supplied unpainted on special order)
- CSA certified, Type 4, for use with industrial control equipment



Diecast Aluminum

**1**

EMI/RFI enclosure body connection --to lid (see #2 right) is made INSIDE the gasket seal (see #3). This eliminates expensive conducting gaskets and the corrosion problems that can appear later...

**2**

Lid EMI/RFI edge (link here to lid close up) extends into enclosure and contacts "teeth" (see #1) in enclosure body for a positive contact...

**3**

Gasket (thermoplastic, forprene, silicon free material) outside of EMI/RFI contact points and inside of lid & mounting holes. No need for expensive conducting gasket (see #1)...

**4**

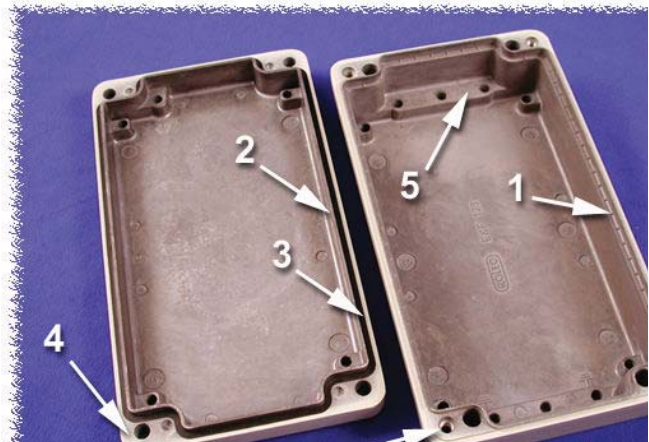
Screws and mounting holes outside of gasket seal...

**5**

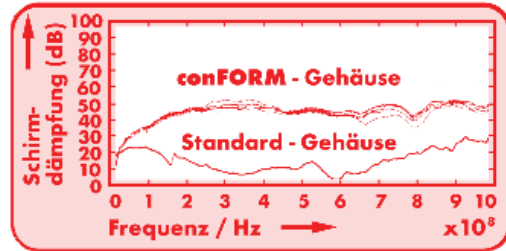
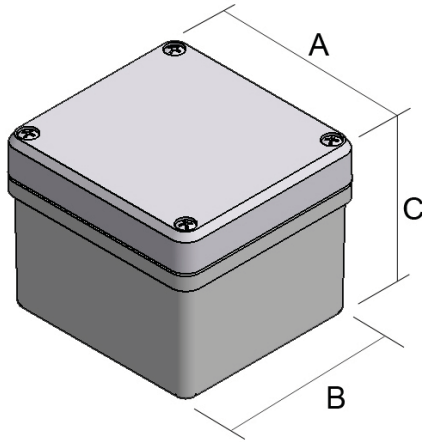
Internal mounting shelves placed along both sides of enclosure include blind holes and grounding screws. There are many mounting holes for self tapping screws in both the enclosure & the lid. Can also be used for mounting P.C. boards or plates..

**6**

Enclosure holes threaded for easy installation and repetitive assembly & disassembly...



**conFORM**  
R110, R111 Series



Diecast Aluminum

| Part No.     | Units | Width | Length | Height          |
|--------------|-------|-------|--------|-----------------|
|              |       | A     | B      | (Including Lid) |
| R111-081-000 | mm    | 84    | 79     | 44              |
|              | inch  | 3.3   | 3.1    | 1.8             |
| R110-081-000 | mm    | 84    | 79     | 67              |
|              | inch  | 3.3   | 3.1    | 2.7             |
| R111-082-000 | mm    | 84    | 129    | 44              |
|              | inch  | 3.3   | 5.2    | 1.8             |
| R110-082-000 | mm    | 84    | 129    | 67              |
|              | inch  | 3.3   | 5.2    | 2.7             |
| R111-083-000 | mm    | 84    | 179    | 44              |
|              | inch  | 3.3   | 7.2    | 1.8             |
| R110-083-000 | mm    | 84    | 179    | 67              |
|              | inch  | 3.3   | 7.2    | 2.7             |
| R111-121-000 | mm    | 125.5 | 127.5  | 60              |
|              | inch  | 5     | 5      | 2.4             |
| R110-121-000 | mm    | 125.5 | 127.5  | 90              |
|              | inch  | 5     | 5      | 3.6             |
| R111-123-000 | mm    | 125.5 | 225.5  | 60              |
|              | inch  | 5     | 9      | 2.4             |
| R110-123-000 | mm    | 125.5 | 225.5  | 90              |
|              | inch  | 5     | 9      | 3.6             |
| R111-161-000 | mm    | 166   | 166    | 60              |
|              | inch  | 6.5   | 6.5    | 2.4             |
| R110-161-000 | mm    | 166   | 166    | 100             |
|              | inch  | 6.5   | 6.5    | 4               |
| R111-162-000 | mm    | 166   | 266    | 66              |
|              | inch  | 6.5   | 10.5   | 2.6             |
| R110-162-000 | mm    | 166   | 266    | 100             |
|              | inch  | 6.5   | 10.5   | 4               |

# handCASE

## Specifications

### Key Features

- Designed as a heavy duty hand held - manufactured in diecast aluminum for superior strength.
- Ergonomic design for extended handling without fatigue.
- Two-part styled lid construction. Top half includes smooth recessed area for membrane, label or silkscreen.
- Top half powder painted in a silver grey and the bottom half is powder painted in black.
- P.C. board standoffs are cast into both halves of the enclosure. Mounting screws included.
- The two smaller sizes include an ABS plastic battery compartment installed and gasketed access bottom lid.
- Gasketed lid with two piece "tongue & groove" construction provides protection against access of oil, dust and water.
- Lid screws are stainless steel.
- Designed to meet IP66.



Diecast Aluminum



Assembled View



Open View  
(Bottom)



Assembled View  
(Bottom)



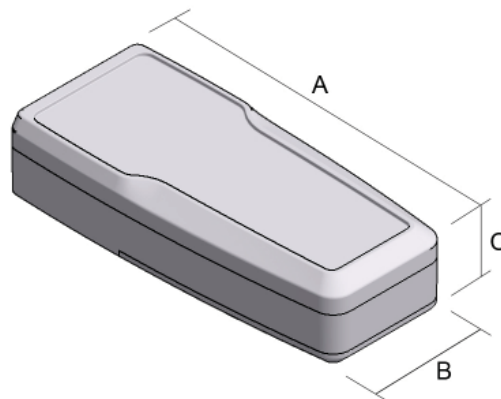
Open View  
(Top)

**handCASE**  
R270, R271 Series

Diecast Aluminum



| Part Number  | Battery Compartment | Units             | Length             |                    | Width              |                     | Height (Including Lid) | Weight |
|--------------|---------------------|-------------------|--------------------|--------------------|--------------------|---------------------|------------------------|--------|
|              |                     |                   | A                  | B                  | B                  | C                   |                        |        |
| R270-080-000 | Yes                 | Inch<br><i>mm</i> | 7.09<br><i>180</i> | 3.15<br><i>80</i>  | 3.15<br><i>80</i>  | 1.67<br><i>42.4</i> | 1 lb. 1.1 oz.          |        |
| R270-100-000 | Yes                 | Inch<br><i>mm</i> | 8.66<br><i>220</i> | 3.94<br><i>100</i> | 3.94<br><i>100</i> | 1.67<br><i>42.4</i> | 1 lb.7.1 oz.           |        |
| R271-100-000 | No                  | Inch<br><i>mm</i> | 8.66<br><i>220</i> | 3.94<br><i>100</i> | 3.94<br><i>100</i> | 2.46<br><i>62.4</i> | 1 lb. 8.3 oz.          |        |



# mobileCASE

## Specifications

### Key Features

- Modern and ergonomic design
- Designed to house P.C. boards (not included) or equipment for mobile use
- Sized for standard Eurocards
- P.C. boards mount horizontally by sliding into internal slots extruded into the enclosure body
- Internal height 1.06" (27mm)
- Rugged body constructed from extruded aluminum with diecast aluminum ends
- Silver anodized finish
- Choice of two versions - one piece closed or two piece "clam shell"
- One piece version is rated to IP 65 (with gasketed end plates below)
- Two piece version is rated to IP 54 (with gasketed end plates below)

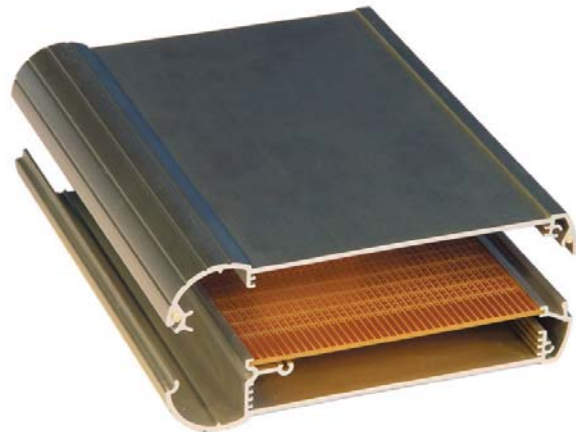
Extruded Aluminum



Diecast End Plates Attached  
(Assembled View)



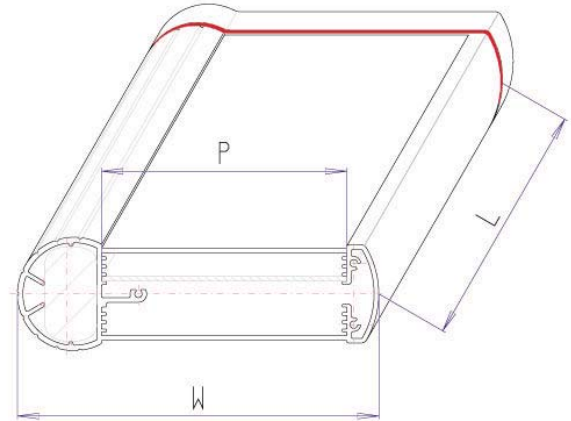
Example Application  
(Assembled View)



With P.C. Board Mounted  
(Two piece version)

## mobileCASE

R250, R251 Series



Extruded Aluminum

### Aluminum Extrusion

| Part Number  | Version   | Units | Length<br>L | Width<br>W | Profile Width<br>P |
|--------------|-----------|-------|-------------|------------|--------------------|
| R250-080-120 | One Piece | inch  | 4.72        | 4.65       | 3.15               |
| R251-080-120 | Two Piece | mm    | 120         | 118        | 80                 |
| R250-080-160 | One Piece | inch  | 6.3         | 4.65       | 3.15               |
| R251-080-160 | Two Piece | mm    | 160         | 118        | 80                 |
| R250-100-160 | One Piece | inch  | 6.3         | 5.43       | 3.94               |
| R251-100-160 | Two Piece | mm    | 160         | 138        | 100                |
| R250-100-200 | One Piece | inch  | 7.87        | 5.43       | 3.94               |
| R251-100-200 | Two Piece | mm    | 200         | 138        | 100                |
| R250-130-180 | One Piece | inch  | 7.09        | 6.61       | 5.12               |
| R251-130-180 | Two Piece | mm    | 180         | 168        | 130                |
| R250-130-240 | One Piece | inch  | 9.45        | 6.61       | 5.12               |
| R251-130-240 | Two Piece | mm    | 240         | 168        | 130                |

# mobileCASE

Accessories

## Cover Plates & Gasket

- Choose either Flat or Collar (used for accepting cables or batteries) style end plates
- Heavy duty diecast aluminum
- Painted with textured black powder paint (RAL 9005)
- Includes cover plates, thermoplastic black gaskets and mounting hardware
- Sold in Pairs



Flat Style



Collar Style



Flat Style (Top)  
Collar Style (Bottom)

Extruded Aluminum

| Part Number  | Style  | Use With Aluminum Extrusion Part Number                               |
|--------------|--------|---|
| R580-080-000 | Flat   | R250-080-120 or<br>R251-080-120 or<br>R250-080-160 or<br>R251-080-160 |
| R580-100-000 | Flat   | R250-100-160 or<br>R251-100-160 or<br>R250-100-200 or<br>R251-100-200 |
| R580-130-000 | Flat   | R250-130-180 or<br>R251-130-180 or<br>R250-130-240 or<br>R251-130-240 |
| R581-080-000 | Collar | R250-080-120 or<br>R251-080-120 or<br>R250-080-160 or<br>R251-080-160 |
| R581-100-000 | Collar | R250-100-160 or<br>R251-100-160 or<br>R250-100-200 or<br>R251-100-200 |
| R581-130-000 | Collar | R250-130-180 or<br>R251-130-180 or<br>R250-130-240 or<br>R251-130-240 |

## Cable Gland & Battery Kits

| Part Number  | Use With Aluminum Extrusion Part Number |
|--------------|---|
| R584-002-000 | Two Battery Holder (AA Size)            |
| R584-004-000 | Four Battery Holder (AA Size)           |
| R585-000-000 | Cable Gland Adaptor Kit                 |



Cable Gland & Battery Kits



Battery Kits



## mobileCASE

Accessoires

### Variable Cover Plates & Gasket

- Heavy duty diecast aluminum
- Painted with textured black powder paint (RAL 9005)
- Includes cover plates, thermoplastic black gaskets and mounting hardware
- Sold in set to connect two extrusions side by side

| Part Number  | Style    | Used To Join Aluminum Extrusion Series       |
|--------------|----------|--|
| R588-080-080 | Variable | R250-080 or R251-080 TO R250-080 or R251-080 |
| R588-080-100 | Variable | R250-080 or R251-080 TO R250-100 or R251-100 |
| R588-080-130 | Variable | R250-080 or R251-080 TO R250-130 or R251-130 |
| R588-100-100 | Variable | R250-100 or R251-100 TO R250-100 or R251-100 |
| R588-100-130 | Variable | R250-100 or R251-100 TO R250-130 or R251-130 |
| R588-130-130 | Variable | R250-130 or R251-130 TO R250-130 or R251-130 |



Variable Plate In Use



Variable Style

Extruded Aluminum

### Shoulder Strap & Protective Caps

- Allows unit to be used in rough environments, indoors or out
- Nylon straps & TPE shoulder pad and end caps
- Enclosure not included

| Part Number  | Use With Aluminum Extrusion Part Number                      |
|--------------|--|
| R583-080-000 | R250-080-120 or R251-080-120 or R250-080-160 or R251-080-160 |
| R583-100-000 | R250-100-160 or R251-100-160 or R250-100-200 or R251-100-200 |
| R583-130-000 | R250-130-180 or R251-130-180 or R250-130-240 or R251-130-240 |



Shoulder Strap & Protective Caps



Assembled View

# starCASE - ABS Flame Retardant Plastic

## Specifications

### Application

- ABS flame retardant plastic enclosures are designed for use as instrument enclosures, electrical junction boxes or terminal wiring enclosures where metallic enclosures are not suitable.
- Modern design with rounded edges & hidden assembly screws
- Provide outstanding protection against dust, oil and pressurized water.
- Impervious to atmospheric and marine corrosion.

### Standards

- Meets NEMA Type 4, 4X, 12 and 13
- Meets IP66
- ABS Plastic material: UL94 V-0 1.6mm flammability Rating

### Construction

- Molded in ABS fire retardant plastic.
- Lid is recessed for membrane keypads or labels.
- Includes plastic lid supports (to keep lid captive to box).
- Separate mounting channels & lid channels all outside of the interior & gasket seal.
- Recessed silicon gasket with tongue and groove construction.
- Captive stainless steel lid screws are provided.

### Finish

- Light grey RAL 7035 - light texture



Removable hinged design covers hide both lid screws and installation holes



Includes optional use lid captivation straps



Enclosure can be installed after closing lid

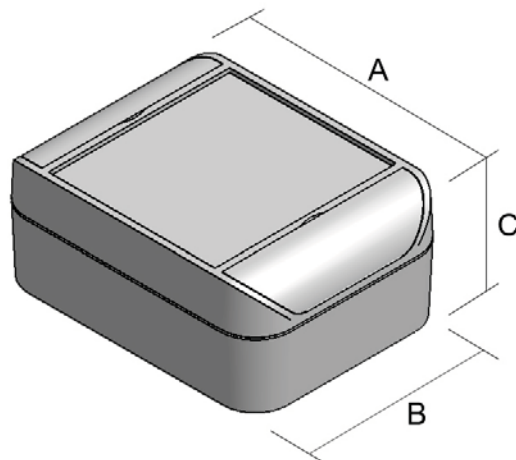
Non-Metallic

# starCASE - ABS Fire Retardant Plastic

R230 Series



- Dual channel construction
- Mounting holes accessible with lid closed
- All holes outside of gasket seal.



| Part No.     | Units | Length |      | Height          |
|--------------|-------|--------|------|-----------------|
|              |       | A      | B    | (Including Lid) |
| R230-090-000 | mm    | 120    | 90   | 50              |
|              | inch  | 4.72   | 3.54 | 1.97            |
| R230-092-000 | mm    | 160    | 90   | 50              |
|              | inch  | 6.3    | 3.54 | 1.97            |
| R230-112-000 | mm    | 200    | 110  | 60              |
|              | inch  | 7.87   | 4.33 | 2.36            |
| R230-130-000 | mm    | 160    | 130  | 60              |
|              | inch  | 6.3    | 5.12 | 2.36            |
| R230-172-000 | mm    | 280    | 170  | 60              |
|              | inch  | 11.02  | 6.69 | 2.36            |

Non-Metallic

## technoBOX - ABS Plastic

### Specifications

#### Application

- ABS plastic enclosures are designed for use as instrument enclosures, electrical junction boxes or terminal wiring enclosures where metallic enclosures are not suitable.
- Modern design with slanted top edges
- Provide outstanding protection against dust, oil and pressurized water.
- Impervious to atmospheric and marine corrosion.

#### Standards

- NEMA Type 4, 4X, 12 and 13
- IP66
- UL94 HB Flammability Rating

#### Construction

- Molded in ABS plastic.
- Separate mounting channels & lid channels.
- Recessed polyurethane gasket with tongue and groove construction.
- Interlocking flange on lid and bottom sections.
- Captive stainless steel lid screws are provided.
- Cover screws fasten into pre-threaded holes.



#### Finish

- Light grey RAL 7035

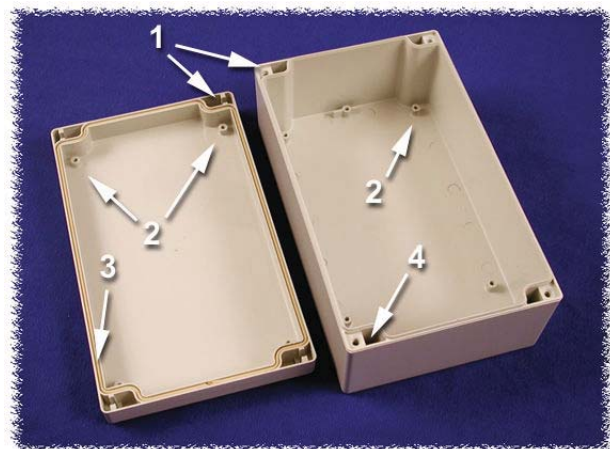
Non-Metallic

**1** Separate screw channels outside of the gasket seal (lid screws & enclosure mounting screws)...

**2** There are many mounting posts for self tapping screws in both the enclosure & the lid. Can also be used for mounting P.C. boards or plates..

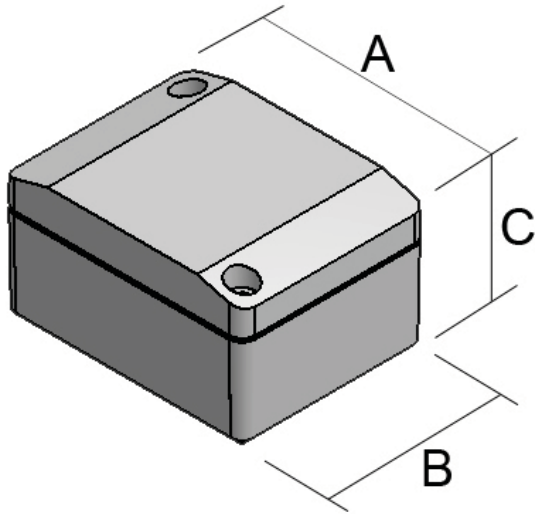
**3** Thermoplastic forpene gasket...

**4** Enclosure mounts through channel and bottom holes, concealed when lid is attached...



## technoBOX - ABS Plastic

R220 Series



Non-Metallic

| Part No.            | Units       | Length |     | Width |     | Height (Including Lid) |  |
|---------------------|-------------|--------|-----|-------|-----|------------------------|--|
|                     |             | A      | B   | B     | C   | C                      |  |
| <b>R220-060-000</b> | mm          | 66     | 51  | 51    | 35  | 35                     |  |
|                     | <i>inch</i> | 2.6    | 2   | 2     | 1.4 | 1.4                    |  |
| <b>R220-080-000</b> | mm          | 83     | 81  | 81    | 60  | 60                     |  |
|                     | <i>inch</i> | 3.3    | 3.2 | 3.2   | 2.4 | 2.4                    |  |
| <b>R220-082-000</b> | mm          | 121    | 81  | 81    | 60  | 60                     |  |
|                     | <i>inch</i> | 4.8    | 3.2 | 3.2   | 2.4 | 2.4                    |  |
| <b>R220-084-000</b> | mm          | 161    | 81  | 81    | 60  | 60                     |  |
|                     | <i>inch</i> | 6.3    | 3.2 | 3.2   | 2.4 | 2.4                    |  |
| <b>R220-102-000</b> | mm          | 151    | 101 | 101   | 60  | 60                     |  |
|                     | <i>inch</i> | 5.9    | 4   | 4     | 2.4 | 2.4                    |  |
| <b>R220-104-000</b> | mm          | 201    | 101 | 101   | 60  | 60                     |  |
|                     | <i>inch</i> | 7.9    | 4   | 4     | 2.4 | 2.4                    |  |
| <b>R220-120-000</b> | mm          | 123    | 121 | 121   | 80  | 80                     |  |
|                     | <i>inch</i> | 4.8    | 4.8 | 4.8   | 3.2 | 3.2                    |  |
| <b>R220-122-000</b> | mm          | 201    | 121 | 121   | 80  | 80                     |  |
|                     | <i>inch</i> | 7.9    | 4.8 | 4.8   | 3.2 | 3.2                    |  |
| <b>R220-160-000</b> | mm          | 161    | 161 | 161   | 80  | 80                     |  |
|                     | <i>inch</i> | 6.3    | 6.3 | 6.3   | 3.2 | 3.2                    |  |
| <b>R220-162-000</b> | mm          | 241    | 161 | 161   | 80  | 80                     |  |
|                     | <i>inch</i> | 9.9    | 6.3 | 6.3   | 3.2 | 3.2                    |  |

# technoCASE

R200, R201 Series - ABS Plastic

## Application

- ABS plastic enclosures are designed for use as instrument enclosures, electrical junction boxes or terminal wiring enclosures where metallic enclosures are not suitable.
- Provide outstanding protection against dust, oil and pressurized water.
- Impervious to atmospheric and marine corrosion.

## Standards

- NEMA Type 4, 4X, 12 and 13
- IEC 60529, IP66
- UL94 HB Flammability Rating

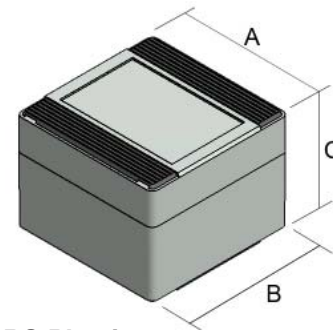
## Construction

- Molded in ABS plastic.
- Unique reversible bottom and cover section.
- Separate mounting channels provide access to rear mounting position without opening the enclosure.
- Recessed polyurethane gasket with tongue and groove construction.
- Interlocking flange on cover and bottom sections.
- Captive stainless steel cover screws are provided.
- Cover screws fasten into pre-threaded holes.
- Unique snap on screw covers hide the cover fastening screws for a highly finished appearance.



## Finish

- Light grey RAL 7035
- Front plates, Internal Hinges, Mounting Feet and P.C. Board Supports available



Non-Metallic

### Shallow Depth - ABS Plastic

| Part No.     | Units | Width<br>A | Length<br>B | Height<br>(Including Lid)<br>C |
|--------------|-------|------------|-------------|--------------------------------|
| R200-080-000 | mm    | 80         | 80          | 60                             |
|              | inch  | 3.2        | 3.2         | 2.4                            |
| R200-082-000 | mm    | 80         | 120         | 60                             |
|              | inch  | 3.2        | 4.8         | 2.4                            |
| R200-084-000 | mm    | 80         | 160         | 60                             |
|              | inch  | 3.2        | 6.4         | 2.4                            |
| R200-086-000 | mm    | 80         | 240         | 60                             |
|              | inch  | 3.2        | 9.6         | 2.4                            |
| R200-120-000 | mm    | 120        | 120         | 60                             |
|              | inch  | 4.8        | 4.8         | 2.4                            |
| R200-122-000 | mm    | 120        | 200         | 60                             |
|              | inch  | 4.8        | 8           | 2.4                            |
| R200-124-000 | mm    | 120        | 240         | 60                             |
|              | inch  | 4.8        | 9.6         | 2.4                            |
| R200-160-000 | mm    | 160        | 160         | 60                             |
|              | inch  | 6.4        | 6.4         | 2.4                            |
| R200-162-000 | mm    | 160        | 240         | 60                             |
|              | inch  | 6.4        | 9.6         | 2.4                            |

### Deep Depth - ABS Plastic

| Part No.     | Units | Width<br>A | Length<br>B | Height<br>(Including Lid)<br>C |
|--------------|-------|------------|-------------|--------------------------------|
| R201-080-000 | mm    | 80         | 80          | 80                             |
|              | inch  | 3.2        | 3.2         | 3.2                            |
| R201-082-000 | mm    | 80         | 120         | 80                             |
|              | inch  | 3.2        | 4.8         | 3.2                            |
| R201-084-000 | mm    | 80         | 160         | 80                             |
|              | inch  | 3.2        | 6.4         | 3.2                            |
| R201-086-000 | mm    | 80         | 240         | 80                             |
|              | inch  | 3.2        | 9.6         | 3.2                            |
| R201-120-000 | mm    | 120        | 120         | 90                             |
|              | inch  | 4.8        | 4.8         | 3.6                            |
| R201-122-000 | mm    | 120        | 200         | 90                             |
|              | inch  | 4.8        | 8           | 3.6                            |
| R201-124-000 | mm    | 120        | 240         | 90                             |
|              | inch  | 4.8        | 9.6         | 3.6                            |
| R201-160-000 | mm    | 160        | 160         | 90                             |
|              | inch  | 6.4        | 6.4         | 3.6                            |
| R201-162-000 | mm    | 160        | 240         | 90                             |
|              | inch  | 6.4        | 9.6         | 3.6                            |

## technoCASE - Polycarbonate

R210, R211 Series - Polycarbonate

### Application

- Polycarbonate enclosures are designed for use as instrument enclosures, electrical junction boxes or terminal wiring enclosures where metallic enclosures are not suitable.
- Provides outstanding protection against dust, oil and pressurized water.
- Impervious to atmospheric and marine corrosion.

### Standards

- NEMA Type 4, 4X, 12 and 13
- IEC 60529, IP65
- UL94 HB Flammability Rating

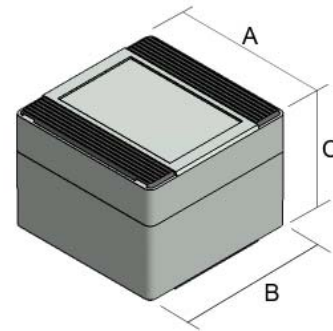
### Construction

- Molded in Polycarbonate.
- Unique reversible bottom and cover section.
- Separate mounting channels provide access to rear mounting position without opening the enclosure.
- Recessed polyurethane gasket with tongue and groove construction.
- Interlocking flange on cover and bottom sections.
- Captive stainless steel cover screws are provided.
- Cover screws fasten into pre-threaded holes.
- Unique snap on screw covers hide the cover fastening screws for a highly finished appearance.



### Finish

- Light grey RAL 7035
- Front plates, Internal Hinges, Mounting Feet and P.C. Board Supports available



Non-Metallic

### Shallow Depth - Polycarbonate

| Part No.     | Units | Width |     | Height          |
|--------------|-------|-------|-----|-----------------|
|              |       | A     | B   | (Including Lid) |
| R210-080-000 | mm    | 80    | 80  | 60              |
|              | inch  | 3.2   | 3.2 | 2.4             |
| R210-082-000 | mm    | 80    | 120 | 60              |
|              | inch  | 3.2   | 4.8 | 2.4             |
| R210-084-000 | mm    | 80    | 160 | 60              |
|              | inch  | 3.2   | 6.4 | 2.4             |
| R210-086-000 | mm    | 80    | 240 | 60              |
|              | inch  | 3.2   | 9.6 | 2.4             |
| R210-120-000 | mm    | 120   | 120 | 60              |
|              | inch  | 4.8   | 4.8 | 2.4             |
| R210-122-000 | mm    | 120   | 200 | 60              |
|              | inch  | 4.8   | 8   | 2.4             |
| R210-124-000 | mm    | 120   | 240 | 60              |
|              | inch  | 4.8   | 9.6 | 2.4             |
| R210-160-000 | mm    | 160   | 160 | 60              |
|              | inch  | 6.4   | 6.4 | 2.4             |
| R210-162-000 | mm    | 160   | 240 | 60              |
|              | inch  | 6.4   | 9.6 | 2.4             |

### Deep Depth - Polycarbonate

| Part No.     | Units | Width |     | Height          |
|--------------|-------|-------|-----|-----------------|
|              |       | A     | B   | (Including Lid) |
| R211-080-000 | mm    | 80    | 80  | 80              |
|              | inch  | 3.2   | 3.2 | 3.2             |
| R211-082-000 | mm    | 80    | 120 | 80              |
|              | inch  | 3.2   | 4.8 | 3.2             |
| R211-084-000 | mm    | 80    | 160 | 80              |
|              | inch  | 3.2   | 6.4 | 3.2             |
| R211-086-000 | mm    | 80    | 240 | 80              |
|              | inch  | 3.2   | 9.6 | 3.2             |
| R211-120-000 | mm    | 120   | 120 | 90              |
|              | inch  | 4.8   | 4.8 | 3.6             |
| R211-122-000 | mm    | 120   | 200 | 90              |
|              | inch  | 4.8   | 7   | 3.6             |
| R211-124-000 | mm    | 120   | 240 | 90              |
|              | inch  | 4.8   | 9.6 | 3.6             |
| R211-160-000 | mm    | 160   | 160 | 90              |
|              | inch  | 6.4   | 6.4 | 3.6             |
| R211-162-000 | mm    | 160   | 240 | 90              |
|              | inch  | 6.4   | 9.6 | 3.6             |

## polyTOP - Polyester

### Specifications



Non-Metallic

#### Application

- Designed for use as instrument enclosures, electrical junction boxes or terminal wiring enclosures.
- Provides outstanding protection against dust, oil and pressurized water.
- Impervious to atmospheric and marine corrosion.

#### Standards

- NEMA Type 1, 2, 3, 3R, 4, 4X, 5, 12 and 13
- IEC 60529, IP66
- VO Flammability Rating
- CSA certified, Type 4, for use with industrial control equipment

#### Construction

- Two piece molded fiberglass reinforced polyester construction.
- Captive polyfibre cover screws are provided with a standard slot head.
- Cover screws fasten into pre-threaded holes.
- The threaded cover screw holes also provide single channel access to rear mounting positions.
- Recessed neoprene gasket with tongue and groove construction is oil and petroleum resistant.
- Threaded stainless steel inserts provide for internal mounting.

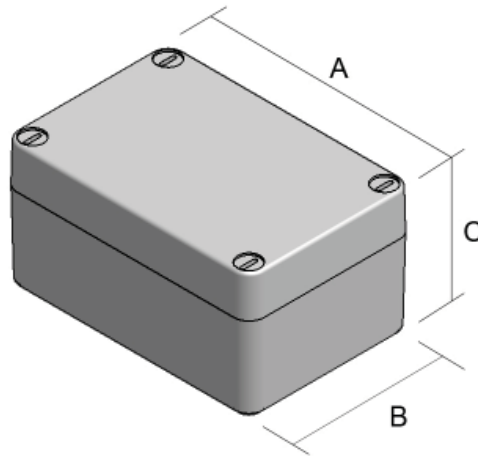
#### Finish

- Light beige RAL 7032, Pantone 413



## polyTOP - Polyester

R132 Series

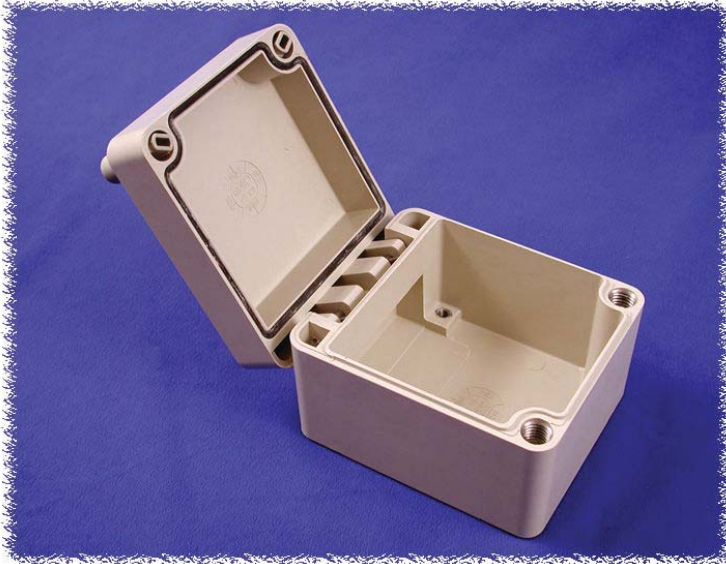


| Part No.            | Units       | Width | Length | Height<br>(Including Lid) |
|---------------------|-------------|-------|--------|---------------------------|
|                     |             | A     | B      | C                         |
| <b>R132-080-000</b> | mm          | 82    | 82     | 60                        |
|                     | <i>inch</i> | 3.3   | 3.3    | 2.4                       |
| <b>R132-082-000</b> | mm          | 82    | 122    | 60                        |
|                     | <i>inch</i> | 3.3   | 4.9    | 2.4                       |
| <b>R132-084-000</b> | mm          | 82    | 162    | 60                        |
|                     | <i>inch</i> | 3.3   | 6.5    | 2.4                       |
| <b>R132-100-000</b> | mm          | 102   | 102    | 81                        |
|                     | <i>inch</i> | 4.1   | 4.1    | 3.2                       |
| <b>R132-102-000</b> | mm          | 102   | 152    | 81                        |
|                     | <i>inch</i> | 4.1   | 6.1    | 3.2                       |
| <b>R132-104-000</b> | mm          | 102   | 202    | 81                        |
|                     | <i>inch</i> | 4.1   | 8.1    | 3.2                       |
| <b>R132-120-000</b> | mm          | 124   | 124    | 100                       |
|                     | <i>inch</i> | 4.9   | 4.9    | 4                         |
| <b>R132-122-000</b> | mm          | 124   | 184    | 100                       |
|                     | <i>inch</i> | 4.9   | 7.2    | 4                         |
| <b>R132-124-000</b> | mm          | 124   | 244    | 100                       |
|                     | <i>inch</i> | 4.9   | 9.6    | 4                         |
| <b>R132-160-000</b> | mm          | 164   | 164    | 100                       |
|                     | <i>inch</i> | 6.5   | 6.6    | 4                         |
| <b>R132-162-000</b> | mm          | 164   | 244    | 100                       |
|                     | <i>inch</i> | 6.5   | 9.6    | 4                         |
| <b>R132-164-000</b> | mm          | 164   | 324    | 100                       |
|                     | <i>inch</i> | 6.5   | 13     | 4                         |
| <b>R132-400-000</b> | mm          | 404   | 404    | 160                       |
|                     | <i>inch</i> | 15.9  | 15.9   | 6.3                       |

Non-Metallic

# polyDOOR - Polyester

## Specifications



### Standards

- NEMA Type 1, 2, 3, 3R, 4, 4X, 5, 12 and 13
- IEC 60529, IP66
- VO Flammability Rating
- CSA certified, Type 4, for use with industrial control equipment



### Construction

- Two piece molded fiberglass reinforced polyester construction.
- Captive polyfibre cover screws are provided with a standard slot head.
- Cover screws fasten into pre-threaded holes.
- The threaded cover screw holes also provide single channel access to rear mounting positions.
- Recessed neoprene gasket with tongue and groove construction is oil and petroleum resistant.
- Threaded stainless steel inserts provide for internal mounting.

### Finish

- Light beige RAL 7032, Pantone 413
- Spring loaded stainless steel hinge pins are standard, allowing for quick lid removal . (R130 & R131 Series only)

### Application

- Designed for use as instrument enclosures, electrical junction boxes or terminal wiring enclosures.
- Provide outstanding protection against dust, oil and pressurized water.
- Impervious to atmospheric and marine corrosion.

Non-Metallic

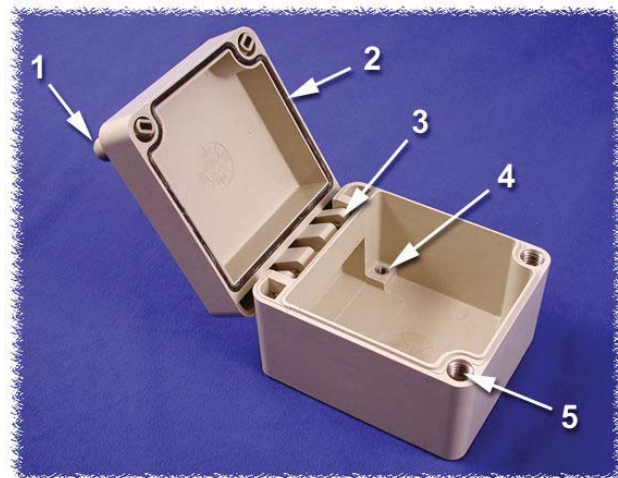
**1** Captive screws made of strong polyamide, corrosion free...

**2** Oil resistant CR gasket...

**3** Easily removable stainless steel hinge pin...

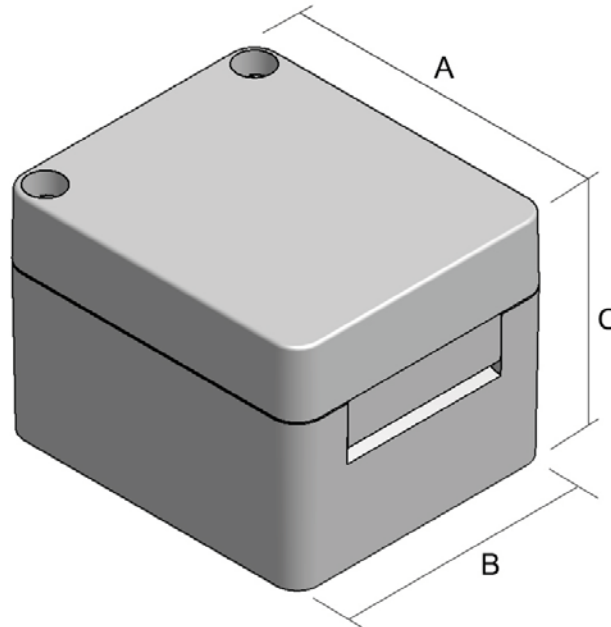
**4** Four stainless steel M6 inserts in bottom of enclosure (screws not included)...

**5** Single channel for lid screws and enclosure mounting, which allows for maximum internal space. This channel is outside of the gasket seal area, and includes stainless steel inserts.



# polyDOOR - Polyester

R130, R131 Series



Non-Metallic

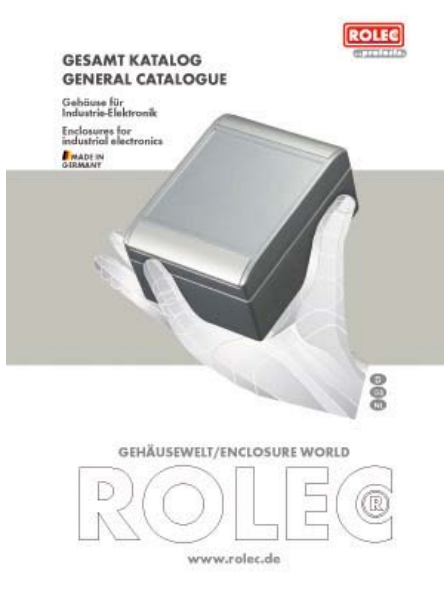
### With Integrated Hinge

| Part No.            | Units | Width<br>A | Length<br>B | Depth<br>(Including<br>Lid)<br>C |
|---------------------|-------|------------|-------------|----------------------------------|
| <b>R130-120-000</b> | mm    | 120        | 140         | 100                              |
|                     | inch  | 4.8        | 5.6         | 4                                |
| <b>R130-122-000</b> | mm    | 120        | 200         | 100                              |
|                     | inch  | 4.8        | 8           | 4                                |
| <b>R130-124-000</b> | mm    | 120        | 260         | 100                              |
|                     | inch  | 4.8        | 10.4        | 4                                |
| <b>R130-160-000</b> | mm    | 160        | 180         | 100                              |
|                     | inch  | 6.4        | 7.2         | 4                                |
| <b>R130-162-000</b> | mm    | 160        | 260         | 100                              |
|                     | inch  | 6.4        | 10.4        | 4                                |
| <b>R130-164-000</b> | mm    | 160        | 340         | 100                              |
|                     | inch  | 6.4        | 13.6        | 4                                |
| <b>R130-200-000</b> | mm    | 200        | 220         | 120                              |
|                     | inch  | 8          | 8.8         | 4.8                              |
| <b>R130-202-000</b> | mm    | 200        | 320         | 120                              |
|                     | inch  | 8          | 12.8        | 4.8                              |

### With Integrated Hinge & Acrylic Window in Lid

| Part No.            | Units | Width<br>A | Length<br>B | Depth<br>(Including<br>Lid)<br>C |
|---------------------|-------|------------|-------------|----------------------------------|
| <b>R131-120-000</b> | mm    | 120        | 140         | 100                              |
|                     | inch  | 4.8        | 5.6         | 4                                |
| <b>R131-122-000</b> | mm    | 120        | 200         | 100                              |
|                     | inch  | 4.8        | 8           | 4                                |
| <b>R131-124-000</b> | mm    | 120        | 260         | 100                              |
|                     | inch  | 4.8        | 10.4        | 4                                |
| <b>R131-160-000</b> | mm    | 160        | 180         | 100                              |
|                     | inch  | 6.4        | 7.2         | 4                                |
| <b>R131-162-000</b> | mm    | 160        | 260         | 100                              |
|                     | inch  | 6.4        | 10.4        | 4                                |
| <b>R131-164-000</b> | mm    | 160        | 340         | 100                              |
|                     | inch  | 6.4        | 13.6        | 4                                |
| <b>R131-200-000</b> | mm    | 200        | 220         | 120                              |
|                     | inch  | 8          | 8.8         | 4.8                              |
| <b>R131-202-000</b> | mm    | 200        | 320         | 120                              |
|                     | inch  | 8          | 12.8        | 4.8                              |

## Additional Rolec Literature



ROLEC Full Line Catalog  
English / German  
(Available upon request)



ROLEC Ex-Enclosure Catalog  
English / German  
(Available upon request)

## Rolec on the Web

For complete technical information, or inquiries outside of North America, please visit:

[www.rolec.de](http://www.rolec.de)



## Factory Modified Enclosures



- Machining
- Silk Screening
- Hot Stamping
- Special Colors
- Custom Materials

### Easy to quote and order

- Mark up our PDF drawings downloadable from our website
- Modify our AutoCad files downloadable from our website
- Email us at [modifieds@hammondmfg.com](mailto:modifieds@hammondmfg.com)

## Certifications



Applies to aluNORM, conFORM, polyTOP, and polyDOOR Series

## Degree of protection - "IP" Codes Information

Example:

**IP 55**

| I.P. Protection Classification                                     |  |   |
|--|--|---|
| Degrees of contact prevention and guarding against foreign objects |  |   |
| 1st I.P. Digit   | Designation                                | Explanation   |
| 0  | No protection                              | No protection of personnel from direct contact with active or moving parts. No protection from access of solid foreign object.  |
| 1  | Protection against large foreign bodies    | Protection of personnel from accidental large area direct contact with active or internal moving parts (hand contact etc.) but no guard against intentional access to such parts. Protection from access of solid foreign object larger than 12 mm in diameter. |
| 2  | Protection against medium foreign bodies   | Protection of personnel from finger contact with active or internal moving parts. Protection from access of solid foreign object larger than 12 mm in diameter.   |
| 3  | Protection against small foreign bodies    | Protection of personnel from touching active or internal moving parts with tools, wires or similar foreign objects thicker than 2.5 mm. Protection from access of solid foreign matter larger than 2.5 mm in diameter.  |
| 4  | Protection against granular foreign bodies | Protection of personnel from touching active or internal moving parts with tools, wires or similar foreign objects thicker than 1 mm.   |
| 5  | Protection from deposit of dust            | Total protection of personnel from touching voltage carrying or internal moving parts. Protection from harmful deposit of dust. Access of dust is not completely prevented.   |
| 6  | Protection from access of dust             | Total protection of personnel from touching voltage carrying or internal moving parts. Protection from access of dust.  |

| I.P. Protection Classification |  |  |
|--------------------------------|--|--|
| Degrees of water protection    |  |  |
| 2nd I.P. Digit                 | Designation                                      | Explanation  |
| 0                              | No protection                                    | No special protection  |
| 1                              | Protection against water dripping vertically     | Water drops falling vertically must not have any harmful effect.   |
| 2                              | Protection against water dripping off vertically | Water drops falling at any angle up to 15° from the vertical must not have any harmful effect.   |
| 3                              | Protection against spray water                   | Water drops falling at any angle up to 15° from the vertical must not have any harmful effect.   |
| 4                              | Protection against splash water                  | Water splashing against the object from all directions must not have any harmful effect.   |
| 5                              | Protection against jet water                     | A jet of water nozzled from all directions must not have any harmful effect.   |
| 6                              | Protection against flooding                      | Water from temporary flooding, such as heavy seas, must not enter in any harmful quantity.   |
| 7                              | Protection in dipped state                       | If the object is dipped into water under the defined conditions of pressure and time, water must not enter it in any harmful quantity. |
| 8                              | Protection in submerged state                    | If the object is submerged in water, water must not enter in any harmful quantity.   |

## Additional Hammond Literature



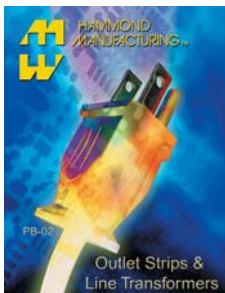
Catalog  
9R

Electronic  
Racks



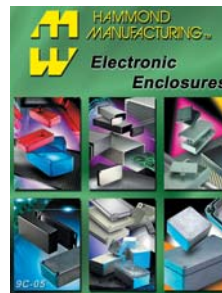
Catalog  
E5

Industrial Electrical  
Enclosures



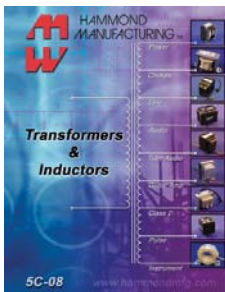
Catalog  
PB

Power Outlet  
Strips



Catalog  
9C

Electronic  
Enclosures



Catalog  
5C

Electronic  
Transformers



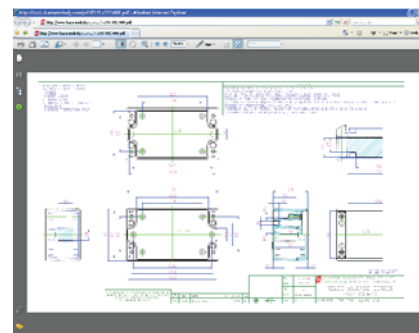
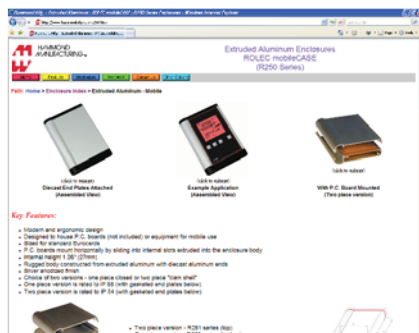
Catalog  
9C-R1

Ritec  
Enclosures

## Hammond on the Web

For detailed drawings, CAD files, catalog requests and downloads please visit Hammond's website at:

[www.hammondmfg.com](http://www.hammondmfg.com)



Technical references and CAD downloads available at [www.hammondmfg.com](http://www.hammondmfg.com)



# HAMMOND MANUFACTURING™



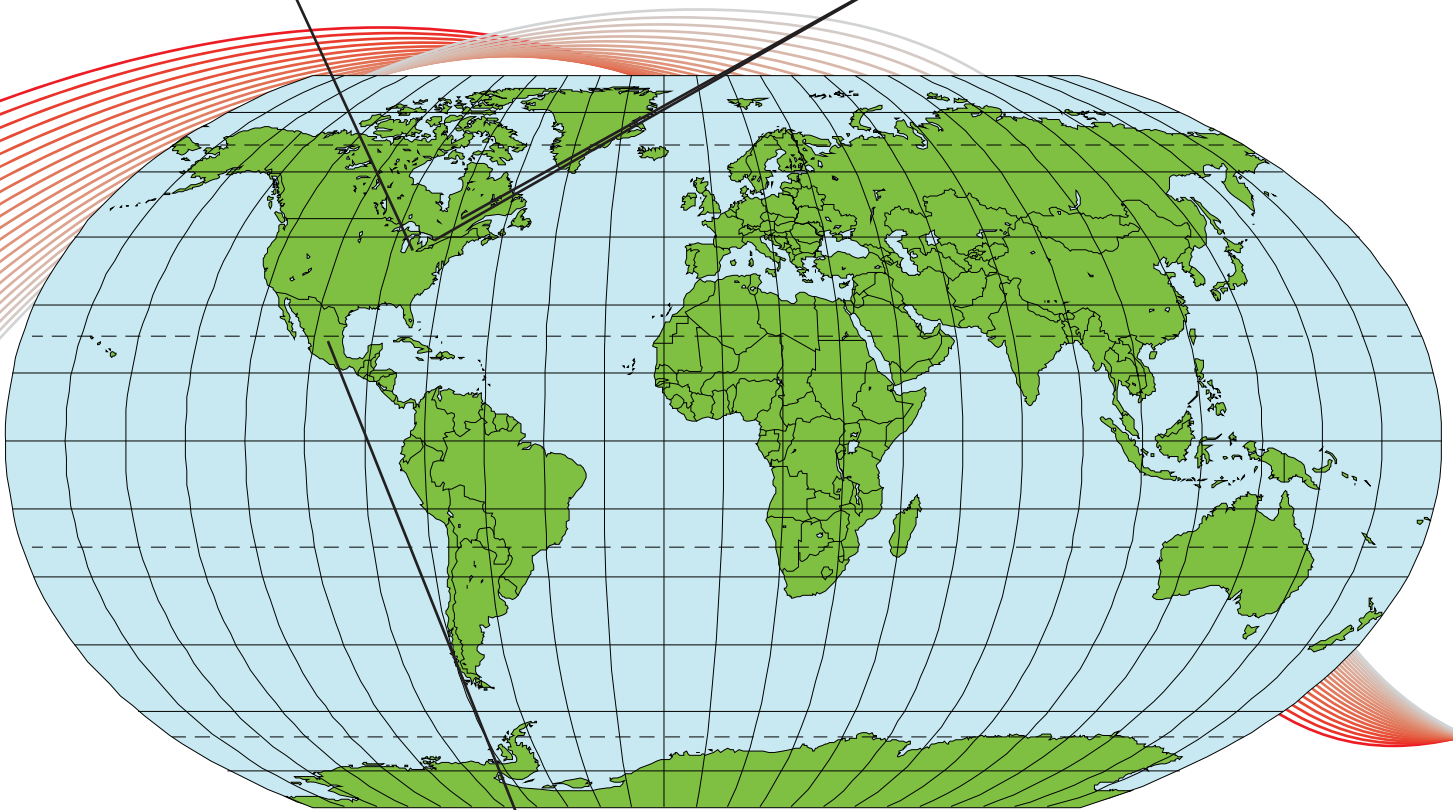
## USA

Hammond Mfg. Co. Inc.  
475 Cayuga Road  
Cheektowaga, NY 14225  
Tel: (716) 630-7030  
Fax: (716) 630-7042

## Canada

Hammond Mfg. Co. Ltd.  
394 Edinburgh Road North  
Guelph, Ontario N1H 1E5  
Tel: (519) 822-2960  
Fax: (519) 822-0715

Les Fabrications Hammond  
(Quebec) Inc.  
4240 Seré Street  
St. Laurent, Quebec H4T 1A6  
Tel: (514) 343-9010  
Fax: (514) 343-9941



## Mexico

Hammond Mfg. Co. Inc.  
475 Cayuga Road  
Cheektowaga, NY 14225  
Tel: +1 716 630 7030  
Fax: +1 716 630 7042

[www.hammondmfg.com](http://www.hammondmfg.com)