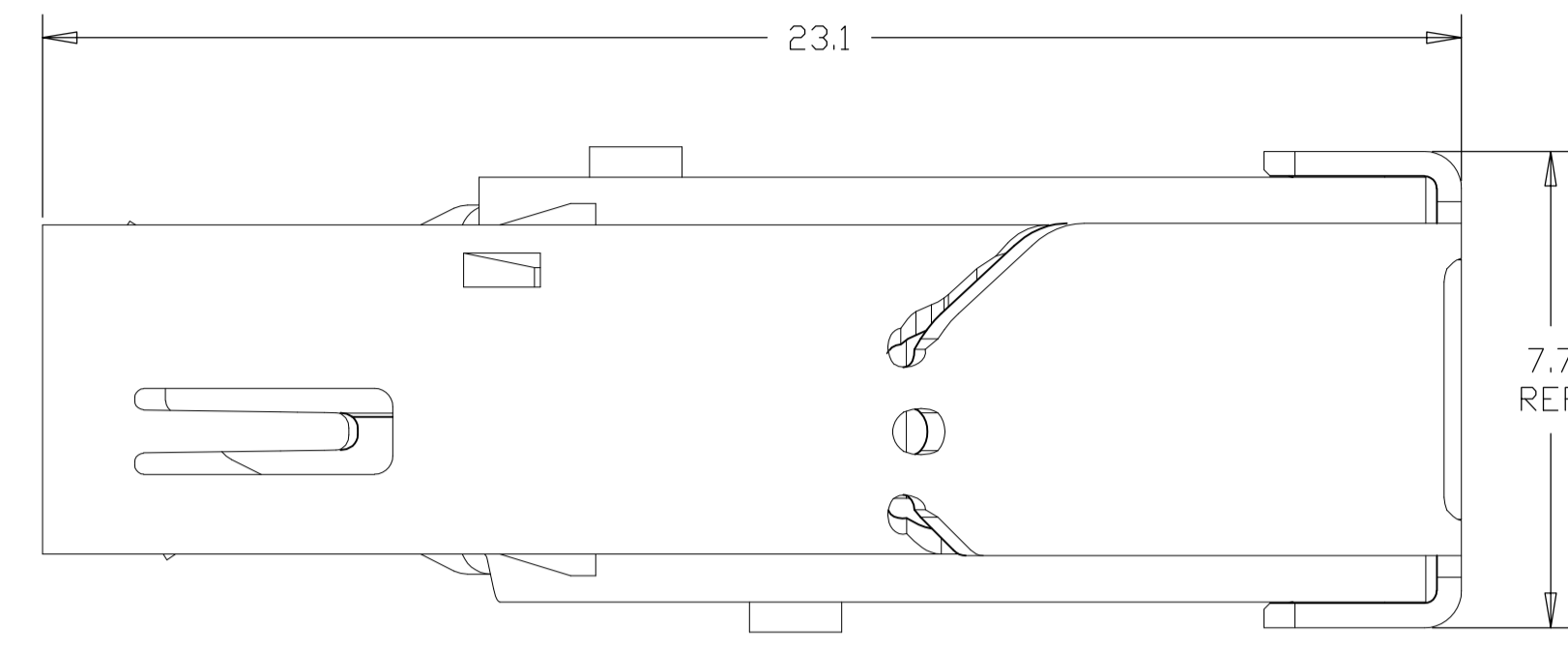
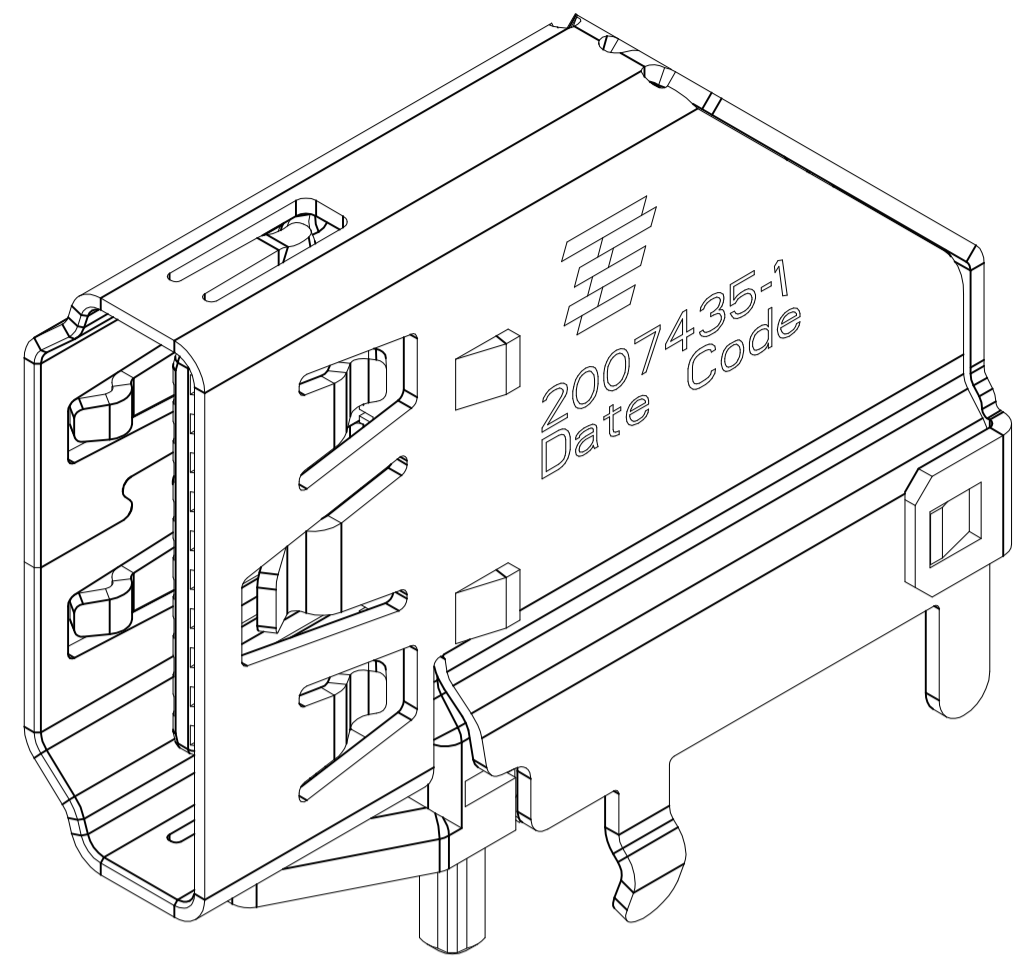
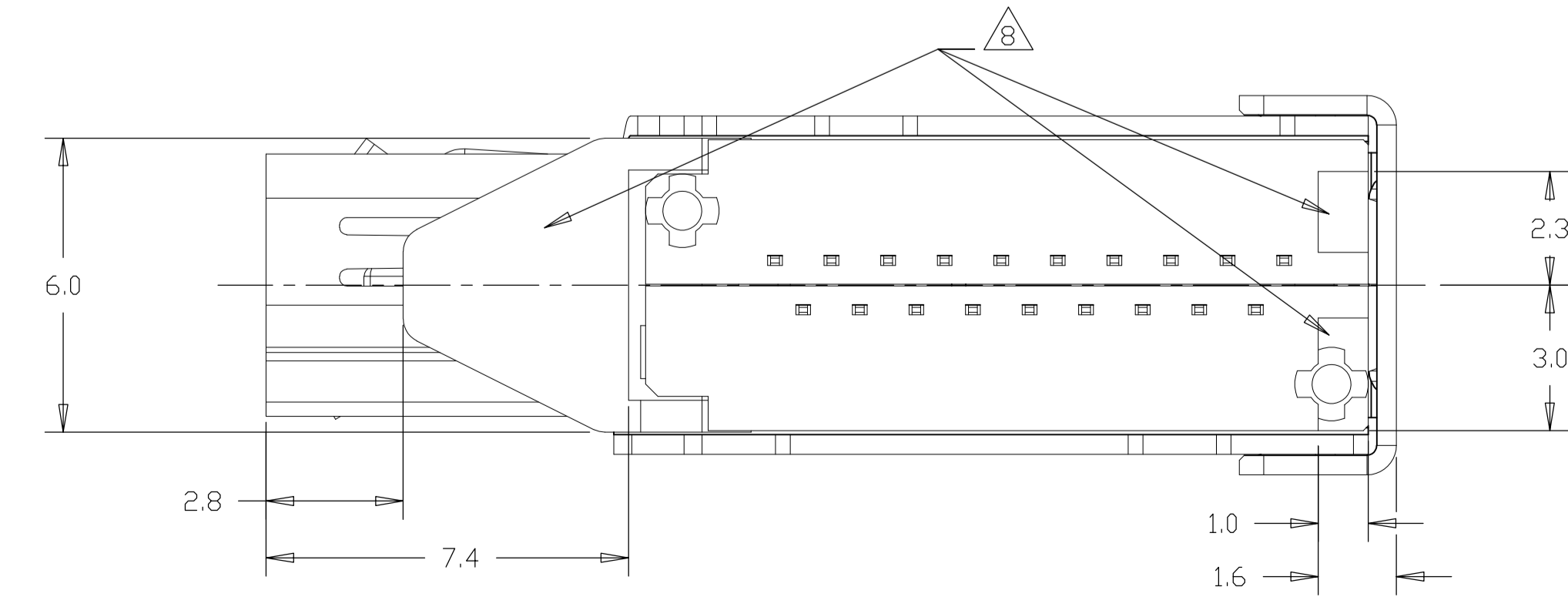
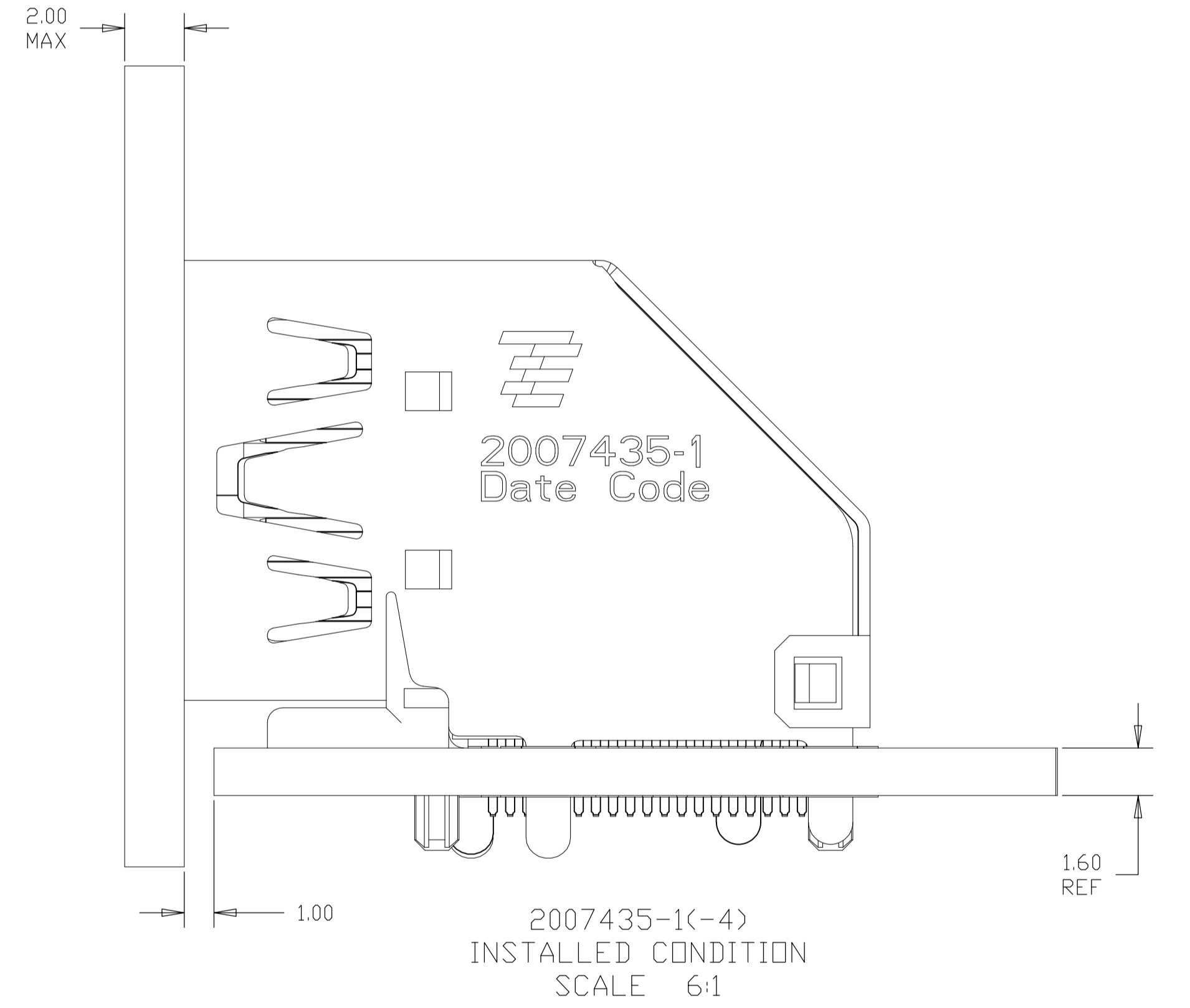
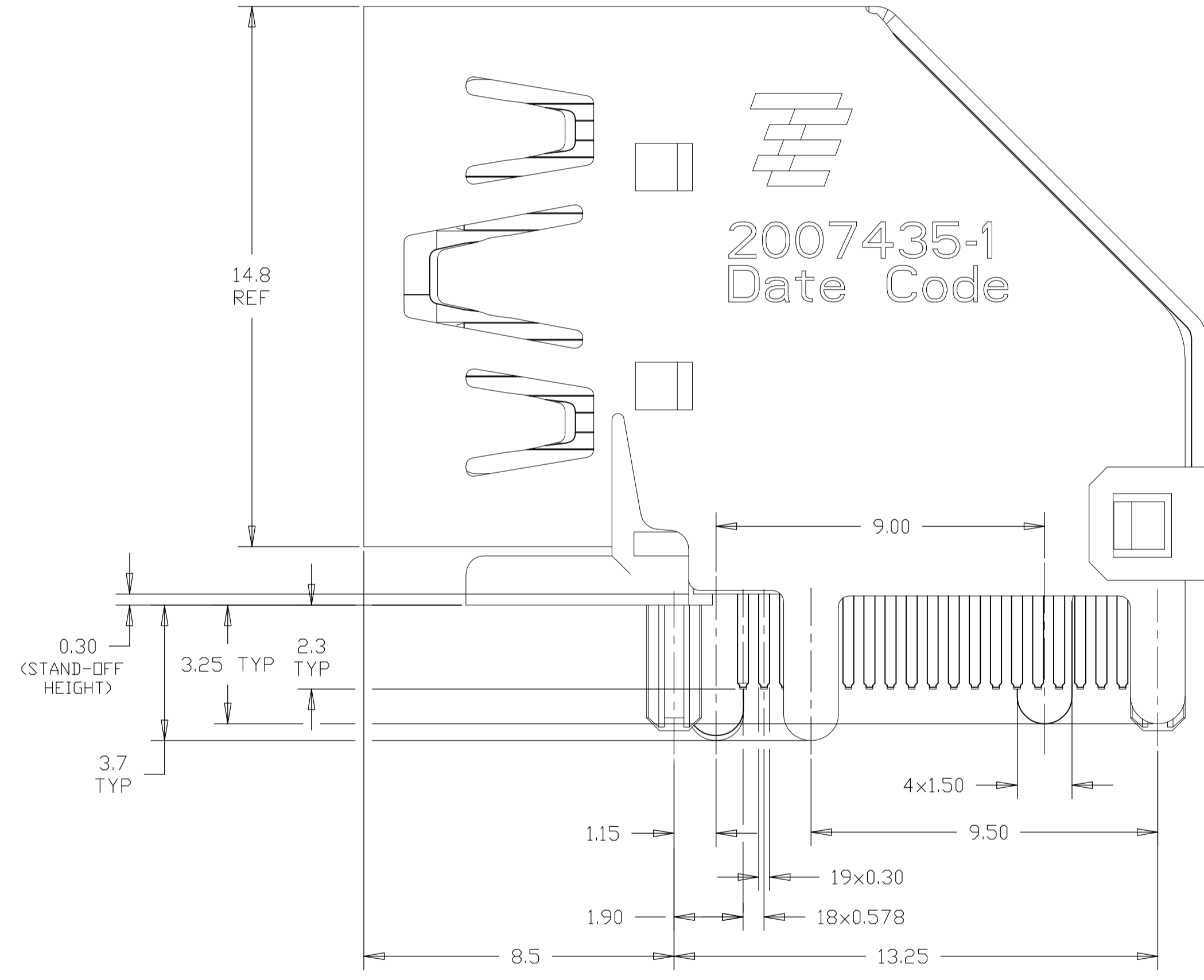
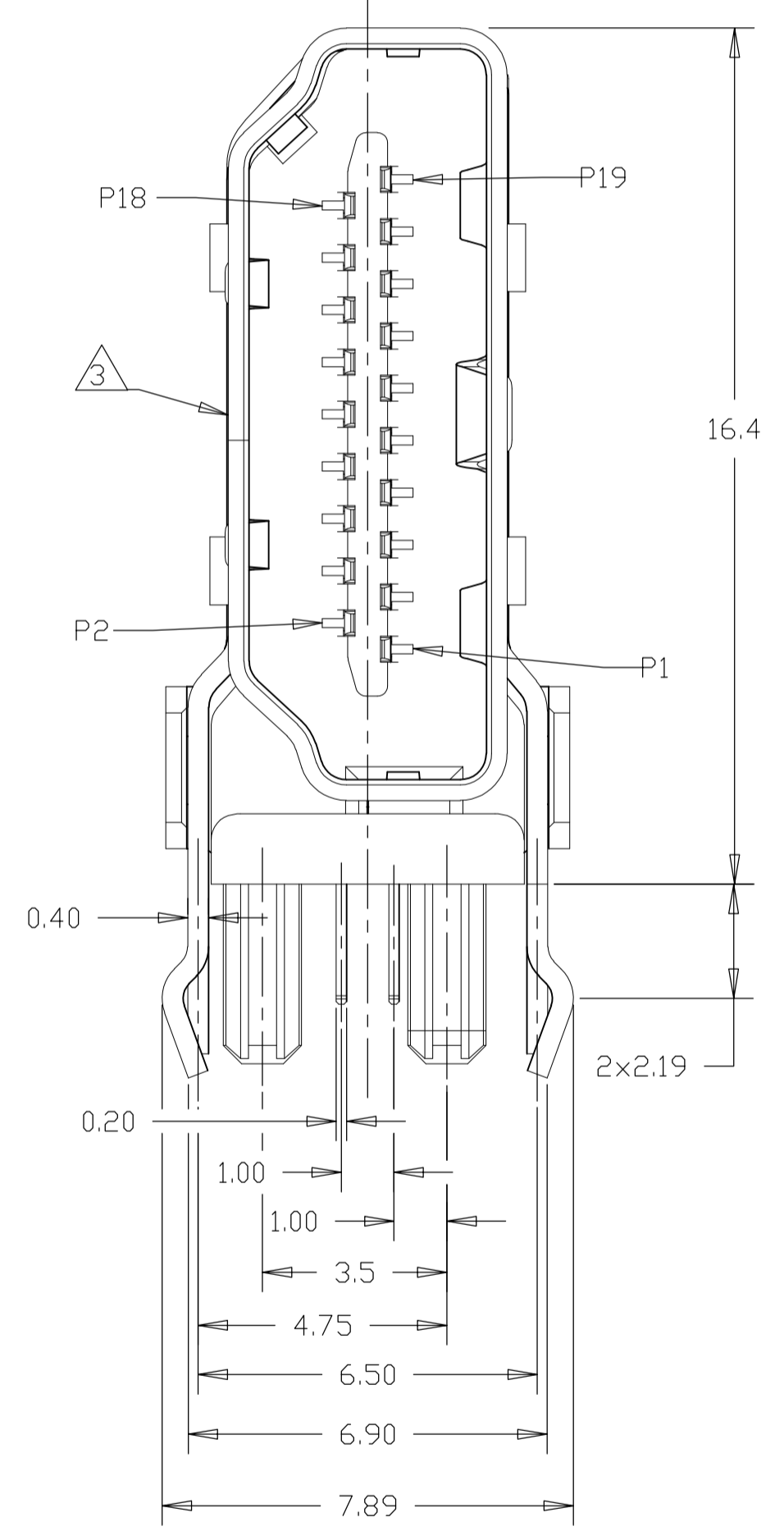


REVISONS		DATE	DN	APVD
P	LTR	DESCRIPTION		
C		RELEASE PER ECR-10-024107	8/31/2010	FL SY
C1		RELEASE PER ECR-11-016951	7/20/2011	JJ SY
D		RELEASED PER ECR-12-000920	11/08/2011	JJ SY



- 1 MATERIALS:**  
 HOUSING: HIGH TEMP THERMOPLASTIC, UL94V-0, BLACK, PBT.  
 CONTACTS: COPPER ALLOY.  
 SHIELD: STAINLESS STEEL.
- 2 FINISH:**  
 CONTACTS:  
 MATING AREA: CONFORMS TO HDMI SPECIFICATION VERSION 1.3a, TABLE 4-6 AND 4-7 (ELECTRICAL AND ENVIRONMENTAL PERFORMANCE), BASED ON EIA/ECA - 364-1000.01A (CONTROLLED ENVIRONMENT APPLICATIONS).  
 SOLDER TAILS: TIN OVER NICKEL.
- 3 INTERFACE DIMENSIONS PER HDMI SPECIFICATION VERSION 1.3a.**
- 4 WAVE SOLDER COMPATIBLE PER 109-202. CONDITION B. NO CLEAN FLUX IS RECOMMENDED.**
- 5 THIS DIMENSION HAS AN ADDITIONAL 1.0 CLEARANCE OVER HDMI V1.3a SPECIFICATION MAXIMUM CABLE TYPE A PLUG HEIGHT.**
- 6 REMOVE CAP IS RECOMMENDED AFTER WAVE SOLDER.**
- 7 MATERIALS:**  
 HOUSING: HIGH TEMP THERMOPLASTIC, UL94V-0, BLACK, LCP.  
 CONTACTS: COPPER ALLOY.  
 SHIELD: STAINLESS STEEL.
- 8 STAND-OFF AREA.**

2007435-1(-4)  
 SCALE 6:1



EMBOSS TAPE	WITHOUT POLYIMIDE TAPE	WITHOUT KINK AND WITH CAP	0.38 μm	△	2.00	2007435-7
EMBOSS TAPE	WITH POLYIMIDE TAPE	WITHOUT KINK AND WITHOUT CAP	0.38 μm	△	2.00	2007435-6
TRAY	WITHOUT POLYIMIDE TAPE	WITH KINK AND WITH CAP	0.38 μm	△	1.60	2007435-5
		WITH KINK AND WITHOUT CAP	0.76 μm	△	1.60	2007435-4
		WITHOUT KINK AND WITH CAP	0.38 μm	△	1.60	2007435-3
		WITHOUT KINK AND WITHOUT CAP	0.38 μm	△	2.40	2007435-2
PACKAGE		WITH KINK AND WITHOUT CAP	0.38 μm	△	1.60	2007435-1
PACKAGE	REMARK	GOLD PLATING ON CONTACT AREA	MATERIAL	PCB THICKNESS	PART NO.	

THIS DRAWING IS A CONTROLLED DOCUMENT.

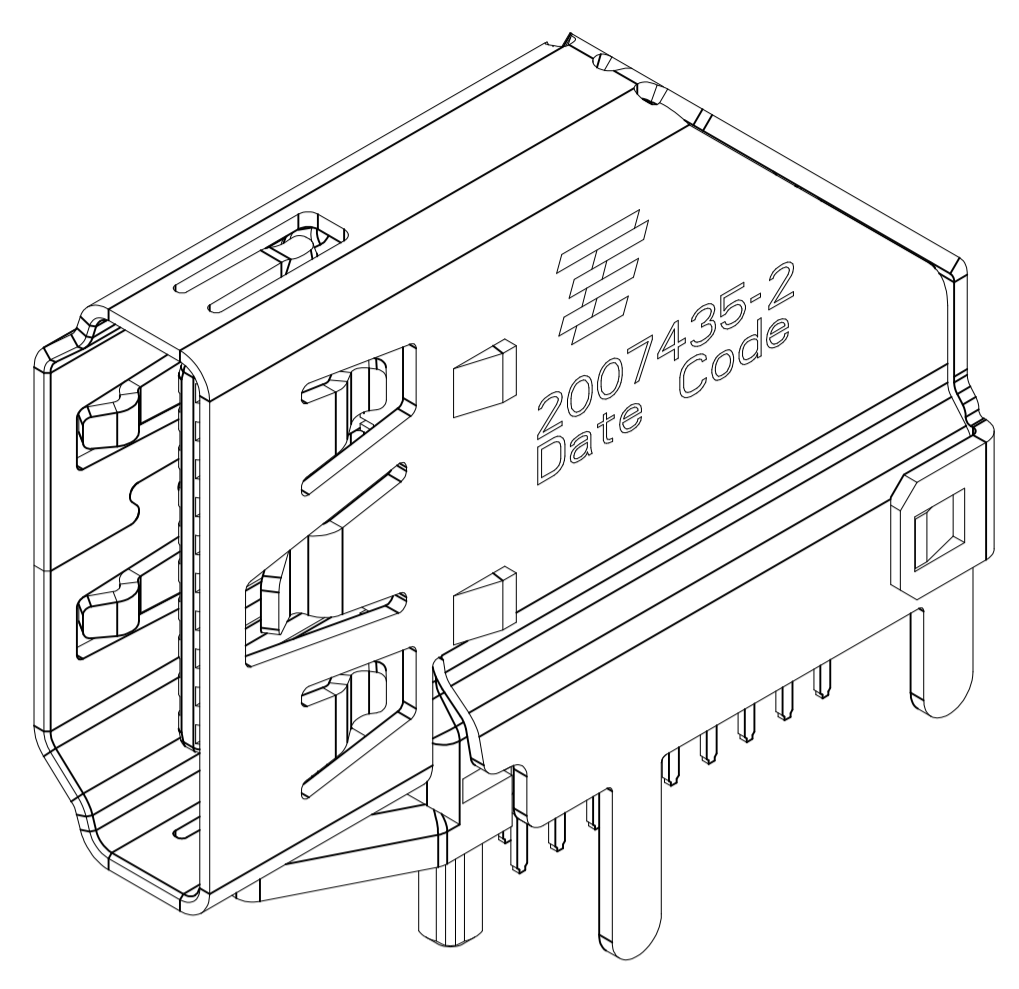
DIMENSIONS: mm  
 TOLERANCES UNLESS OTHERWISE SPECIFIED:  
 0. PLC ± -  
 1. PLC ± 0.3  
 2. PLC ± 0.25  
 3. PLC ± 0.100  
 4. PLC ± 0.1000  
 ANGLES ± 5

MATERIAL: SEE TABLE  
 FINISH: △2

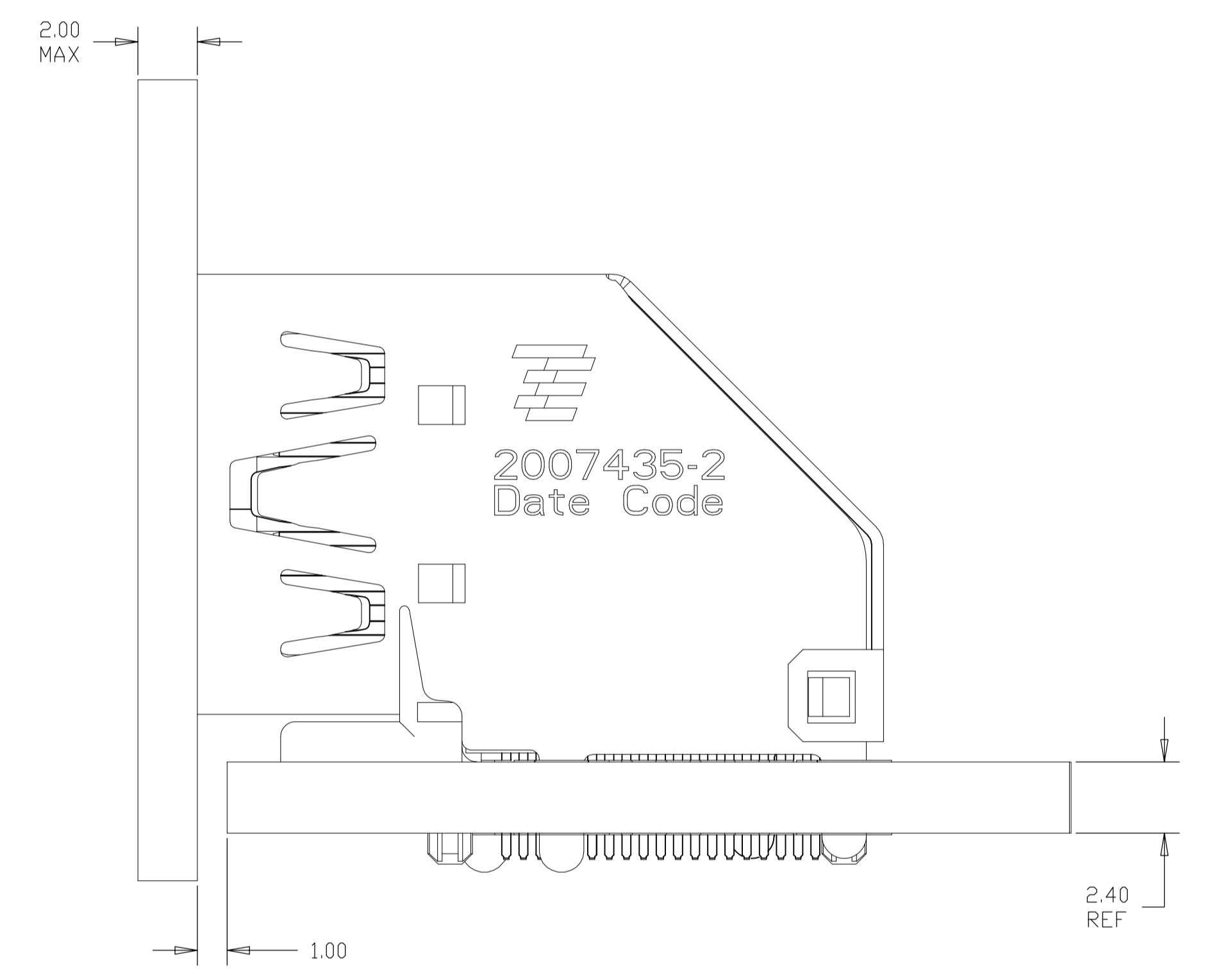
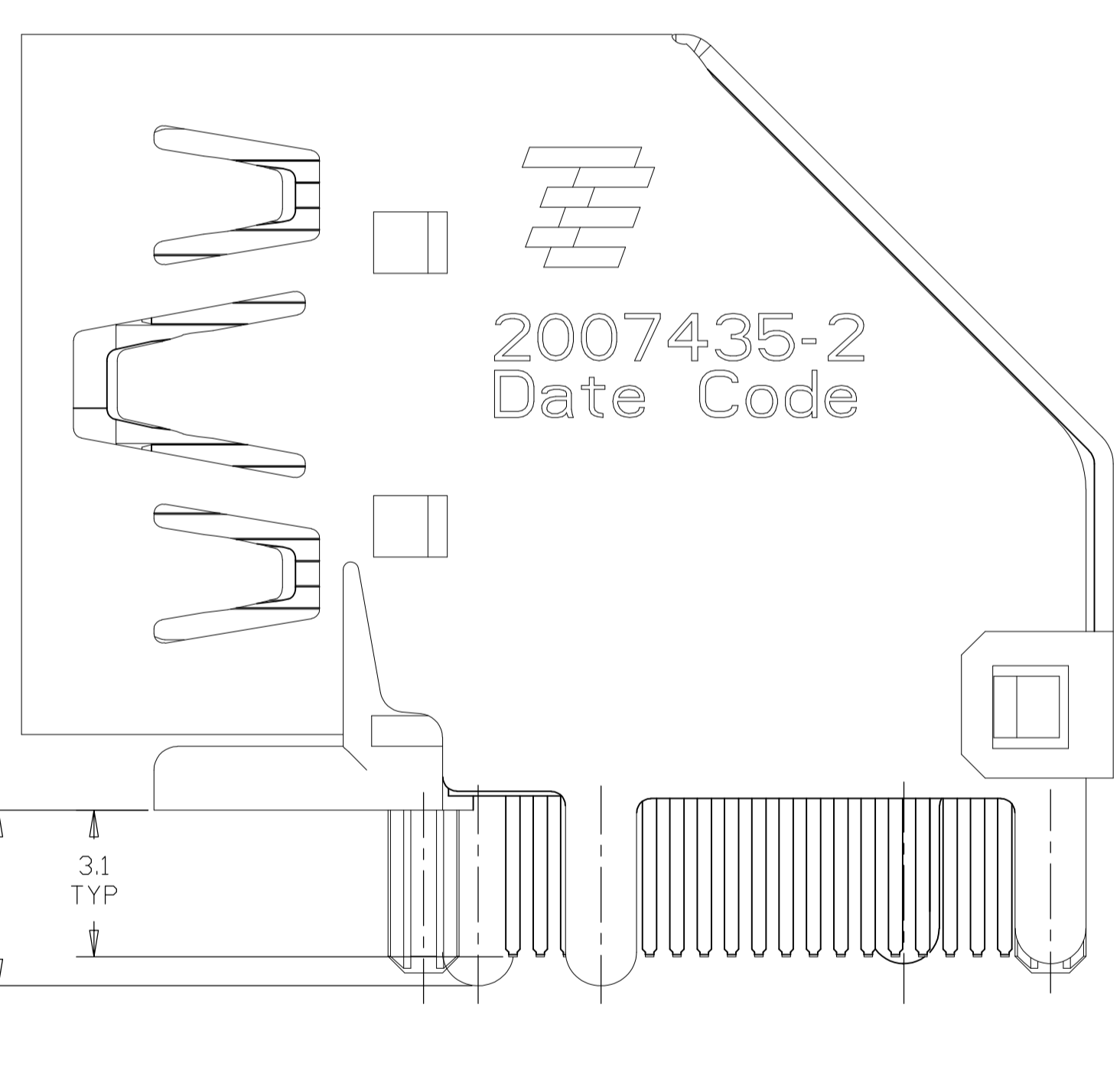
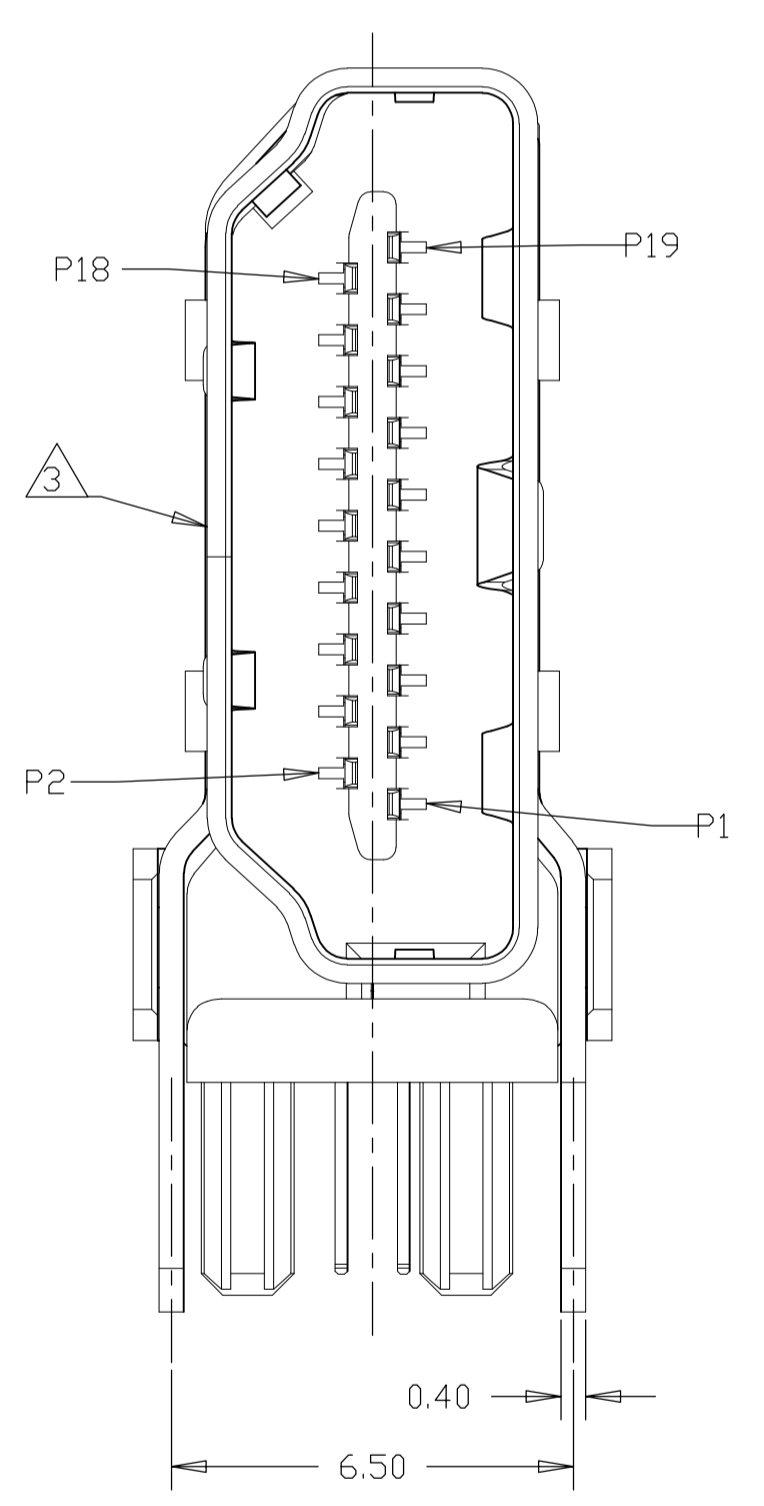
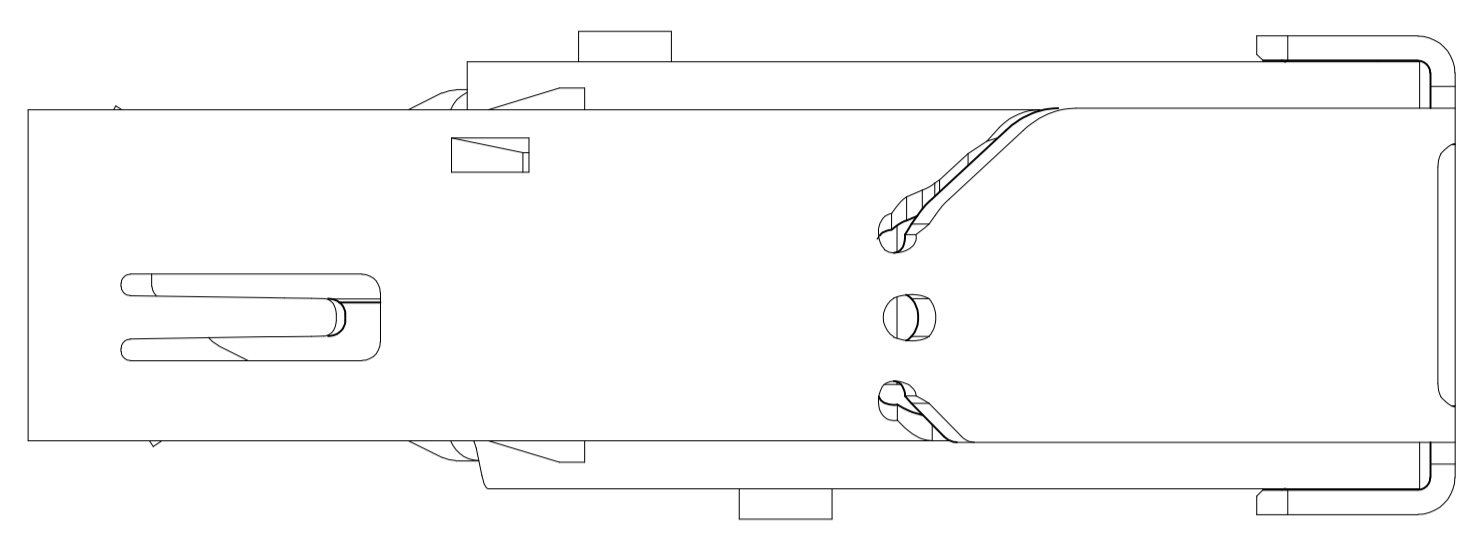
DWG: Francis Lee 31AUG2010  
 CHK: Martin Li 31AUG2010  
 APVD: Steven Yao 31AUG2010  
 NAME: STEVEN YAO  
 PRODUCT SPEC: 108-60079  
 APPLICATION SPEC: -  
 SIZE: A1  
 CAGE CODE: 00779  
 DRAWING NO: C=2007435  
 WEIGHT: -  
 CUSTOMER DRAWING: -  
 SCALE: 8:1  
 SHEET: 1 of 9  
 REV: D

**STE** TE Connectivity  
 HDMI FLAG CONNECTOR ASSEMBLY

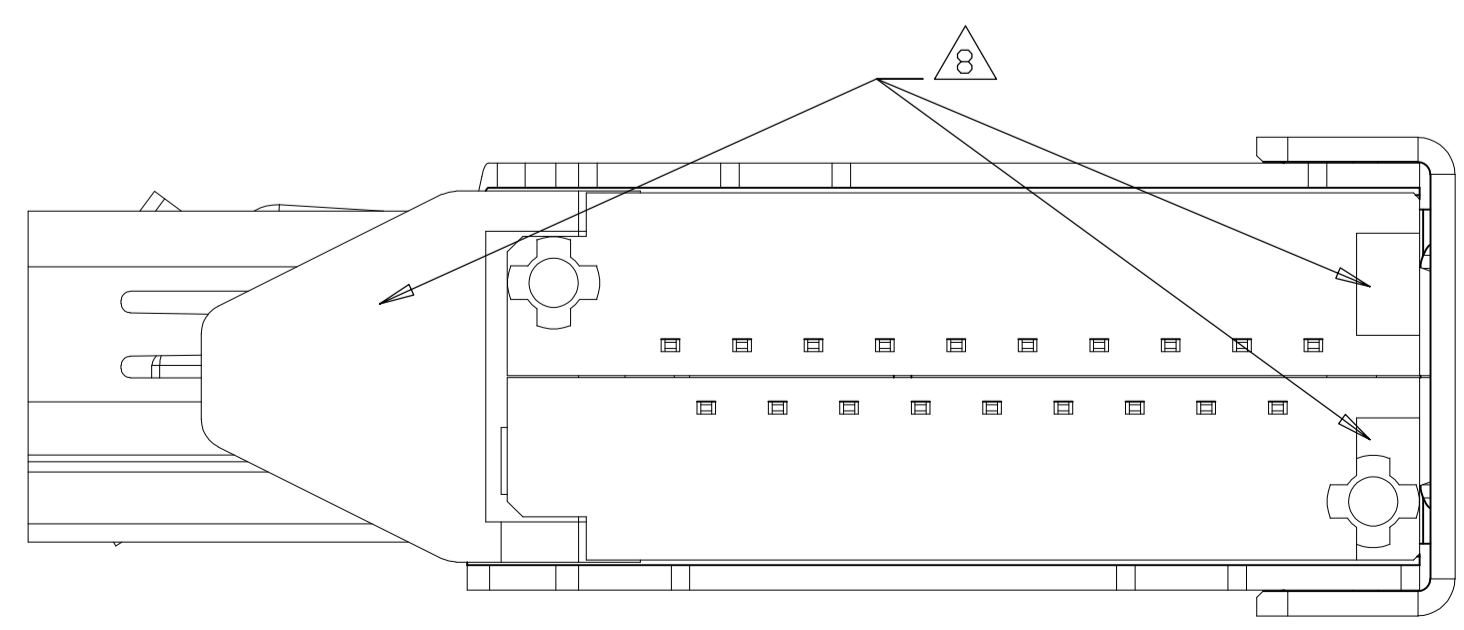
LOC		DIST		REVISIONS			
P	LTR	DESCRIPTION	DATE	DN	APVD		
-	-	SEE SHEET 1	-	-	-	-	-



2007435-2 WITHOUT BOARD LOCK,  
 UNMARKED DIMENSIONS SAME AS 2007435-1  
 SCALE 6:1

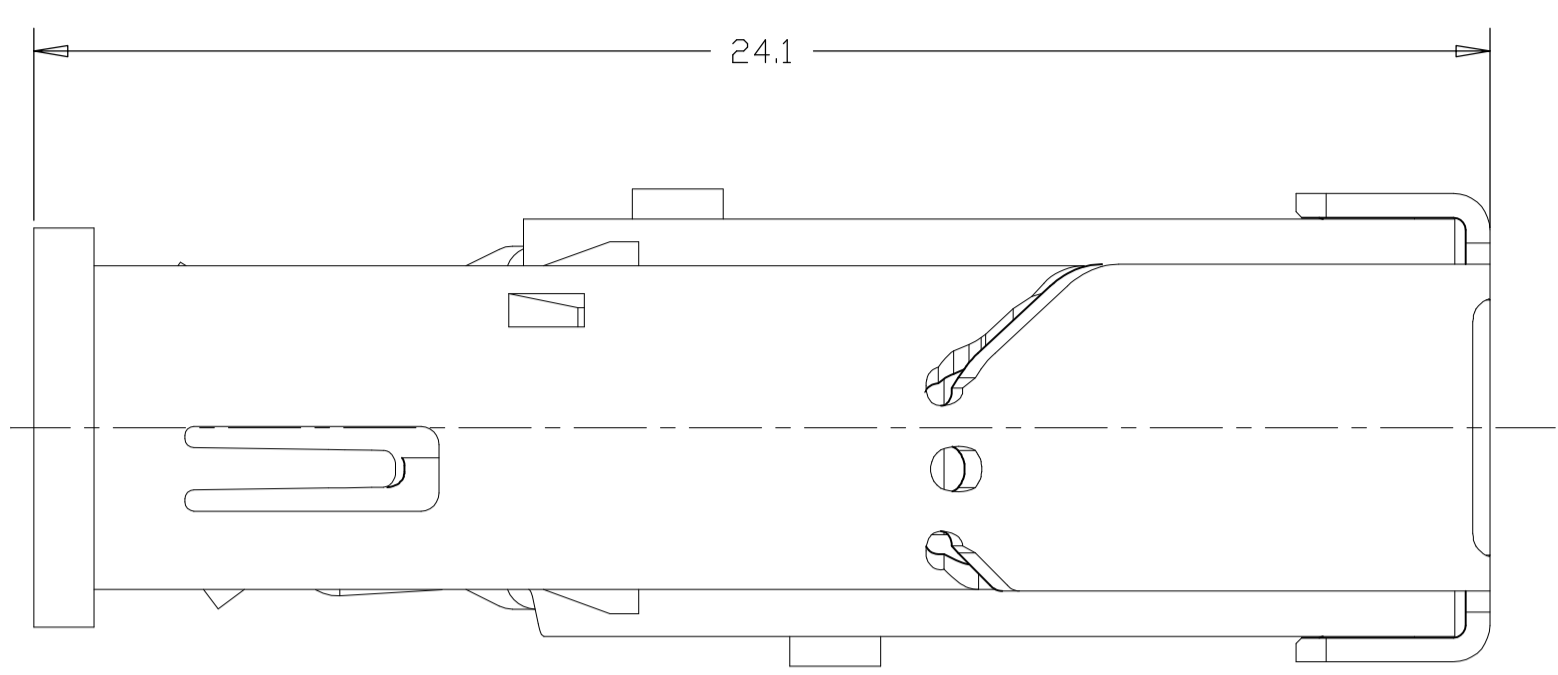
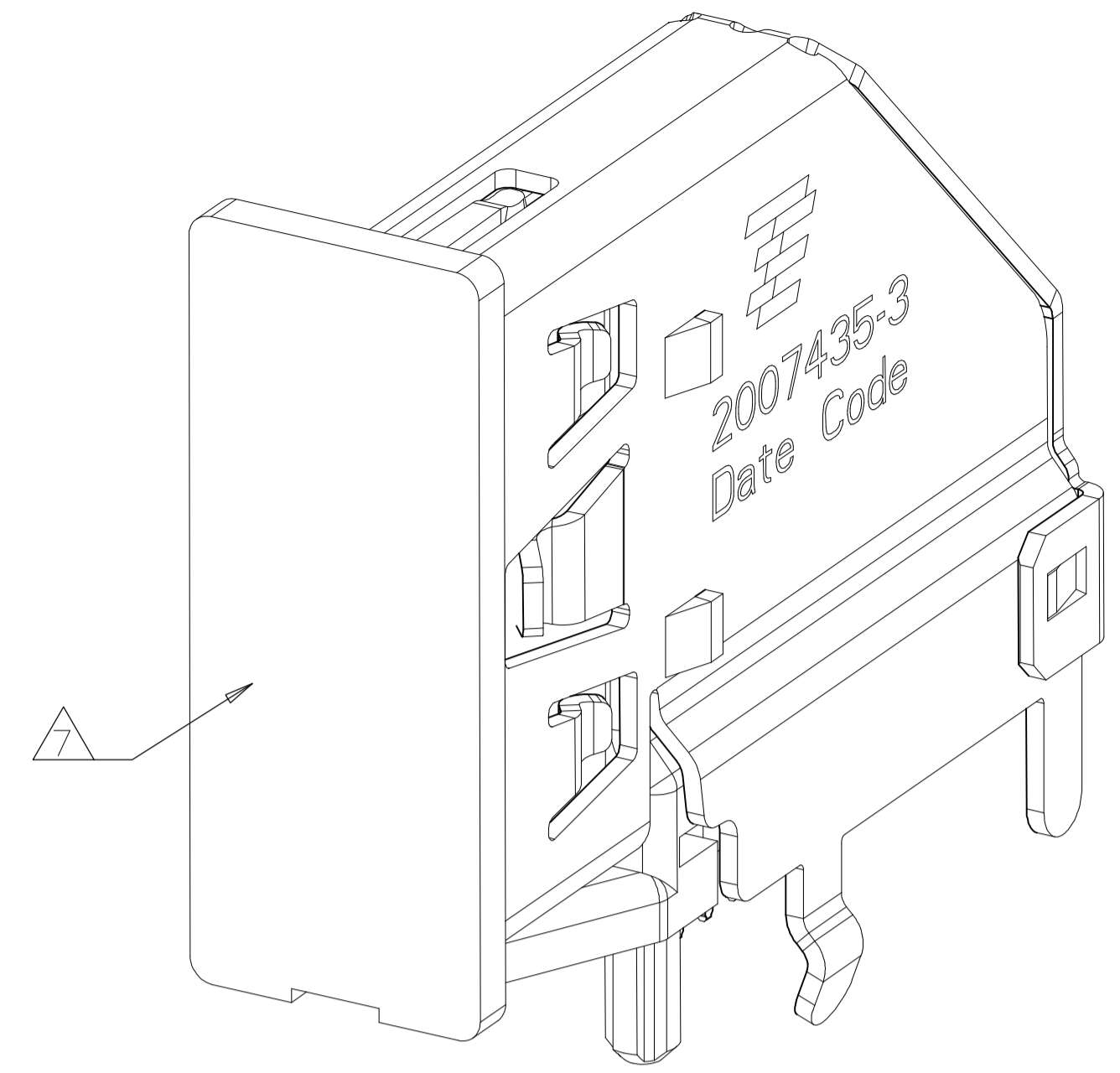


2007435-2  
 INSTALLED CONDITION  
 SCALE 6:1

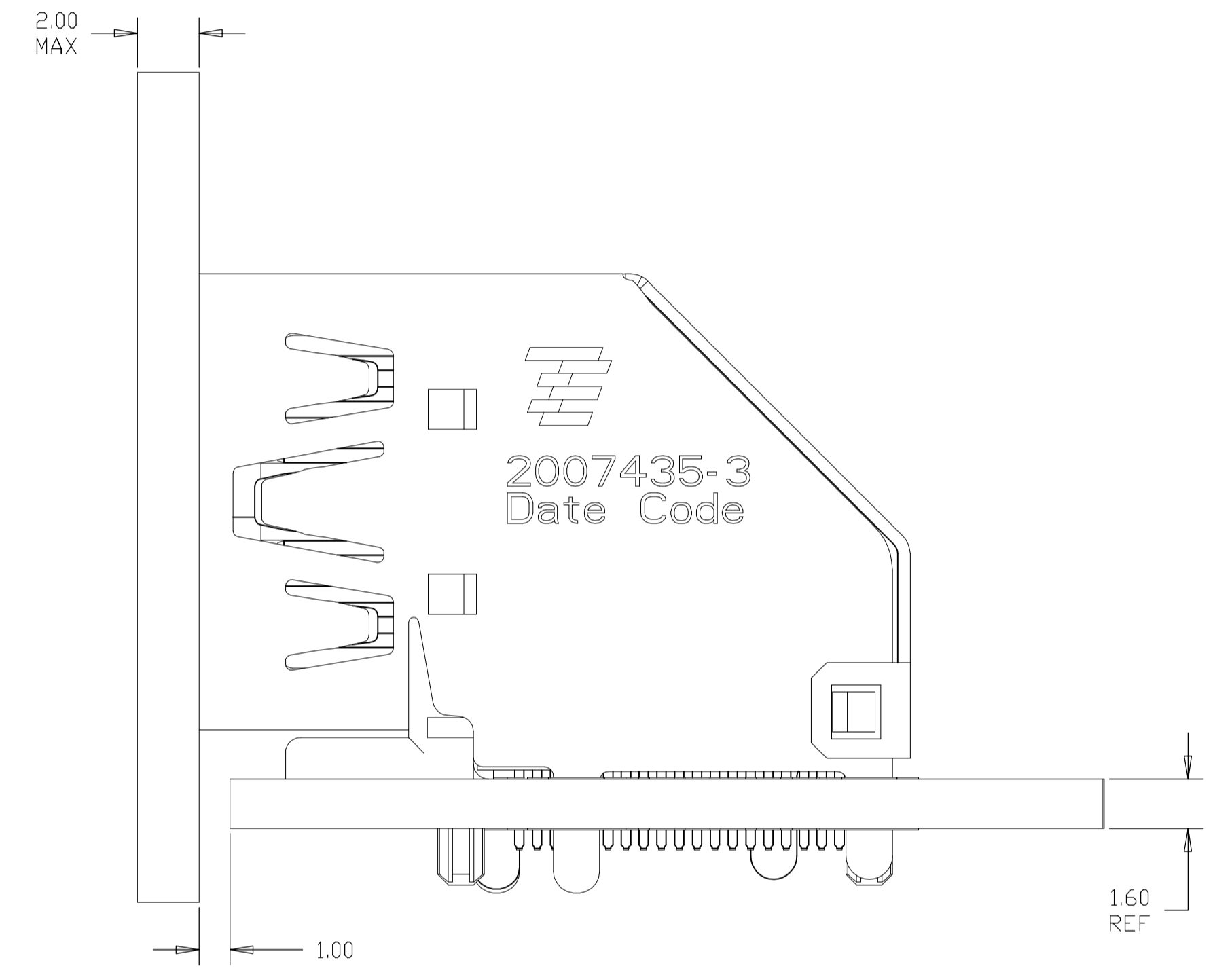
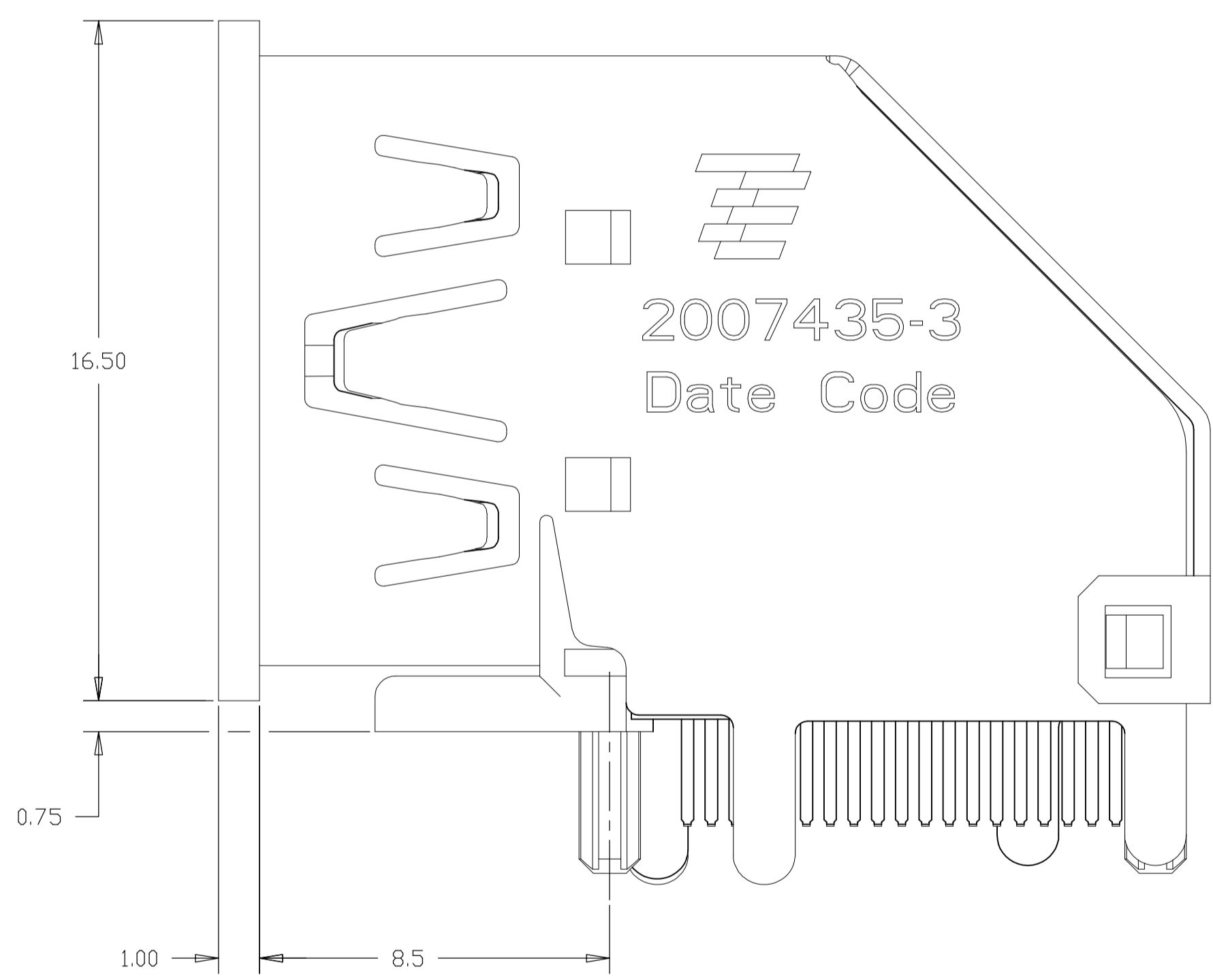
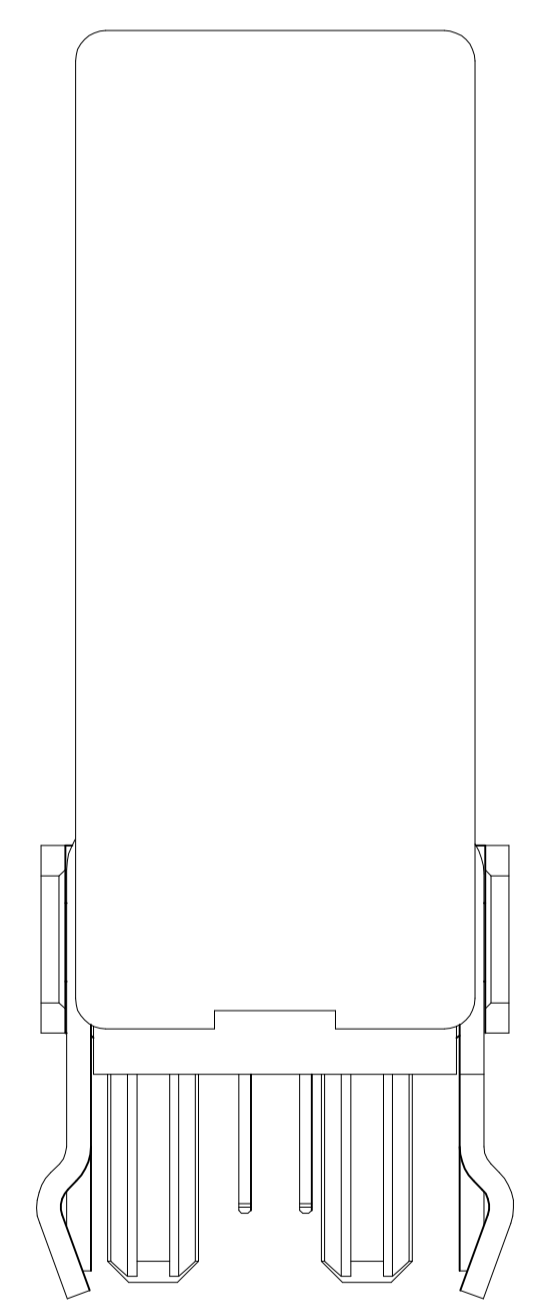


THIS DRAWING IS A CONTROLLED DOCUMENT.		DIN	STE TE Connectivity	
DIMENSIONS:	TOLERANCES UNLESS OTHERWISE SPECIFIED:	CHK	NAME	
mm	0. PLC ± -	APVD	HDMI FLAG CONNECTOR ASSEMBLY	
	1. PLC ± 0.3	PRODUCT SPEC	-	
	2. PLC ± 0.25	APPLICATION SPEC	-	
	3. PLC ± 0.100	WEIGHT	-	
	4. PLC ± 0.1000	CUSTOMER DRAWING	-	
ANGLES	± -	SIZE	A1	00779
MATERIAL	FINISH	SCALE	8:1	SHEET 2 OF 9
SEE TABLE		REV	D	

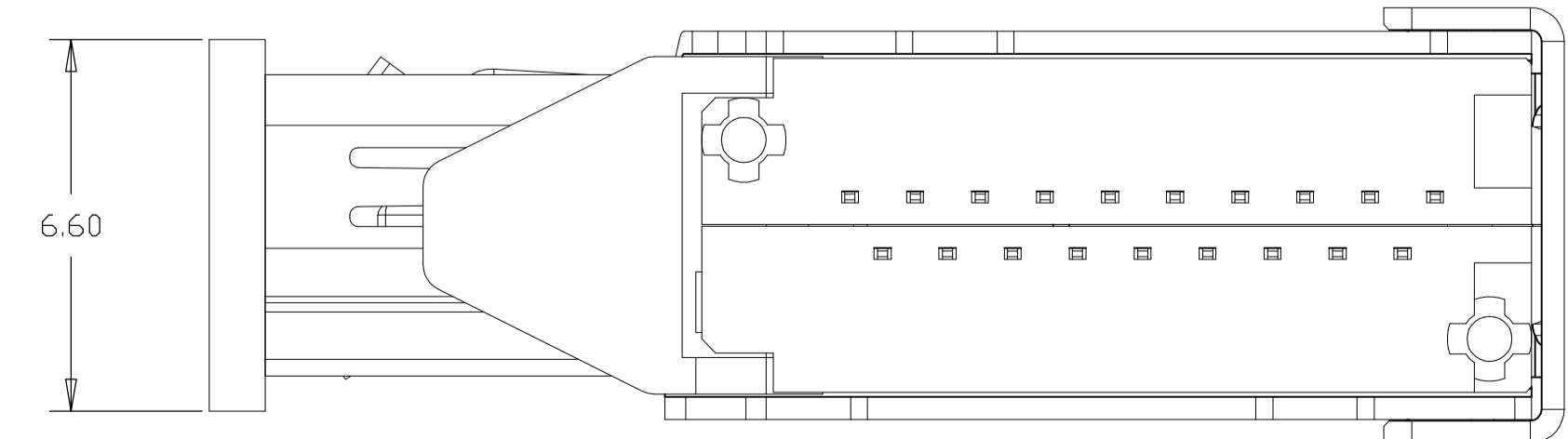
LOC		DIST		REVISIONS			
P	LTR	DESCRIPTION	DATE	DN	APVD		
-	-	SEE SHEET 1	-	-	-	-	-



2007435-3(-5) WITH CAP, UNMARKED  
 DIMENSIONS SAME AS 2007435-1  
 SCALE 6:1

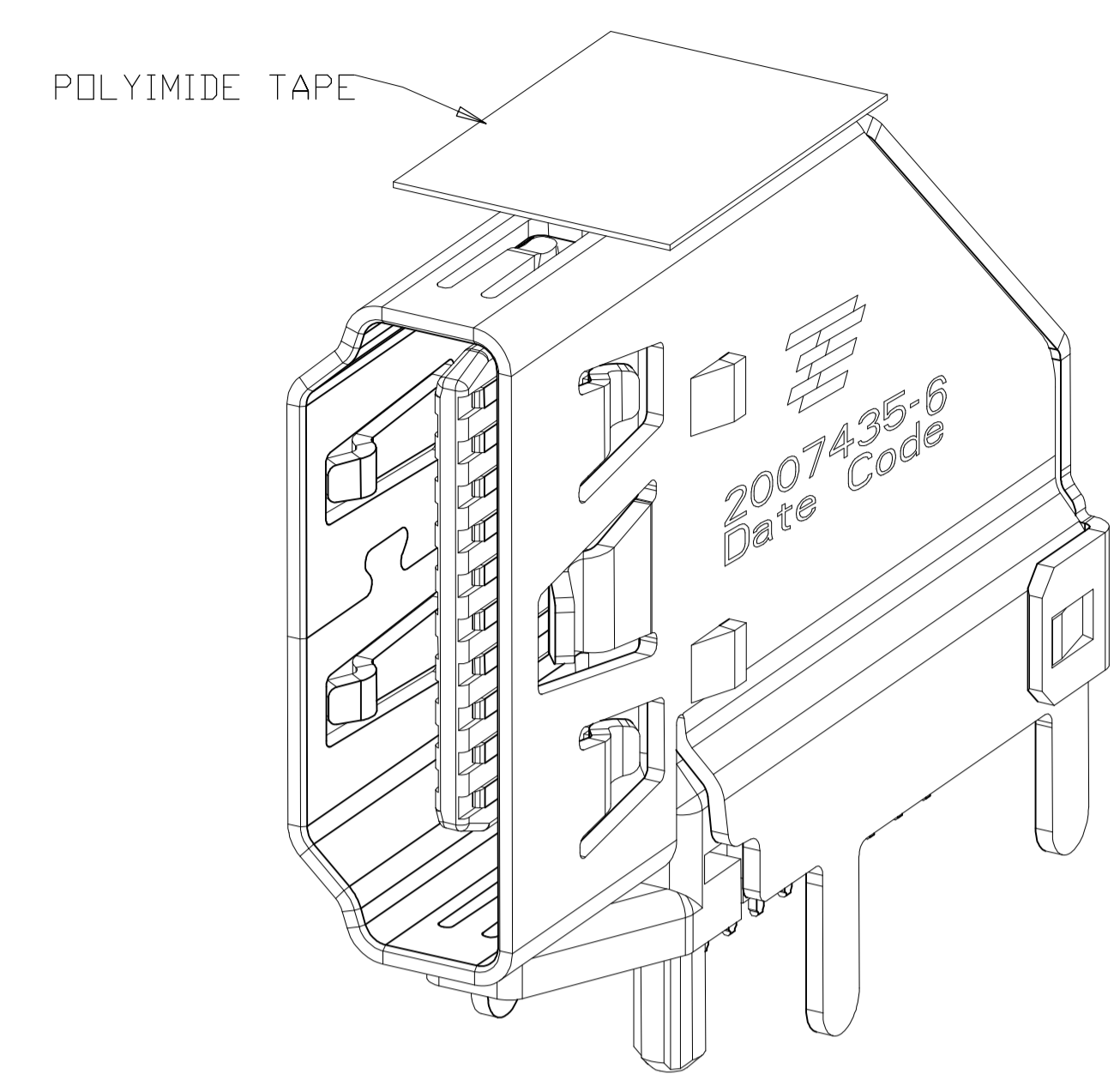
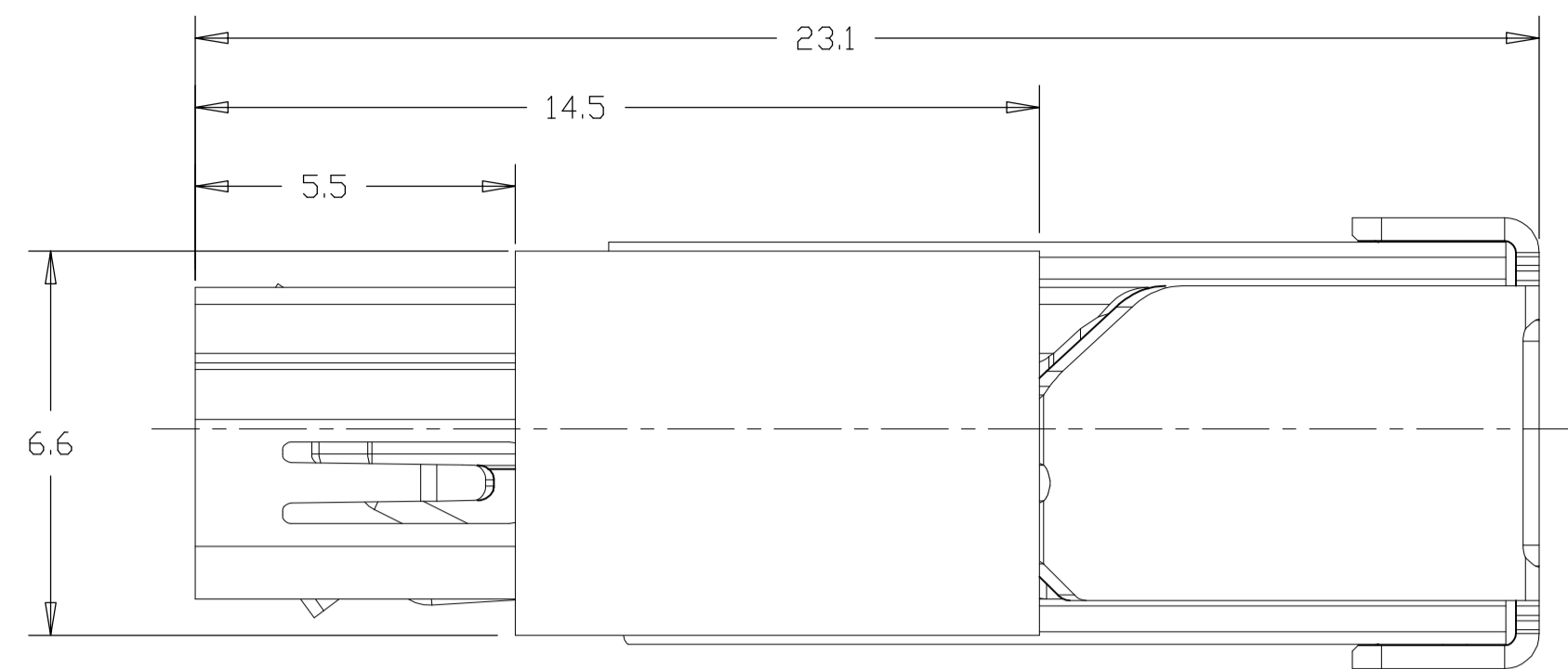


2007435-3(-5)  
 INSTALLED CONDITION  
 (ONLY FOR AFTER REMOVE CAP)  
 SCALE 6:1

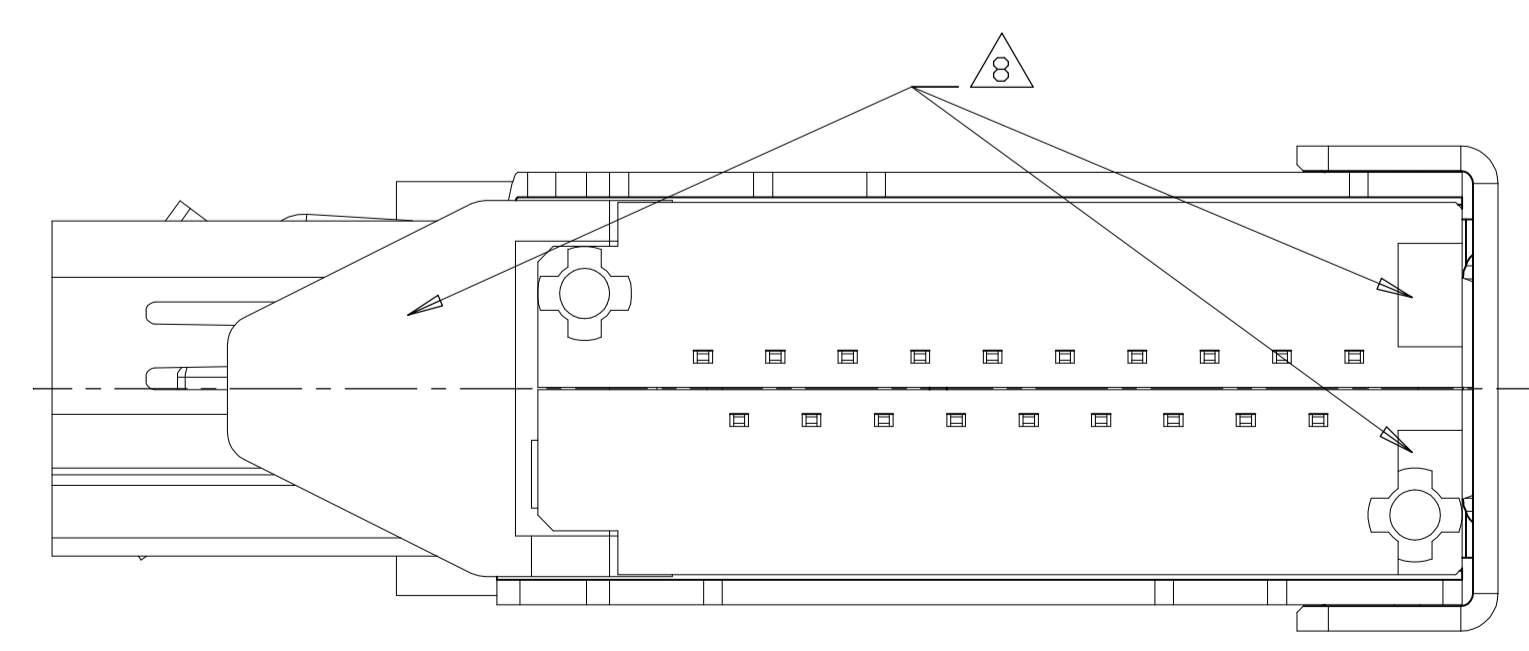
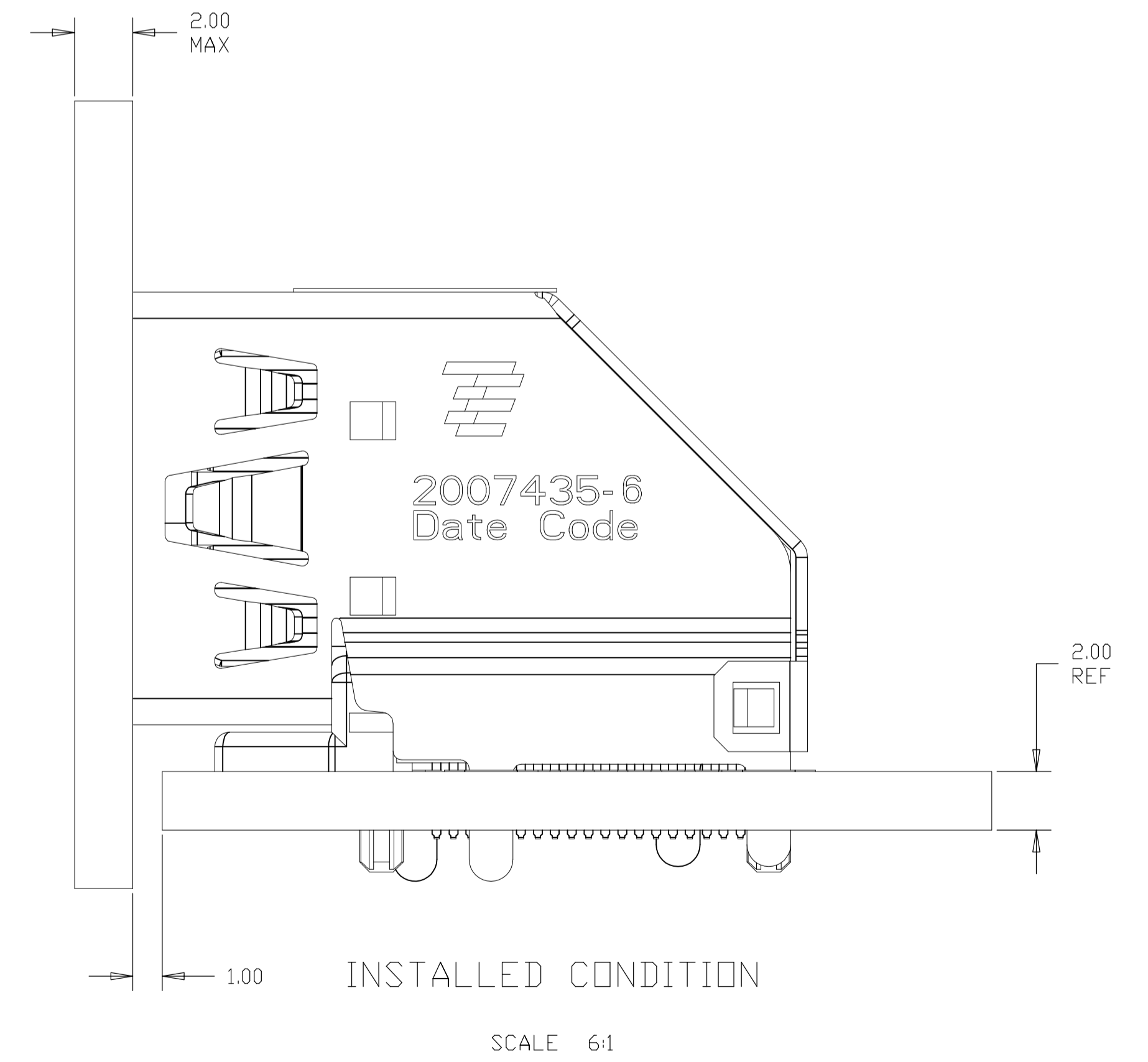
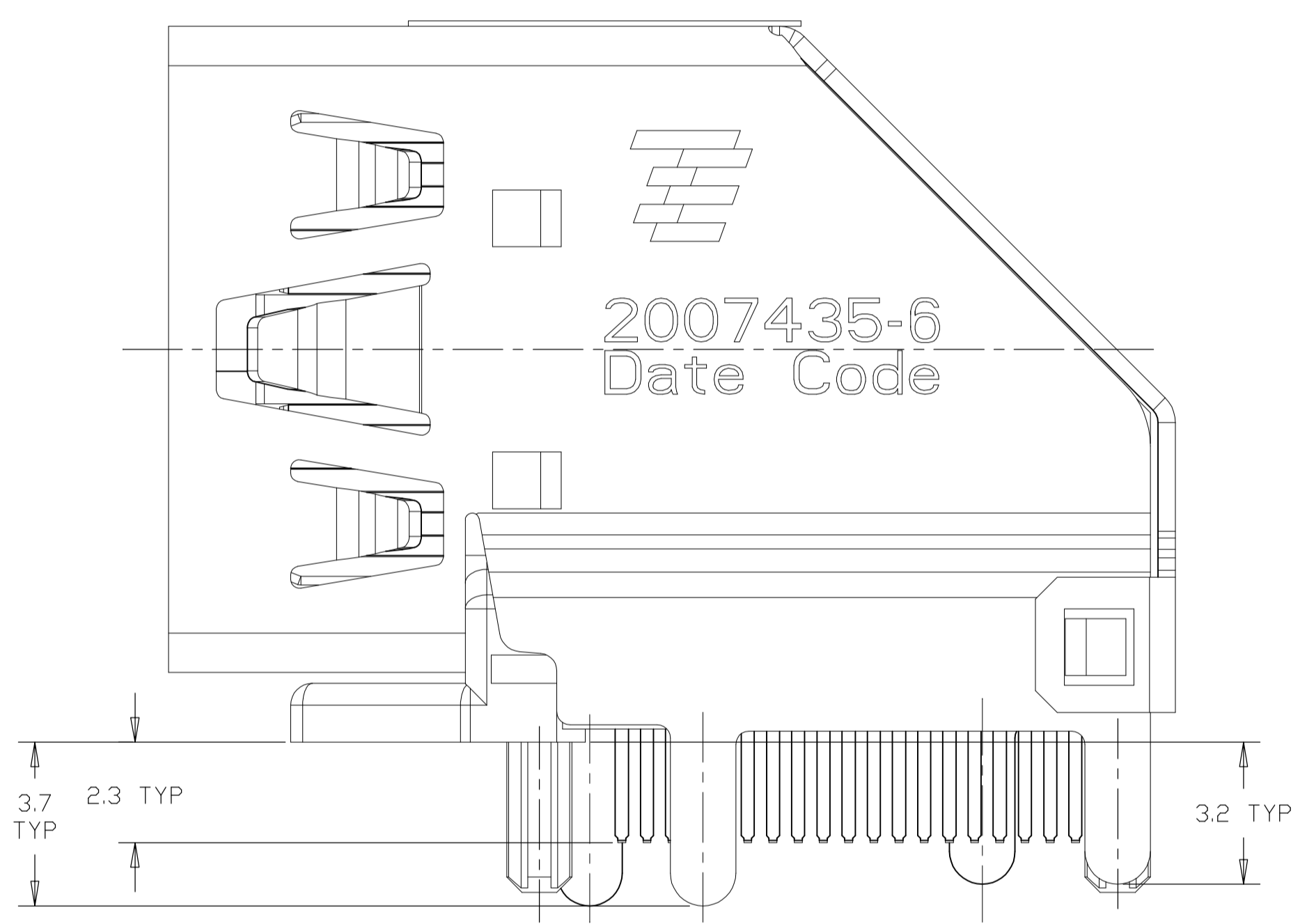
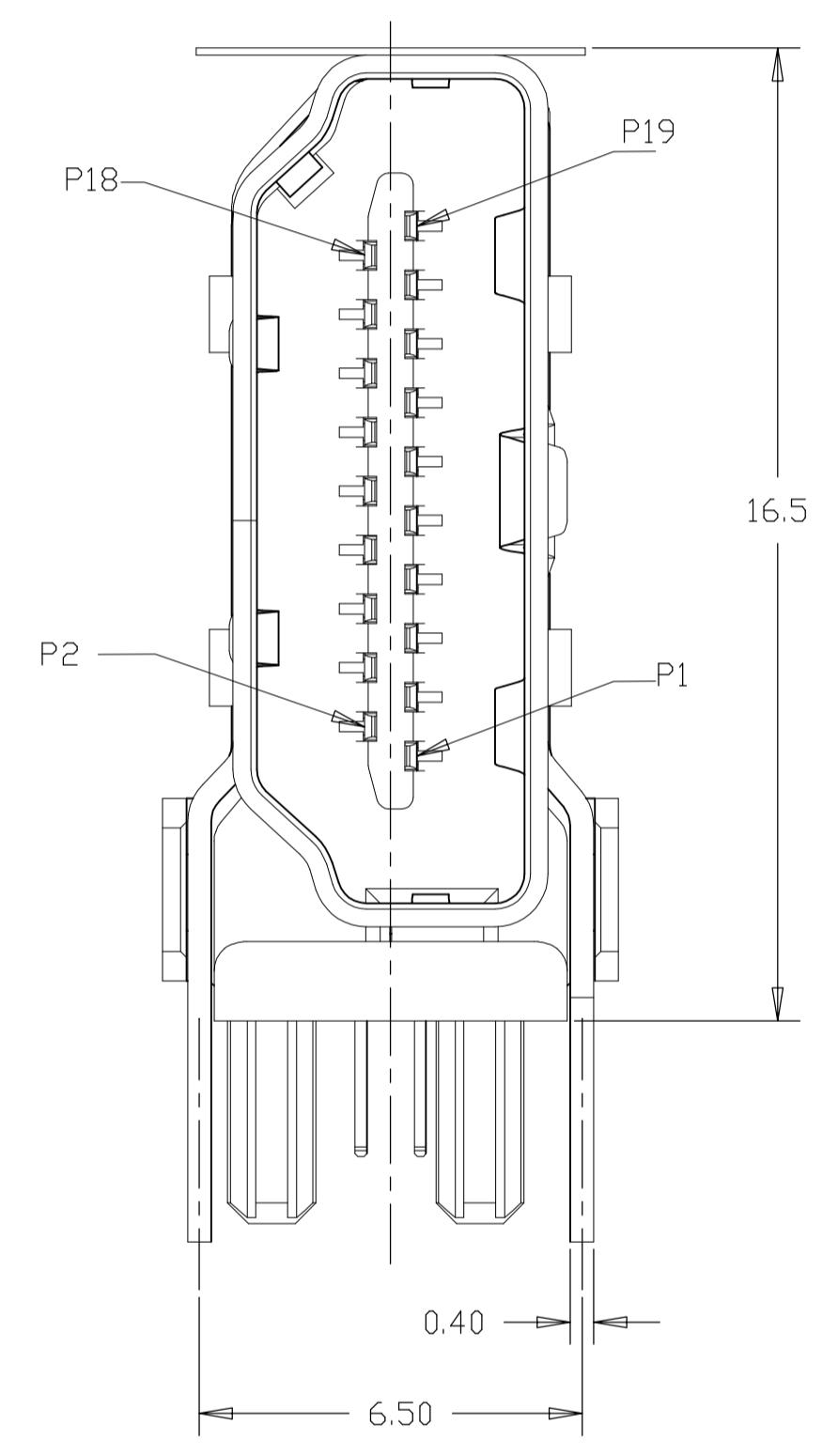


THIS DRAWING IS A CONTROLLED DOCUMENT.		DIN		STE TE Connectivity	
DIMENSIONS: mm		TOLERANCES UNLESS OTHERWISE SPECIFIED:		NAME	
<ul style="list-style-type: none"> <li>0. PLC ± 0.3</li> <li>1. PLC ± 0.25</li> <li>2. PLC ± 0.10</li> <li>3. PLC ± 0.10</li> <li>4. PLC ± 0.10</li> <li>ANGLES ± -</li> </ul>		APVD		HDMI FLAG CONNECTOR ASSEMBLY	
MATERIAL SEE TABLE		FINISH		PRODUCT SPEC	
				APPLICATION SPEC	
				SIZE CAGE CODE DRAWING NO	
				A1 00779 C=2007435	
				RESTRICTED TO	
				CUSTOMER DRAWING	
				SCALE 8:1 SHEET 3 OF 9 REV D	

LOC		DIST		REVISIONS			
P	LTR	DESCRIPTION	DATE	DWN	APVD		
-	-	SEE SHEET 1	-	-	-		

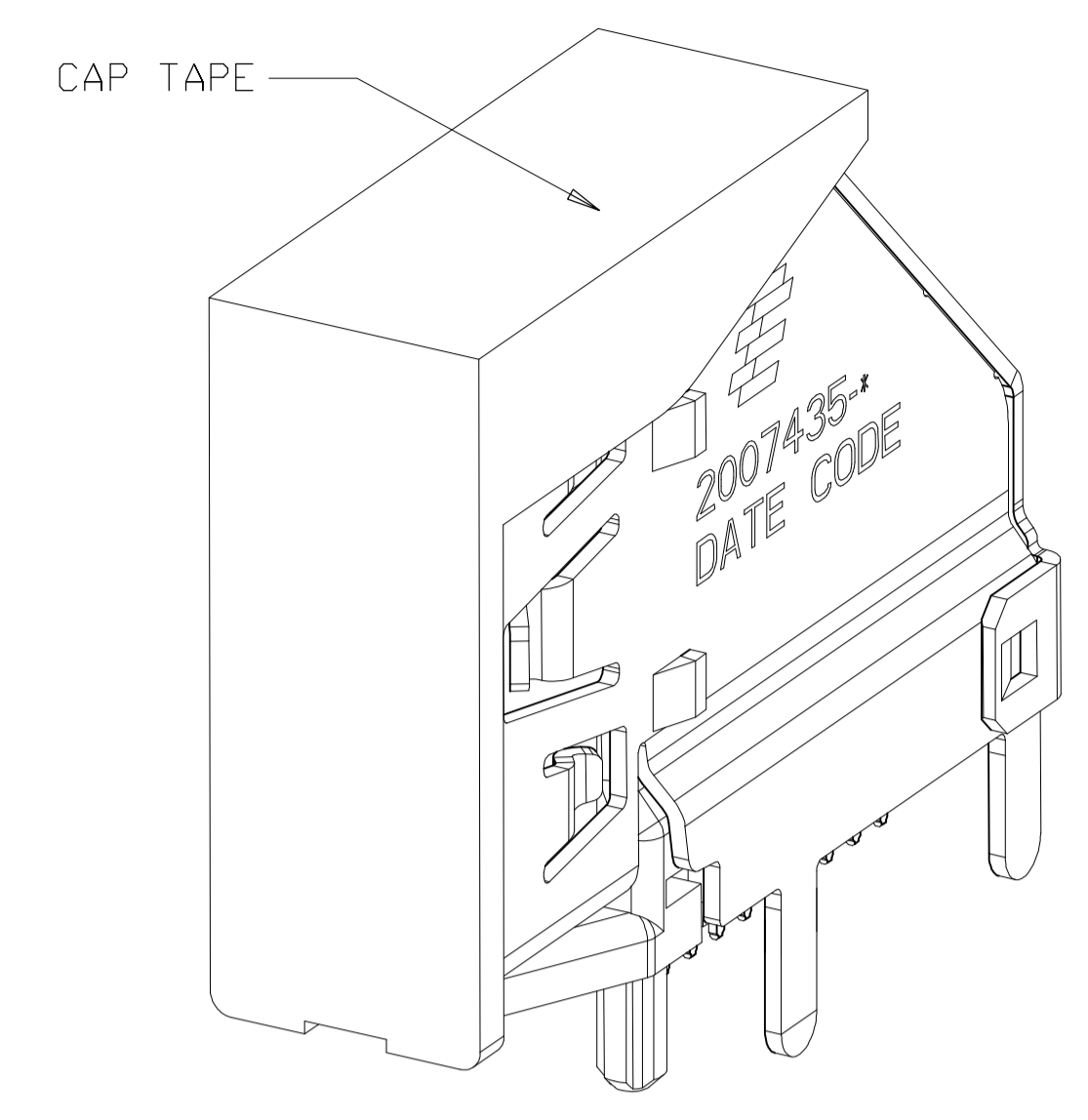
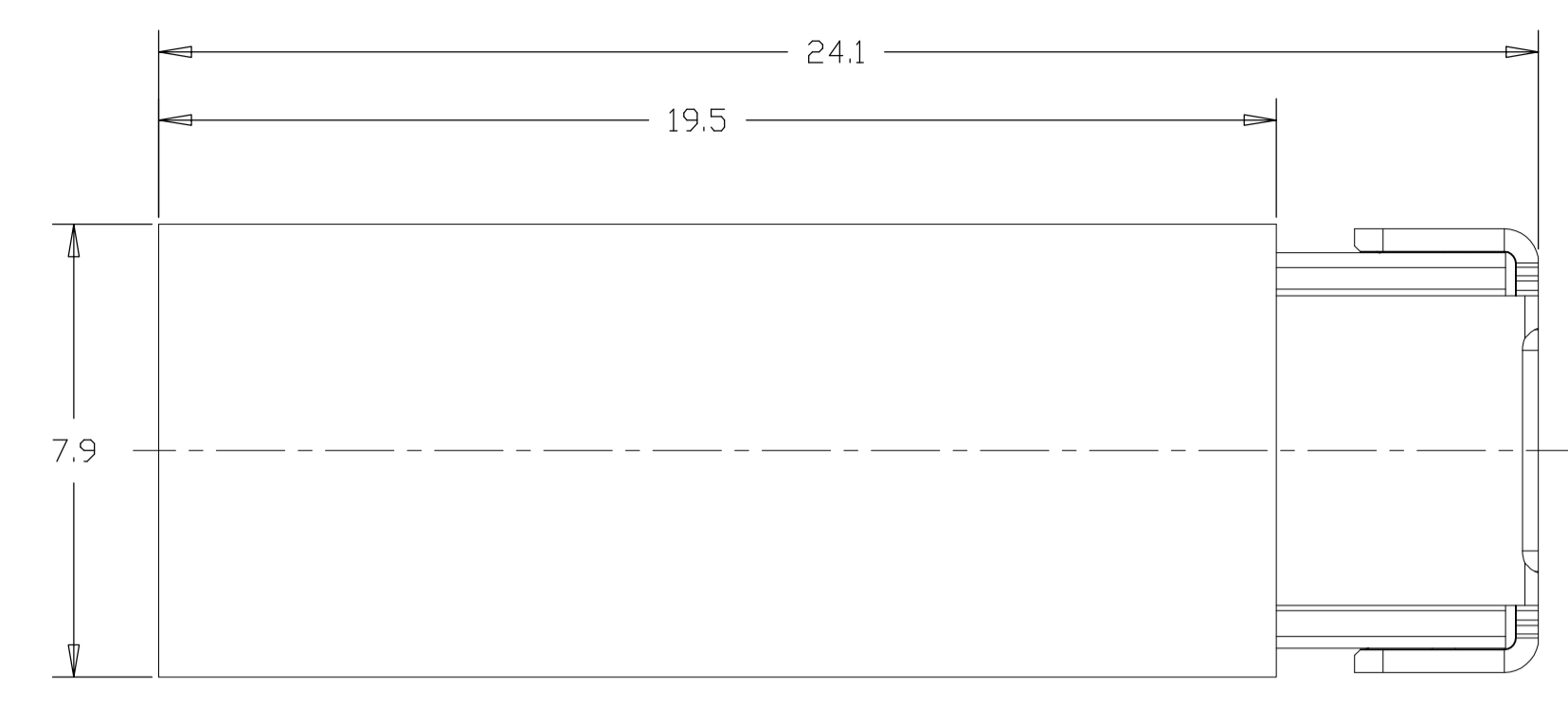


2007435-6 WITH POLYIMIDE TAPE,  
UNMARKED DIMENSIONS SAME AS 2007435-1  
SCALE 6:1



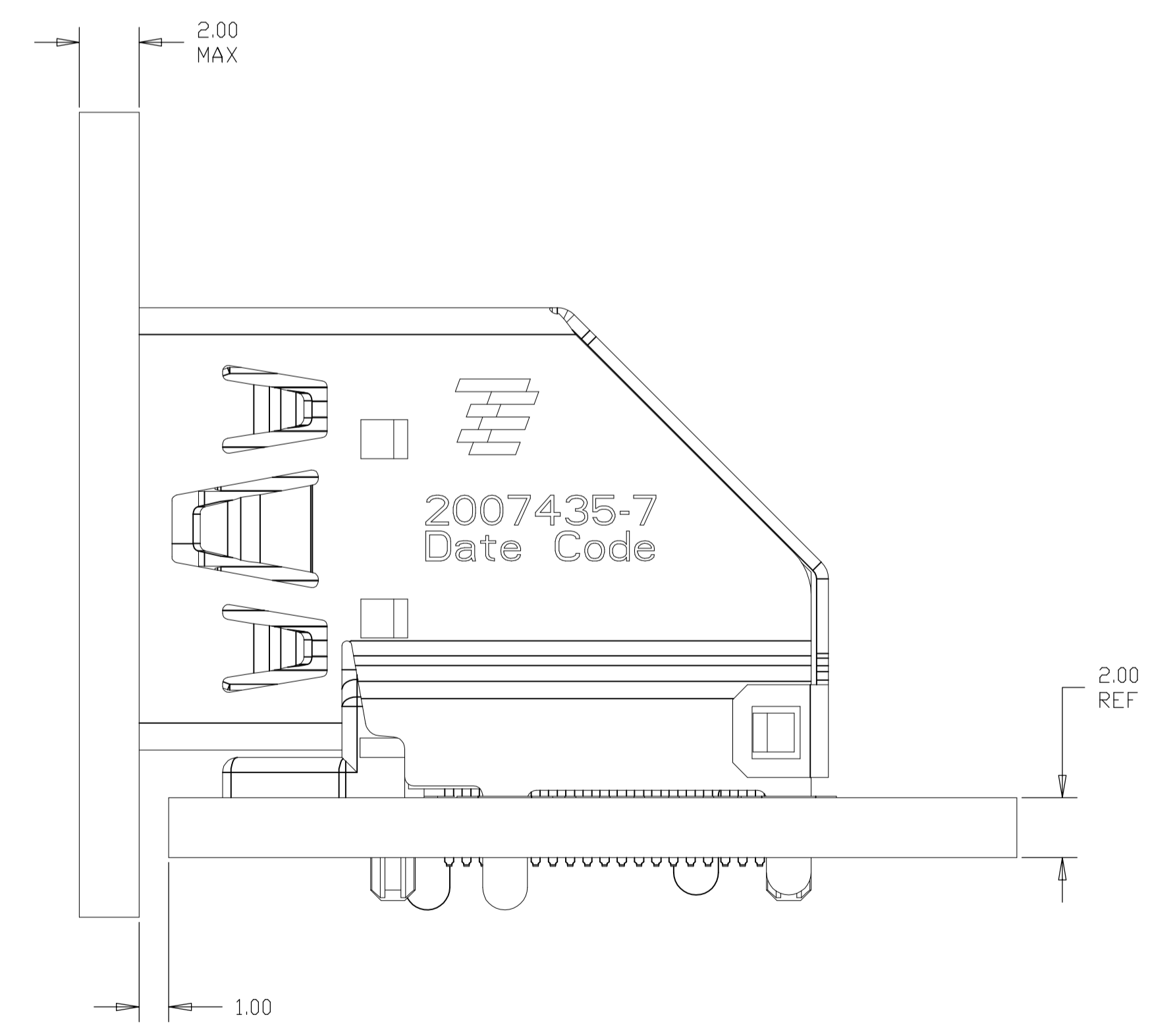
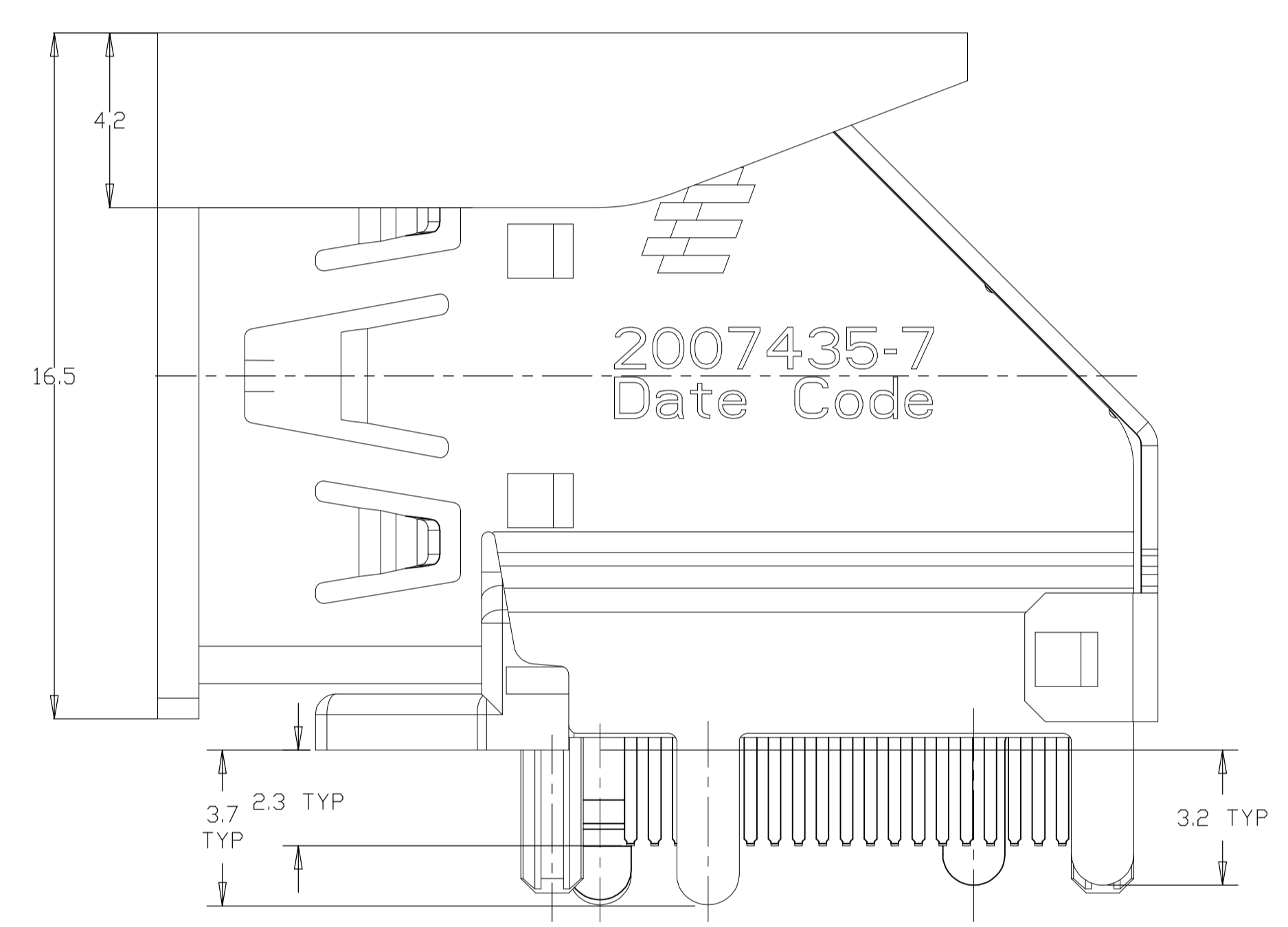
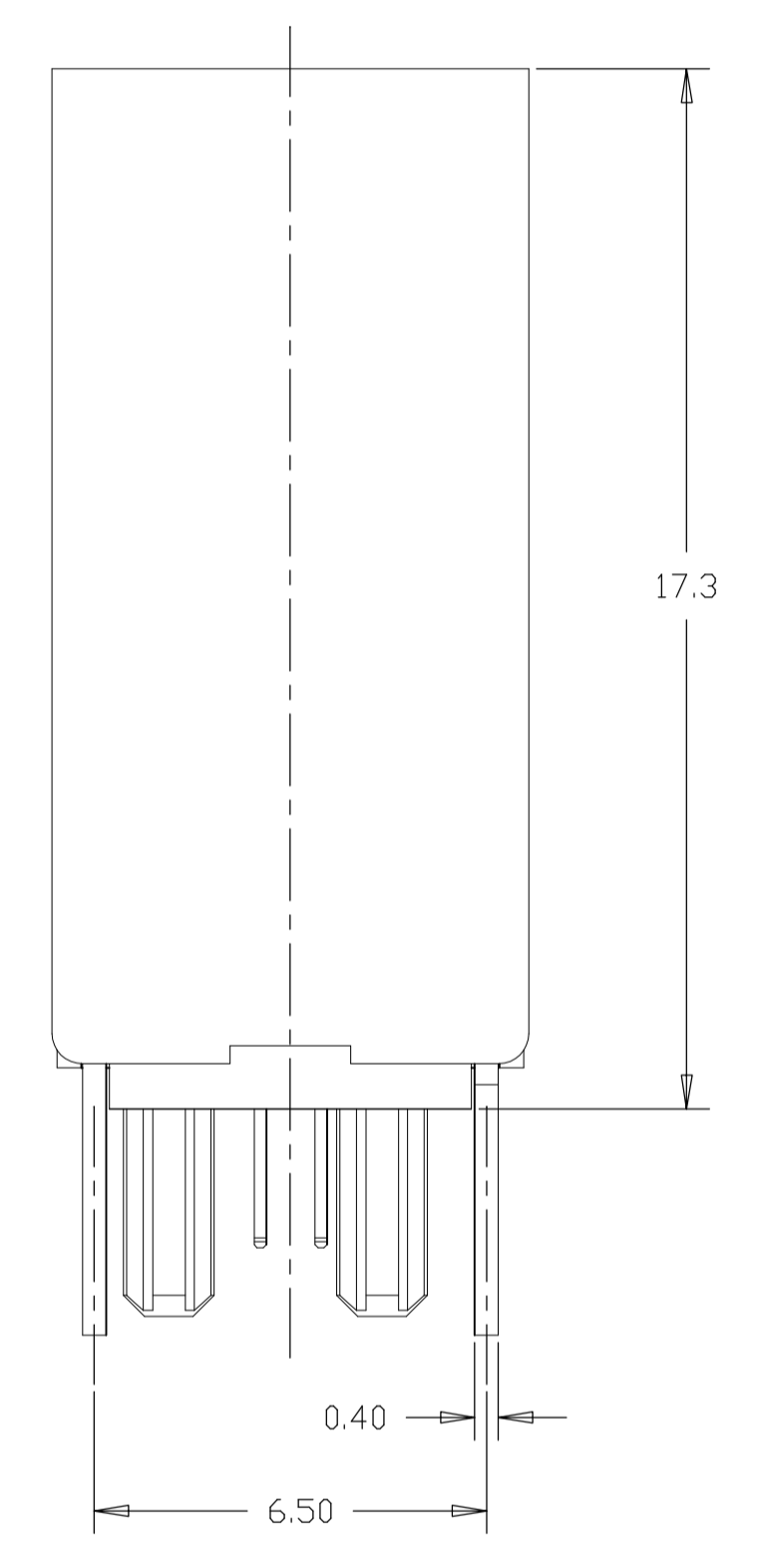
THIS DRAWING IS A CONTROLLED DOCUMENT.		DWN	TE Connectivity	
DIMENSIONS: mm		CHK	NAME	
TOLERANCES UNLESS OTHERWISE SPECIFIED:		APVD	HDMI FLAG CONNECTOR ASSEMBLY	
0. PLC	± 0.3	PRODUCT SPEC	RESTRICTED TO	
1. PLC	± 0.25	APPLICATION SPEC	SIZE	CAGE CODE
2. PLC	± 0.10	WEIGHT	A1	00779
3. PLC	± 0.10	CUSTOMER DRAWING	DRAWING NO. 2007435	
4. PLC	± 0.10	SCALE	8:1	SHEET 4 OF 9
ANGLES	±	REV	D	
FINISH	2			

LOC		DIST		REVISIONS			
P	LTR	DESCRIPTION	DATE	DNW	APVD		
-	-	SEE SHEET 1	-	-	-		

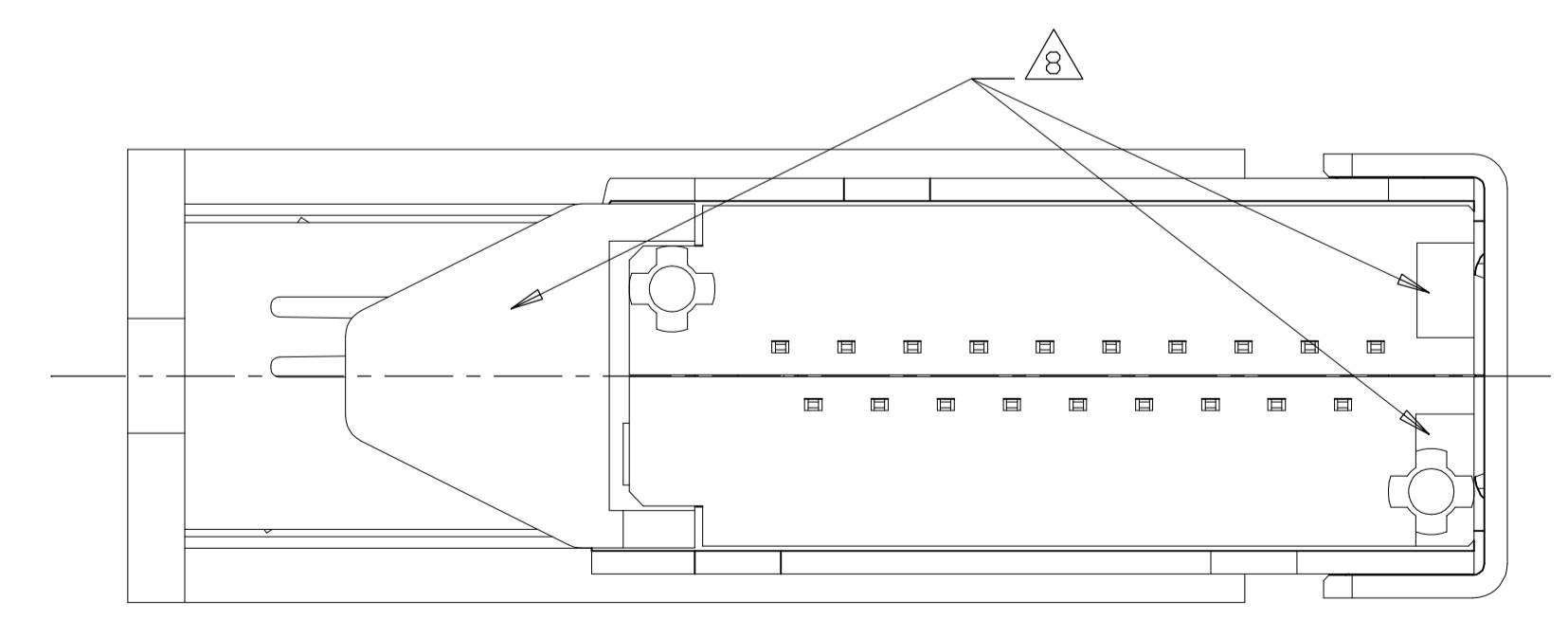


2007435-7 WITH CAP,  
UNMARKED DIMENSIONS SAME AS 2007435-1

SCALE 6:1

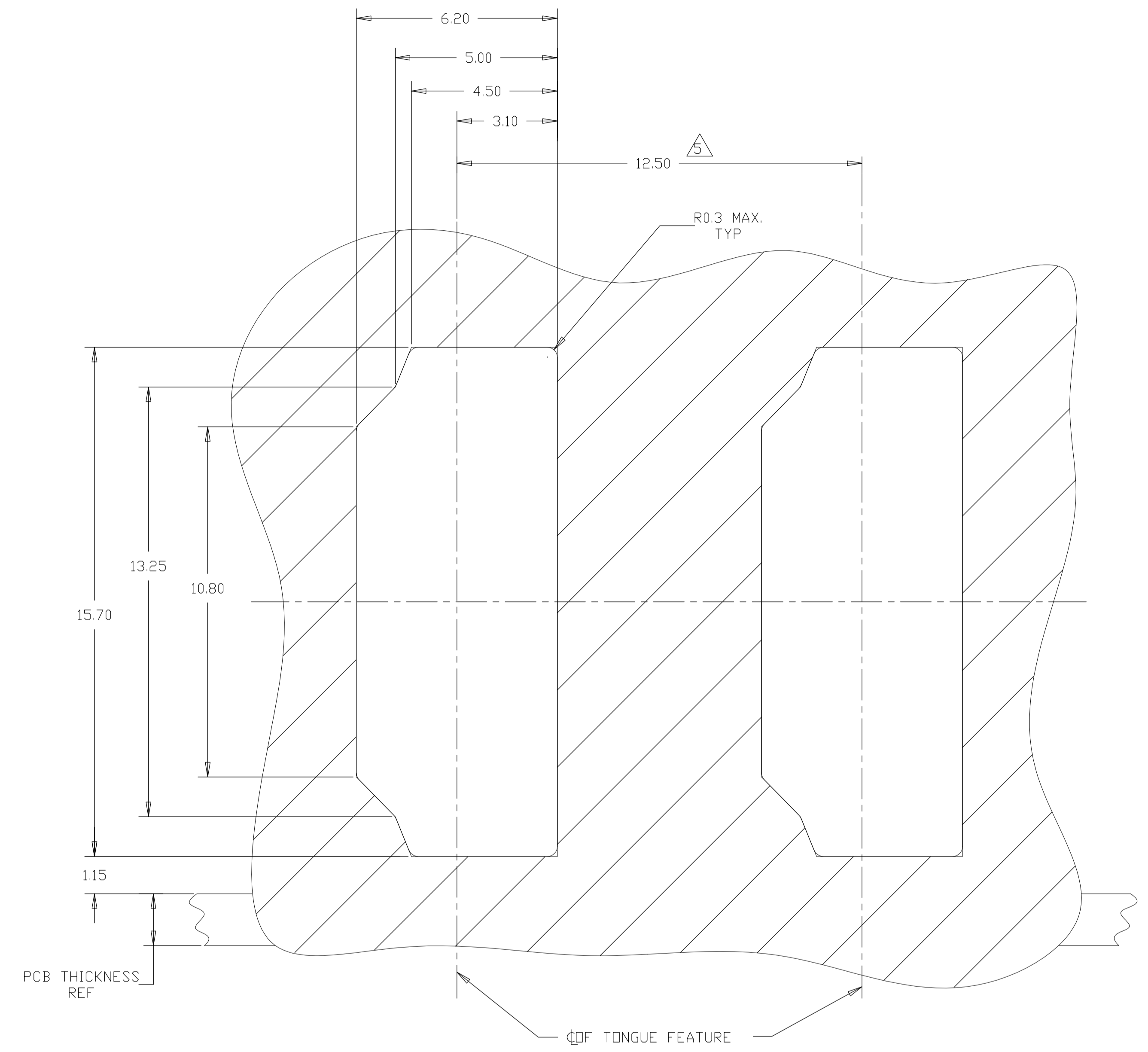
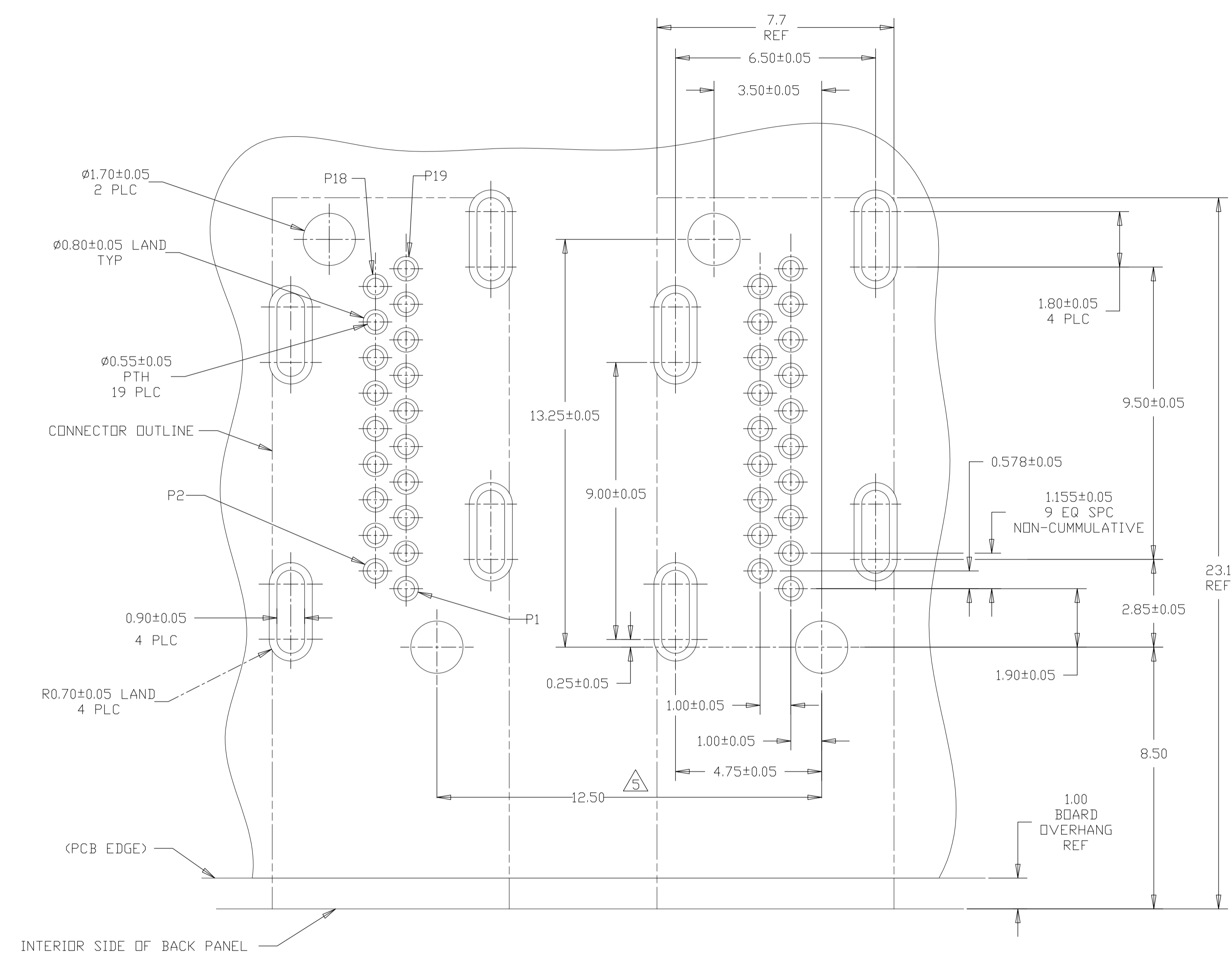


INSTALLED CONDITION  
(ONLY FOR AFTER REMOVE CAP)  
SCALE 6:1



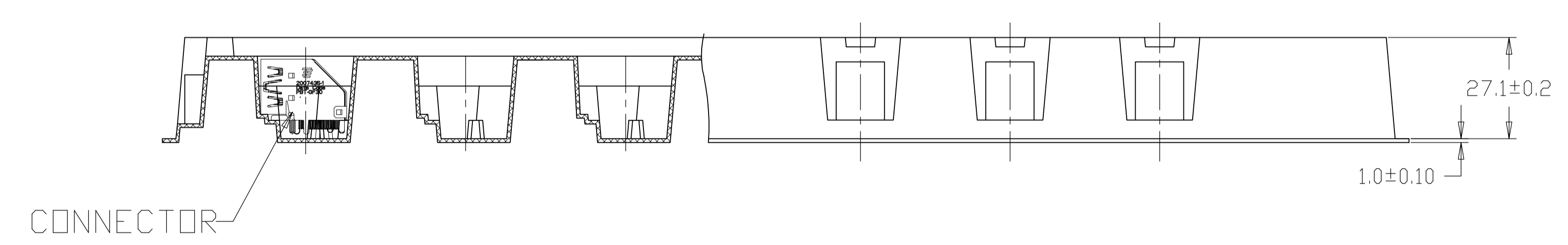
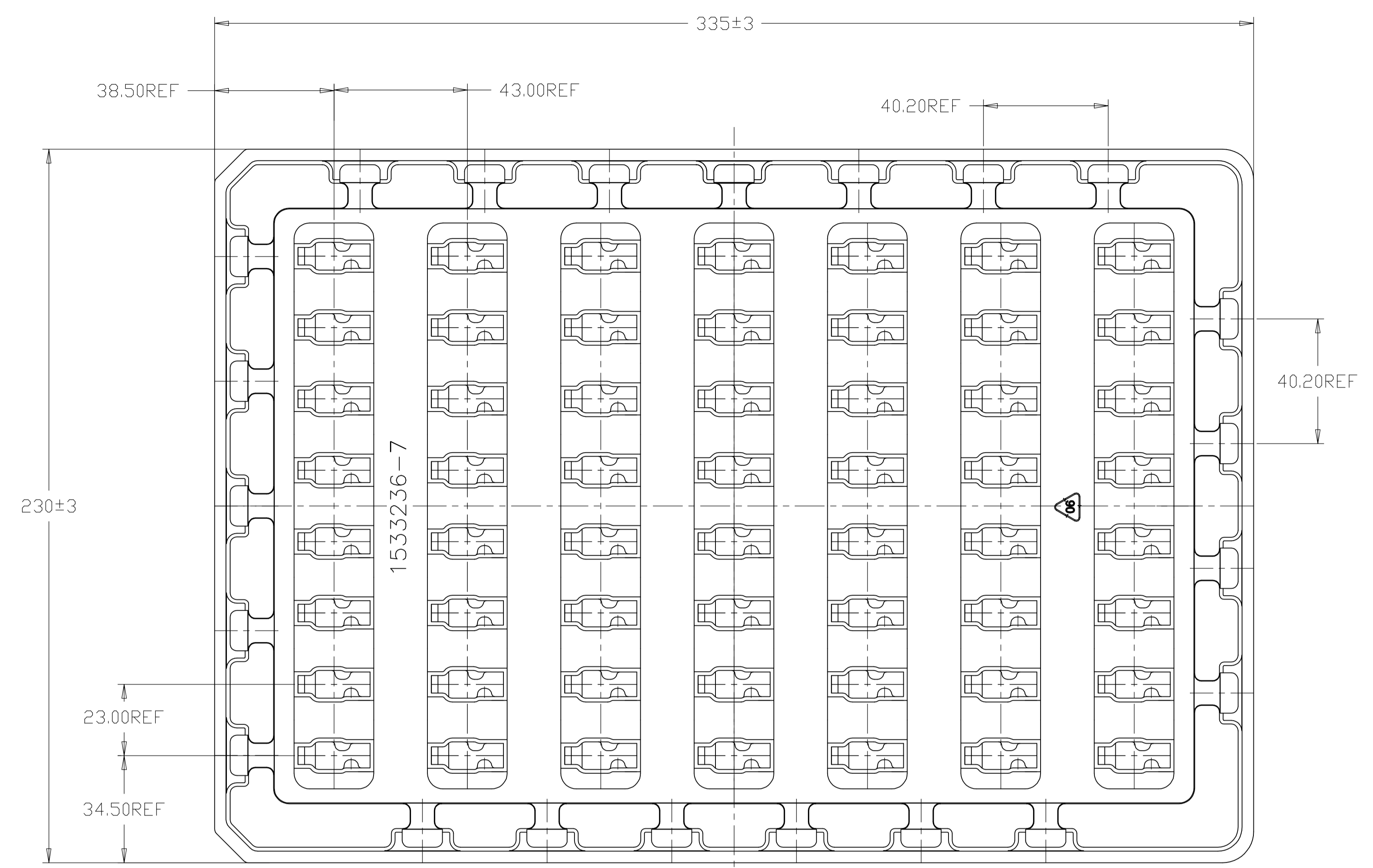
THIS DRAWING IS A CONTROLLED DOCUMENT.		DIN		STE		TE Connectivity	
DIMENSIONS: mm		TOLERANCES UNLESS OTHERWISE SPECIFIED:		NAME		HDMI FLAG CONNECTOR ASSEMBLY	
<ul style="list-style-type: none"> <li>0. PLC ± 0.3</li> <li>1. PLC ± 0.25</li> <li>2. PLC ± 0.10</li> <li>3. PLC ± 0.10</li> <li>4. PLC ± 0.10</li> <li>ANGLES ± -</li> </ul>		<ul style="list-style-type: none"> <li>APVD</li> <li>PRODUCT SPEC</li> <li>APPLICATION SPEC</li> </ul>		SIZE		RESTRICTED TO	
MATERIAL SEE TABLE		FINISH		WEIGHT		A1 00779 C=2007435	
				CUSTOMER DRAWING		SCALE 8:1 SHEET 5 OF 9 REV D	

LOC		DIST		REVISIONS			
#	LTR	DESCRIPTION	DATE	DWN	APVD		
- SEE SHEET 1				-	-		



THIS DRAWING IS A CONTROLLED DOCUMENT.		DWN	TE Connectivity	
DIMENSIONS:	TOLERANCES UNLESS OTHERWISE SPECIFIED:	CHK	NAME	HDMI FLAG CONNECTOR ASSEMBLY
mm	0 PLC ± - 1 PLC ± 0.1 2 PLC ± 0.10 3 PLC ± 0.100 4 PLC ± 0.1000 ANGLES ± -	APVD	PRODUCT SPEC	
			APPLICATION SPEC	
MATERIAL	FINISH	WEIGHT	SIZE	CAGE CODE
			A1	00779
			DRAWING NO	2007435
			RESTRICTED TO	
			CUSTOMER DRAWING	SCALE 8:1 SHEET 6 OF 9 REV D

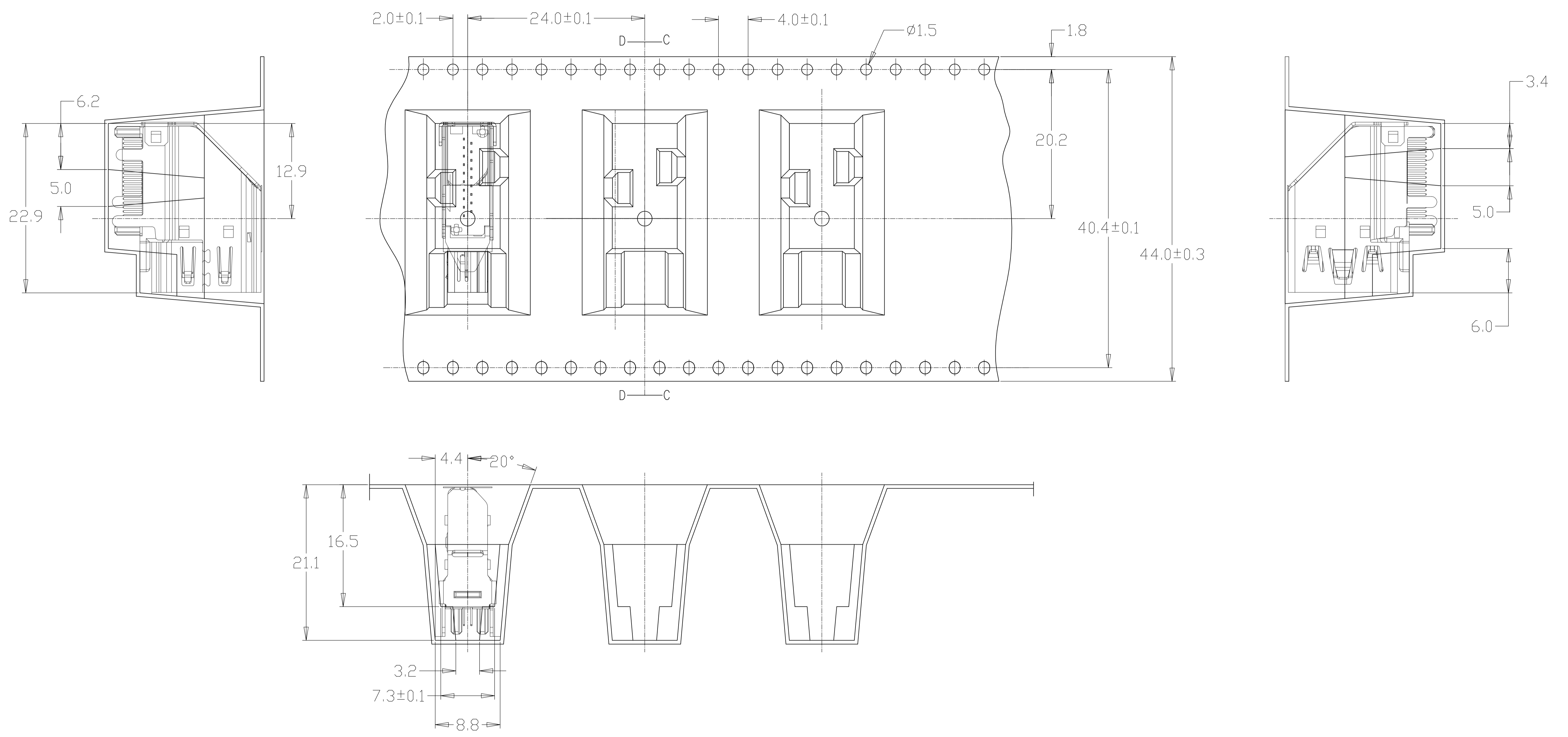
LOC		DIST		REVISIONS			
#	LTR	DESCRIPTION	DATE	DWN	APVD		
-	-	SEE SHEET 1	-	-	-		



PACKAGE TRAY  
 FOR PART NUMBER  
 2007435-1,-2,-3,-4,-5

THIS DRAWING IS A CONTROLLED DOCUMENT.		DWN	TE Connectivity	
DIMENSIONS: mm		CHK	NAME	
TOLERANCES UNLESS OTHERWISE SPECIFIED:		APVD	HDMI FLAG CONNECTOR ASSEMBLY	
0 PLC ± -	1 PLC ± -	PRODUCT SPEC	-	
2 PLC ± -	3 PLC ± -	APPLICATION SPEC	-	
4 PLC ± -	ANGLES ± ±	WEIGHT	-	
MATERIAL	FINISH	SIZE	CAGE CODE	DRAWING NO
		A1	00779	2007435
CUSTOMER DRAWING		SCALE	N/A	SHEET 7 of 9
		REV	D	

LOC		DIST		REVISIONS			
P	LTR	DESCRIPTION	DATE	DWN	APVD		
-	-	SEE SHEET 1	-	-	-	-	-

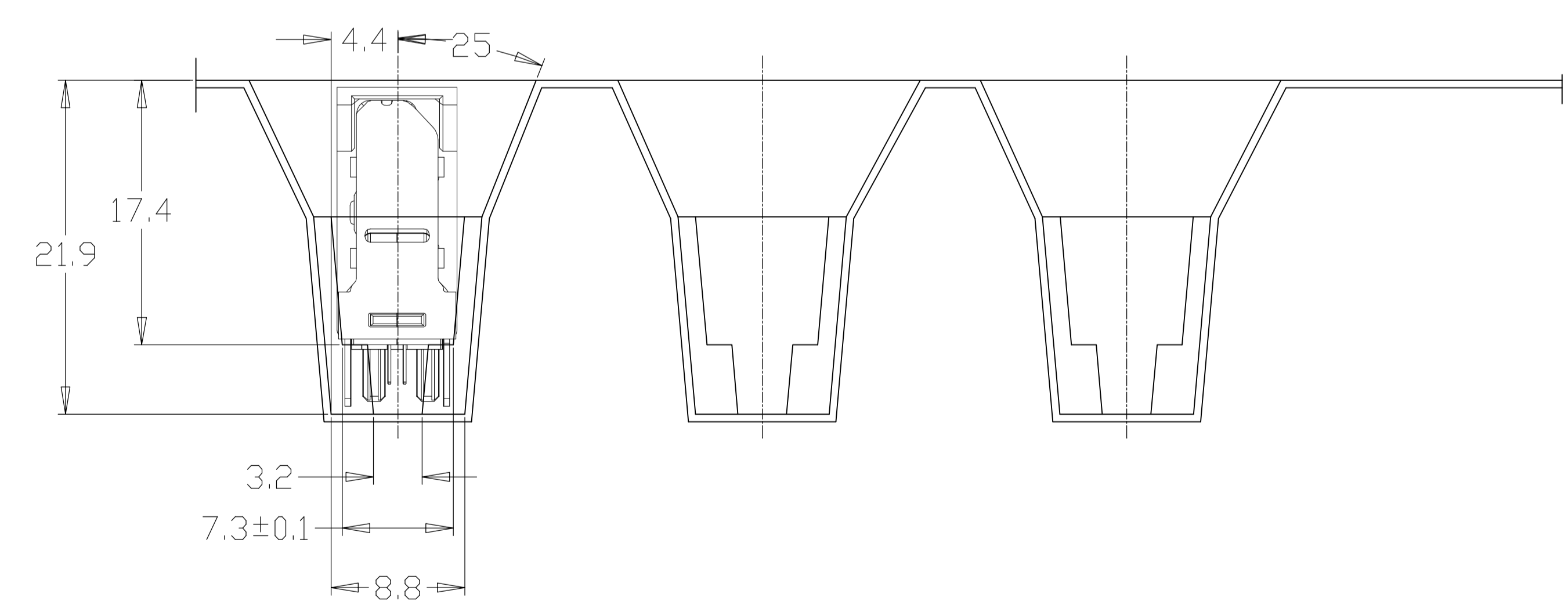
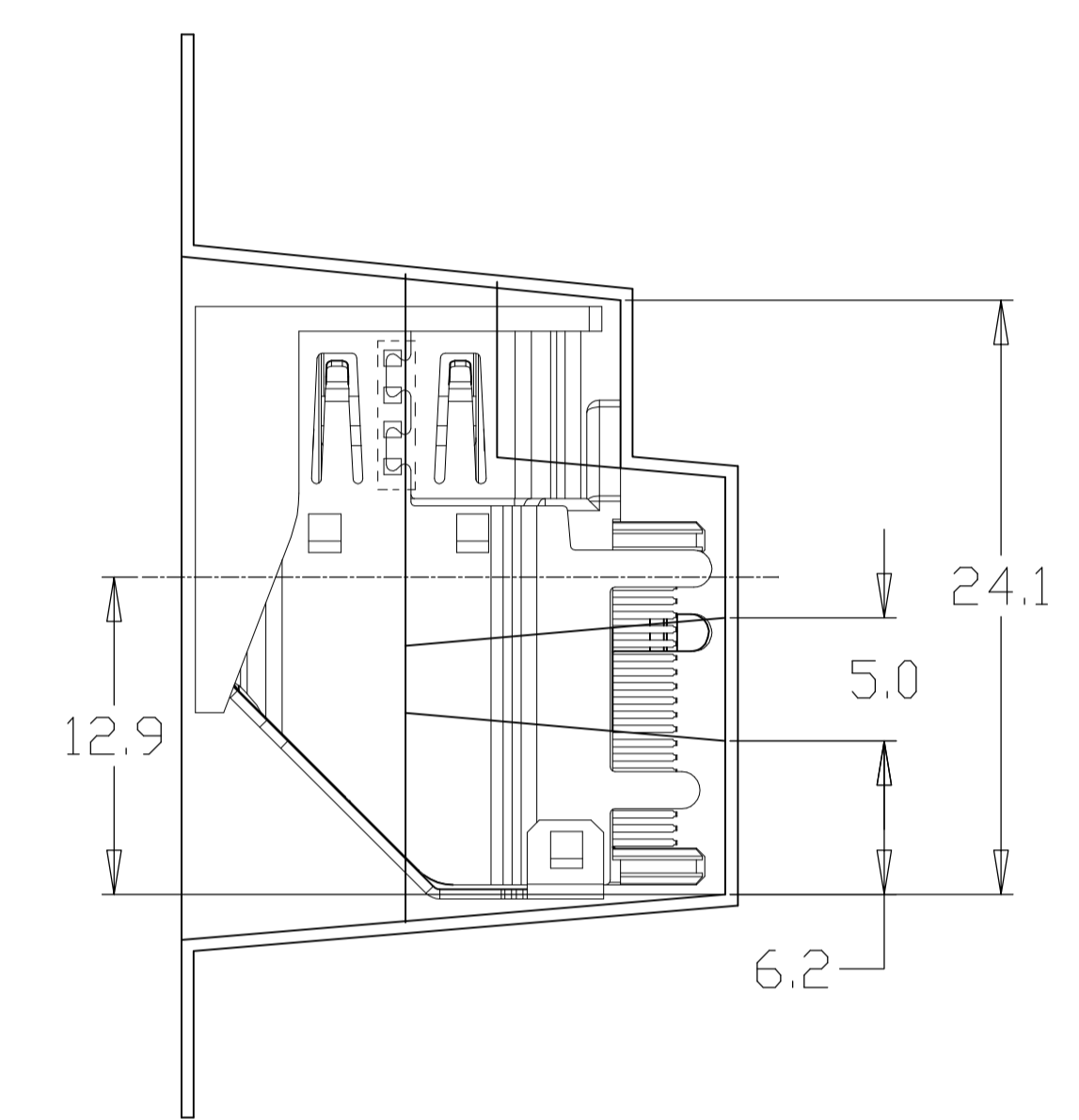
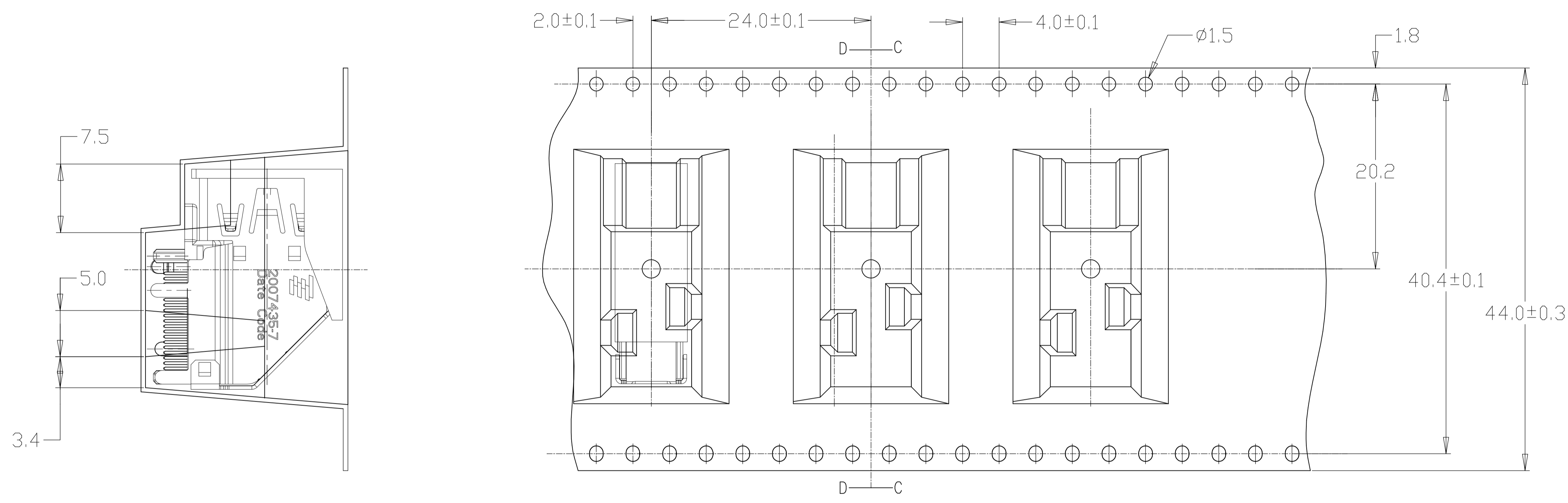


EMBOSS TAPE  
FOR PART NUMBER 2007435-6

THIS DRAWING IS A CONTROLLED DOCUMENT.		DWN	TE Connectivity	
DIMENSIONS: mm		CHK	NAME	
TOLERANCES UNLESS OTHERWISE SPECIFIED:		APVD	HDMI FLAG CONNECTOR ASSEMBLY	
0. PLC ± 0.3		PRODUCT SPEC	-	
1. PLC ± 0.15		APPLICATION SPEC	-	
2. PLC ± 0.10		WEIGHT	-	
3. PLC ± 0.10		SCALE	N/A	
4. PLC ± 0.10		SHEET	8 of 9	
ANGLES ± -		REV	D	
FINISH ± -		CUSTOMER DRAWING		
MATERIAL		SIZE	A1 00779 ©=2007435	
FINISH		RESTRICTED TO		



LOC		DIST		REVISIONS			
P	LTR	DESCRIPTION	DATE	DNW	APVD		
-	-	SEE SHEET 1	-	-	-	-	-



EMBOSS TAPE  
FOR PART NUMBER 2007435-7

THIS DRAWING IS A CONTROLLED DOCUMENT.		DIN		STE TE Connectivity	
DIMENSIONS: mm		CHK		NAME	
TOLERANCES UNLESS OTHERWISE SPECIFIED:		APVD		HDMI FLAG CONNECTOR ASSEMBLY	
0. PLC $\pm 0.3$		PRODUCT SPEC		RESTRICTED TO	
1. PLC $\pm 0.15$		APPLICATION SPEC		SIZE CAGE CODE DRAWING NO	
2. PLC $\pm 0.10$		WEIGHT		A1 00779 C=2007435	
3. PLC $\pm 0.10$		CUSTOMER DRAWING		SCALE N/A SHEET 9 OF 9 REV D	
4. PLC $\pm 0.10$					
ANGLES $\pm 0.10$					
FINISH					