

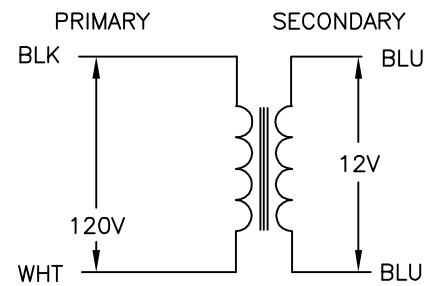
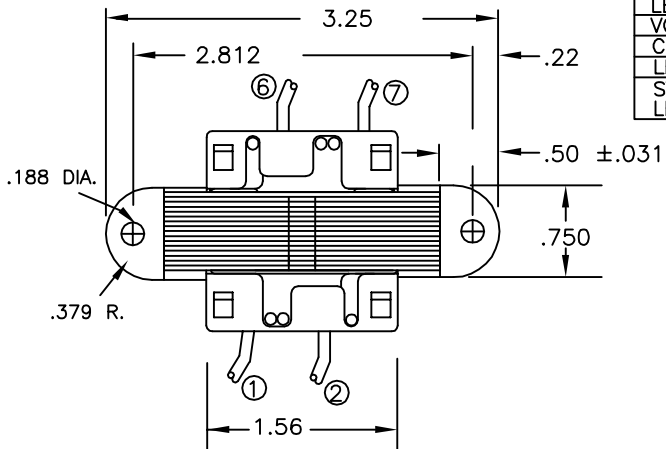
THIS DRAWING IS UNPUBLISHED. RELEASED FOR PUBLICATION
 © COPYRIGHT - BY TYCO ELECTRONICS CORPORATION. ALL RIGHTS RESERVED.

LOC	DIST	REVISIONS					
GZ	00	P	LTR	DESCRIPTION	DATE	DWN	APVD
		A		NEW FORMAT & EC0720-0114-04	23FEB04	MD	KH

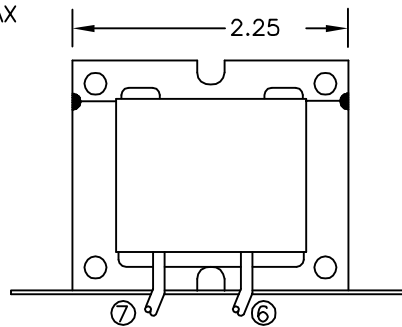
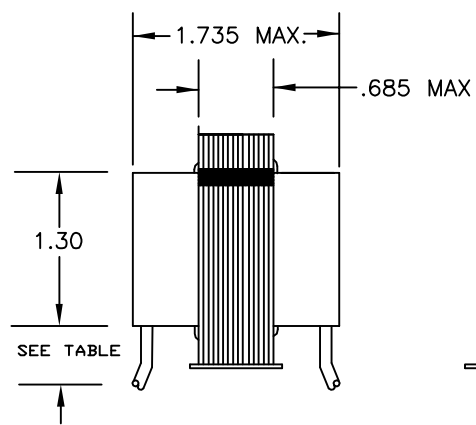
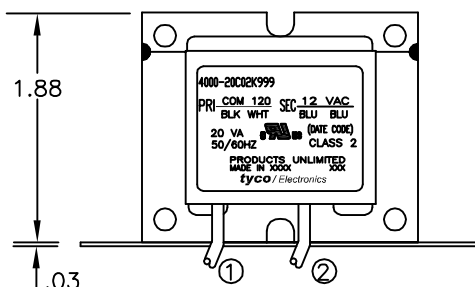
ALL LEADS 18AWG--UNLESS OTHERWISE SPECIFIED					
PRIMARY					
LEAD NO.	1	2	3	4	5
VOLTAGE	COM	120			
COLOR	BLK	WHT			
LENGTH	12.0	12.0			
STRIP LENGTH	.50	.50			

- NOTES
1. DIMENSIONS FOR REFERENCE ONLY.
 2. ALL LEADS +1"/-0" TOL.
 3. STRIP TOL. ±1/32
 4. WINDING PROTECTION--INHERENTLY LIMITING

CERTIFICATION: UL & CUL FILE NO. E87824				
SECONDARY				
LEAD NO.	6	7	8	9
VOLTAGE	12	VAC		
COLOR	BLU	BLU		
LENGTH	12.0	12.0		
STRIP LENGTH	.50	.50		



SCHMATIC



THIS DRAWING IS A CONTROLLED DOCUMENT.

DIMENSIONS:	TOLERANCES UNLESS OTHERWISE SPECIFIED:
INCHES	
	0 PLC ± -
	1 PLC ± -
	2 PLC ± -
	3 PLC ± -
	4 PLC ± -
	ANGLES ± 1°

MATERIAL	FINISH
-	-

DWN	M.DAVIS	23FEB04
CHK	K.HOLSCHUH	23FEB04
APVD	K.HOLSCHUH	23FEB04
PRODUCT SPEC	-	-
APPLICATION SPEC	-	-
WEIGHT	-	-
CUSTOMER DRAWING		

CUST. NO.		TYCO PART NUMBER	
-		5-1611457-7	
		Tyco Electronics Corporation	
- UNLIMITED		Harrisburg, Pa 17105-3608	
NAME			
TRANSFORMER OUTLINE			
-			
SIZE	CAGE CODE	DRAWING NO	RESTRICTED TO
A3	00779	C=4000-20C02K999	-
SCALE		SHEET	REV
NTS		1 OF 1	A